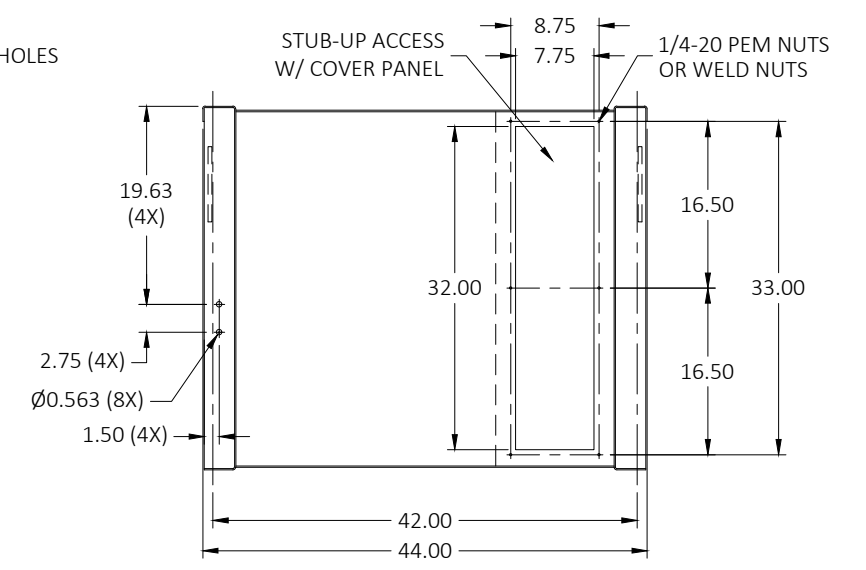
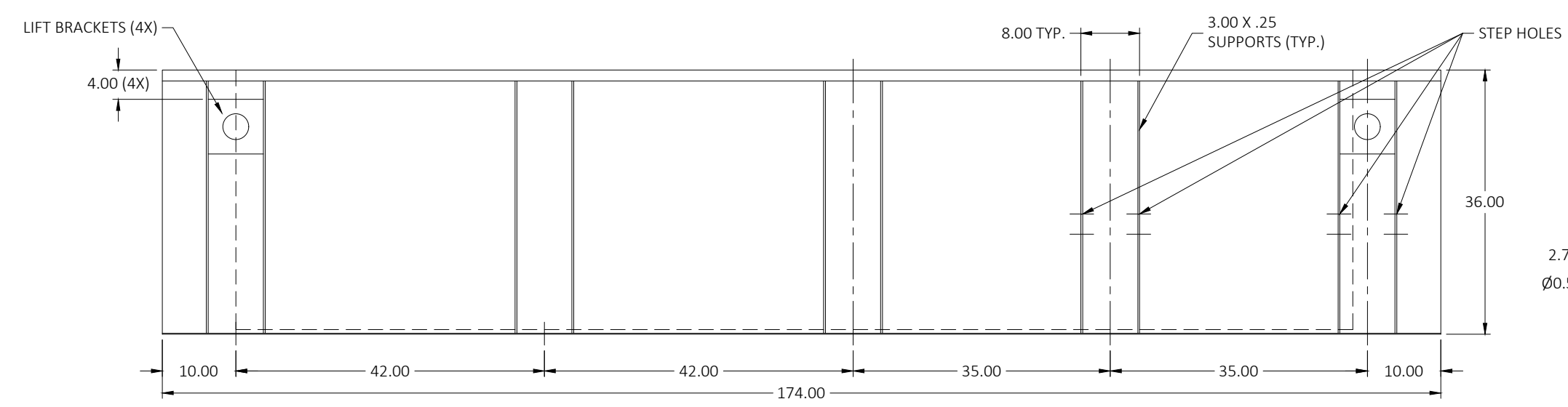
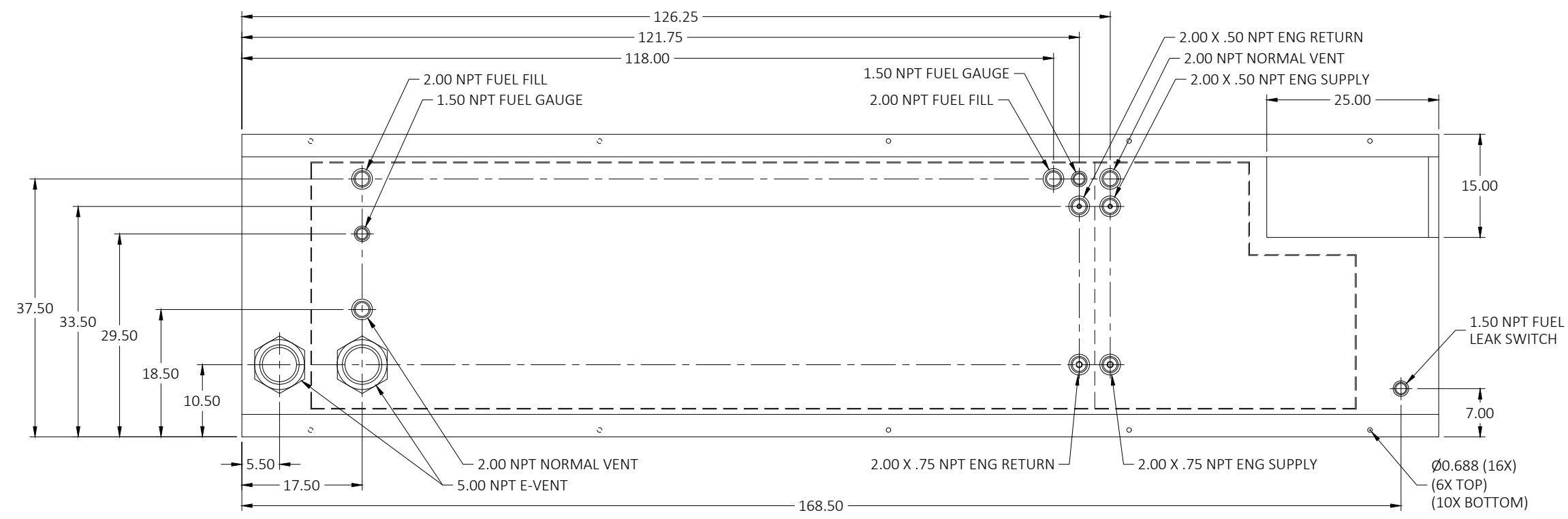


72HR / 750GL FUEL TANK  
 JD80-02, JD100-01, JD125-02  
 PD80-01, PD100-01  
 LV0 / LV1 / LV2 / LV3



- NOTES:
1. MATERIAL: PER UL/ULC REQUIREMENTS
  2. SECONDARY CONTAINMENT TANK
  3. TANK TO INCLUDE:
    - FUEL SUPPLY/RETURN DIP TUBES
    - LIFTING/TIE DOWN BRACKETS

MATERIAL: SEE NOTES FINISH: BLACK HAMMERED

REMOVE ALL BURRS AND SHARP EDGES  
 TOLERANCE UNLESS OTHER SPECIFIED:  
 FRACTIONAL: ± 1/32  
 ANGULAR: ± 1°  
 X.X = ± .1  
 X.XX = ± .03  
 X.XXX = ± .010

R05	ADDED ULC TO DESCRIPTION	01-22-20	MGH
LEVEL:	DESCRIPTION:	DATE:	BY:
REVISIONS:			
THE INFORMATION CONTAINED IN THIS DRAWING IS THE SOLE PROPERTY OF BLUE STAR POWER SYSTEMS, INC. ANY REPRODUCTION, IN PART OR AS A WHOLE, WITHOUT THE WRITTEN PERMISSION IS PROHIBITED.			
2250 CARLSON DRIVE, NORTH MANKATO, MINNESOTA 56003   1 507 345 1776			
<b>TANK SB 750GL DW SC UL/ULC W/ STUB-UP</b>			
	NAME	DATE	SIZE PART NUMBER:
	DRAWN BY: CRC	12-06-22	<b>B</b> 19896
	APPROVED: CRC	12-06-22	SCALE: NONE APPROX. WEIGHT: 2,650LBS SHEET 1 OF 1