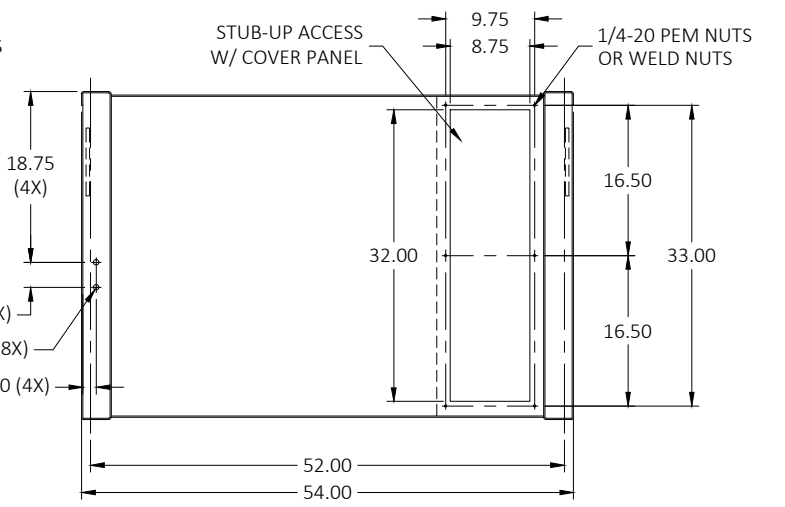
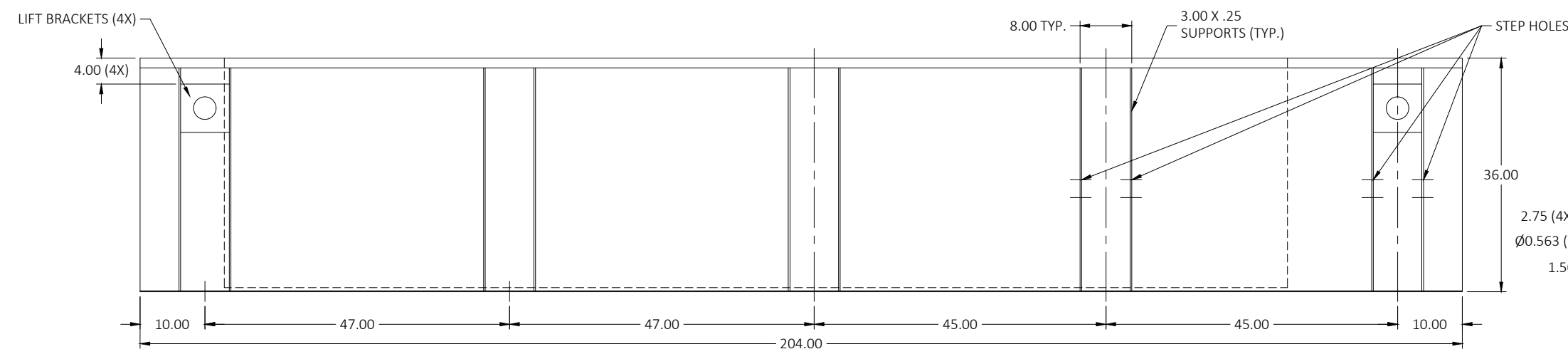
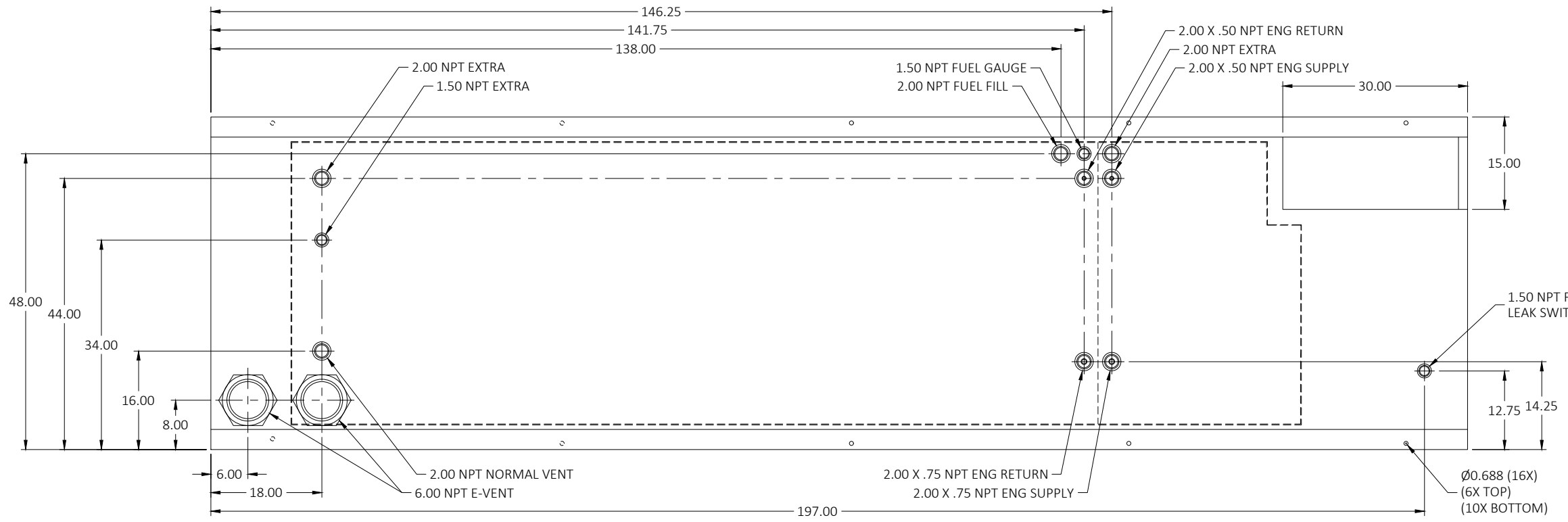


72HR / 1,125GL FUEL TANK
 JD150-01, JD200-01
 PD150-01, PD180-01, PD200-01
 LV0 / LV1 / LV2 / LV3



- NOTES:
 1. MATERIAL: PER UL/ULC REQUIREMENTS
 2. SECONDARY CONTAINMENT TANK
 3. TANK TO INCLUDE:
 -FUEL SUPPLY/RETURN DIP TUBES
 -LIFTING/TIE DOWN BRACKETS

MATERIAL: SEE NOTES FINISH: BLACK HAMMERED

REMOVE ALL BURRS AND SHARP EDGES
 TOLERANCE UNLESS OTHER SPECIFIED:
 FRACTIONAL: ± 1/32
 ANGULAR: ± 1°
 X.X = ± .1
 X.XX = ± .03
 X.XXX = ± .010

R07	MOVE VENTS & ADD 1.50 & 2.00 NPT EXTRA FITTINGS	01-05-23	CRC
LEVEL:	DESCRIPTION:	DATE:	BY:
REVISIONS:			
THE INFORMATION CONTAINED IN THIS DRAWING IS THE SOLE PROPERTY OF BLUE STAR POWER SYSTEMS, INC. ANY REPRODUCTION, IN PART OR AS A WHOLE, WITHOUT THE WRITTEN PERMISSION IS PROHIBITED.			
BLUE STAR Power Systems Inc. 2250 CARLSON DRIVE, NORTH MANKATO, MINNESOTA 56003 1 507 345 1776			
TANK SB 1125GL DW SC UL/ULC W/ STUB-UP			
	NAME	DATE	SIZE PART NUMBER:
	DRAWN BY: CRC	12-07-22	B 19997
	APPROVED: CRC	12-07-22	SCALE: NONE APPROX. WEIGHT: 3,050 LBS SHEET 1 OF 1