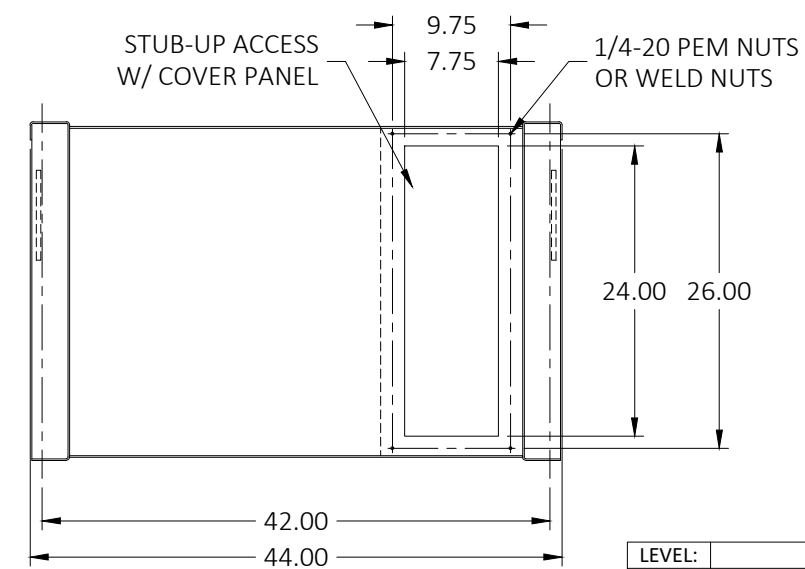
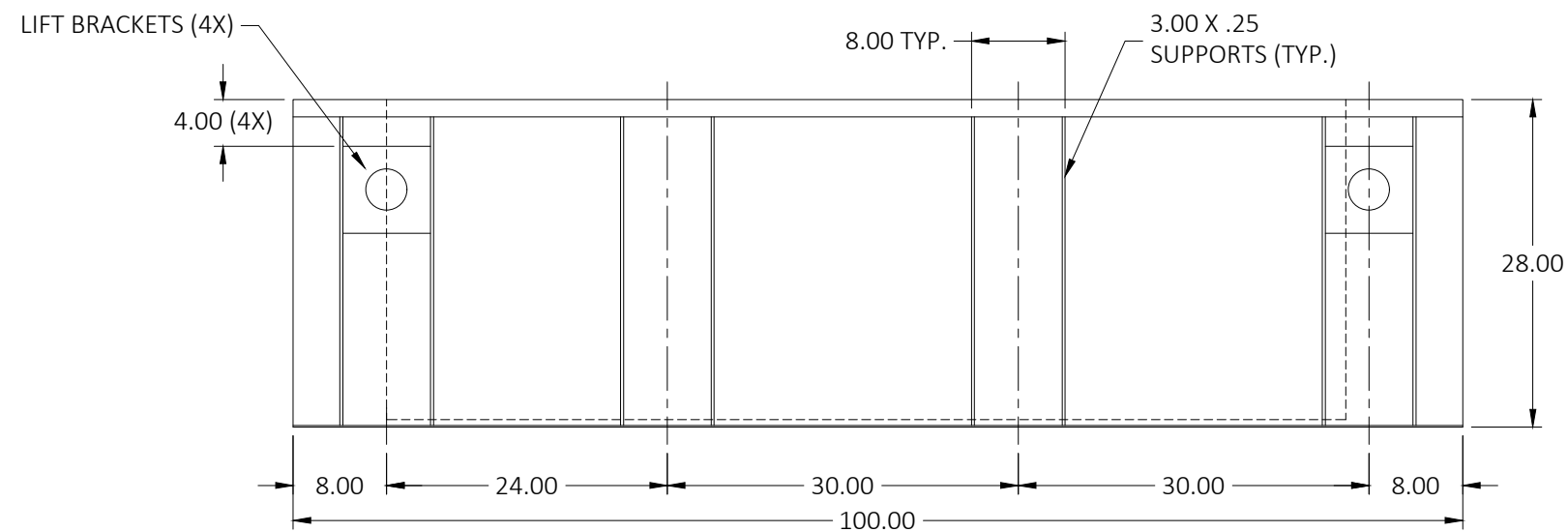
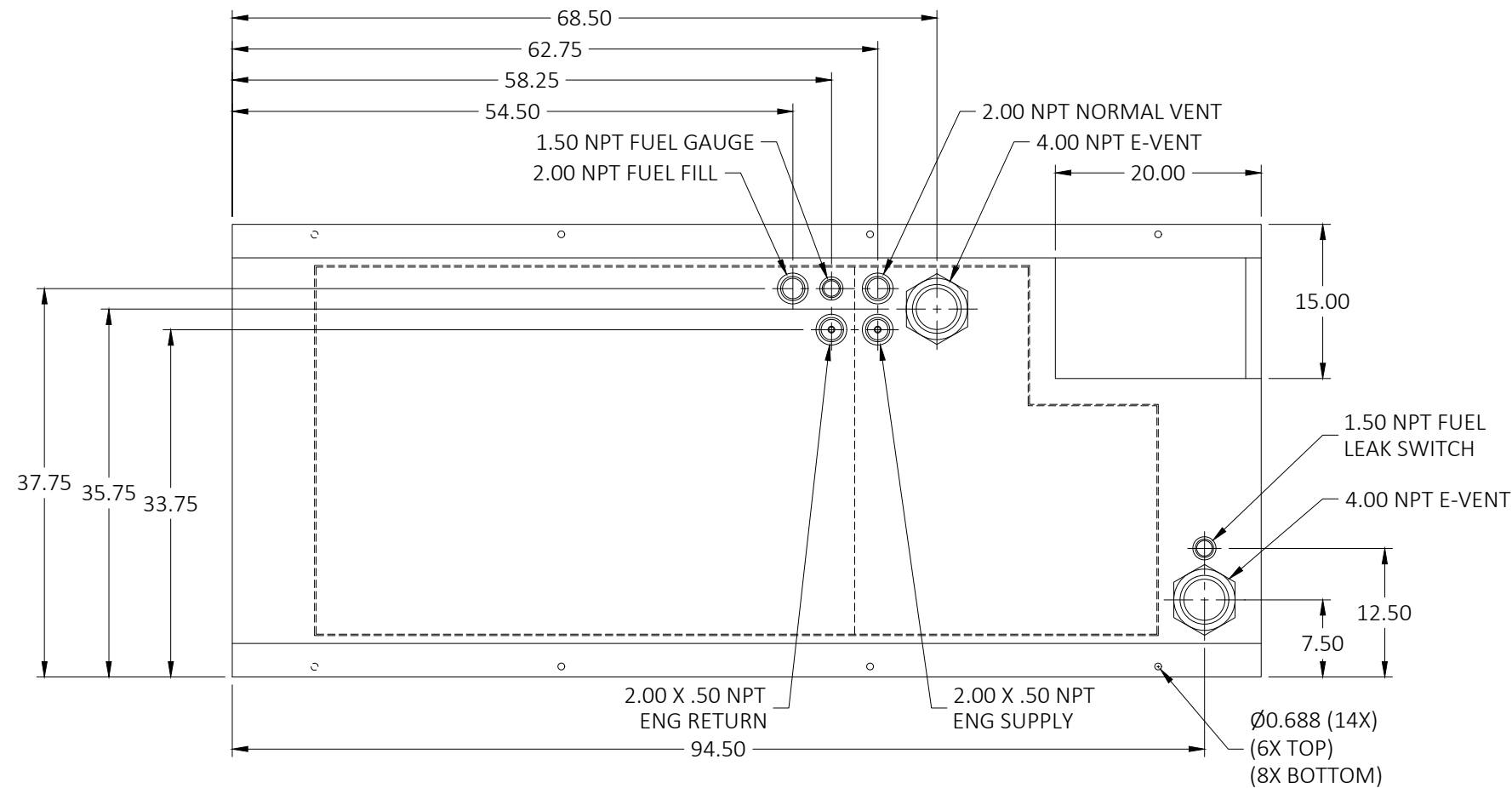


48HR / 300GL FUEL TANK
 JD40-05FT4
 LV0 / LV1 / LV2 / LV3



NOTES:

1. MATERIAL: PER UL/ULC REQUIREMENTS
2. SECONDARY CONTAINMENT TANK
3. TANK TO INCLUDE:
 - FUEL SUPPLY/RETURN DIP TUBES
 - LIFTING/TIE DOWN BRACKETS

MATERIAL: SEE NOTES

FINISH: BLACK HAMMERED

| | |
|--|-----------------------------------|
| | REMOVE ALL BURRS AND SHARP EDGES |
| | TOLERANCE UNLESS OTHER SPECIFIED: |
| | FRACTIONAL: ± 1/32 |
| | ANGULAR: ± 1° |
| | X.X = ± .1 |
| | X.XX = ± .03 |
| | X.XXX = ± .010 |
| | DIMENSIONS ARE IN INCHES |
| | DO NOT SCALE DRAWING |

| LEVEL: | DESCRIPTION: | DATE: | BY: |
|---|---------------|----------|--|
| REVISIONS: | | | |
| <small>THE INFORMATION CONTAINED IN THIS DRAWING IS THE SOLE PROPERTY OF BLUE STAR POWER SYSTEMS, INC. ANY REPRODUCTION, IN PART OR AS A WHOLE, WITHOUT THE WRITTEN PERMISSION IS PROHIBITED.</small> | | | |
| BLUE STAR Power Systems Inc. | | | |
| <small>2250 CARLSON DRIVE, NORTH MANKATO, MINNESOTA 56003 1 507 345 1776</small> | | | |
| TANK SB 300GL DW SC UL/ULC W/ STUB-UP | | | |
| | NAME | DATE | SIZE PART NUMBER: |
| | DRAWN BY: CRC | 12-06-22 | B 25764 |
| | APPROVED: CRC | 12-06-22 | SCALE: NONE APPROX. WEIGHT: 1,450 LBS SHEET 1 OF 1 |