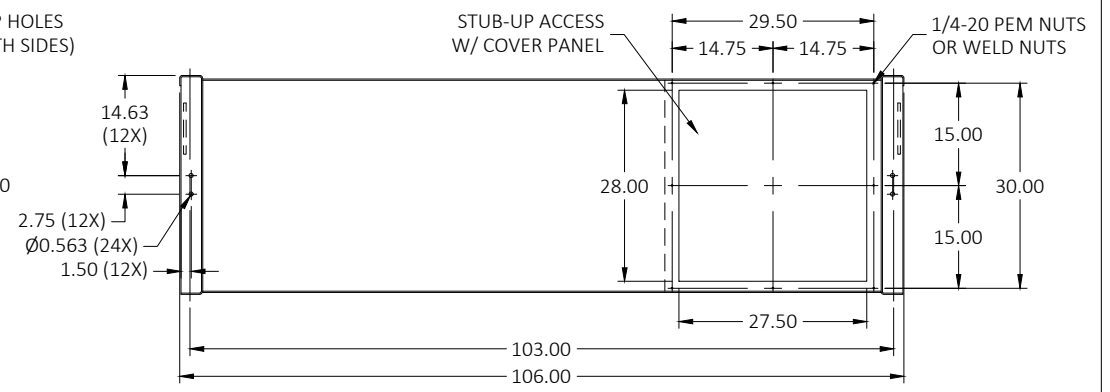
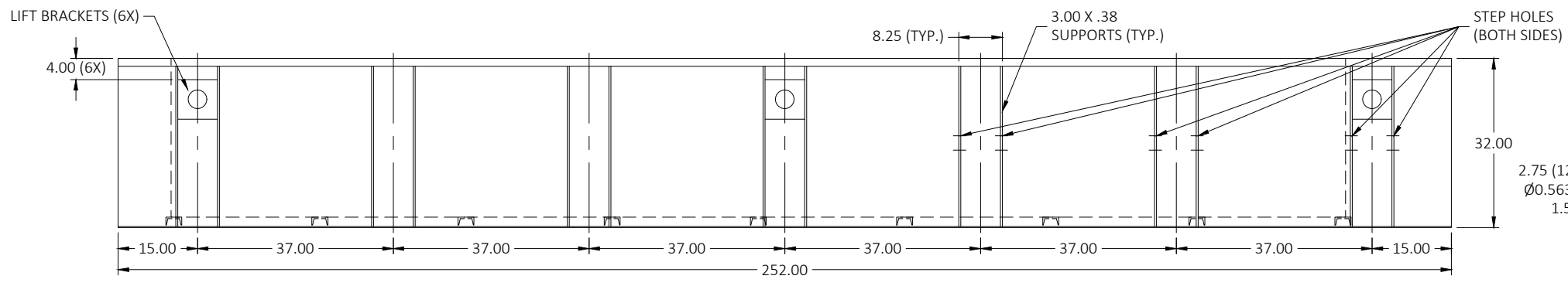
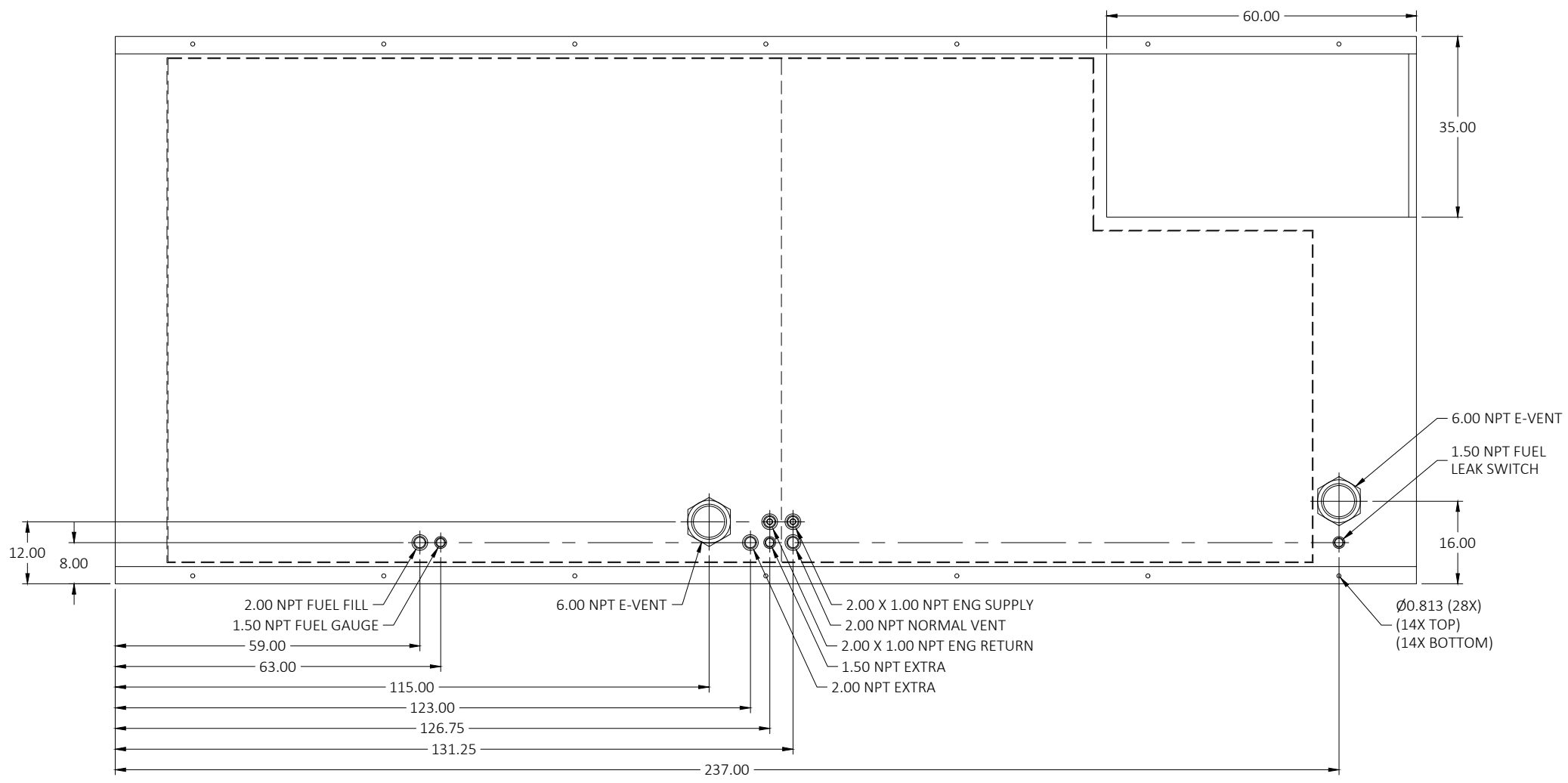


24HR / 2,500GL FUEL TANK
MD1250-01
LVO / LV1 / LV2



- NOTES:
1. MATERIAL: PER UL/ULC REQUIREMENTS
 2. SECONDARY CONTAINMENT TANK
 3. TANK TO INCLUDE:
 - FUEL SUPPLY/RETURN DIP TUBES
 - LIFTING/TIE DOWN BRACKETS

MATERIAL: SEE NOTES FINISH: BLACK HAMMERED

R01	ADDED STEP HOLES	04-14-20	KAP
LEVEL:	DESCRIPTION:	DATE:	BY:
REVISIONS:			
<small>THE INFORMATION CONTAINED IN THIS DRAWING IS THE SOLE PROPERTY OF BLUE STAR POWER SYSTEMS, INC. ANY REPRODUCTION, IN PART OR AS A WHOLE, WITHOUT THE WRITTEN PERMISSION IS PROHIBITED.</small>			
<small>2250 CARLSON DRIVE, NORTH MANKATO, MINNESOTA 56003 1 507 345 1776</small>			
TANK SB 2500GL DW SC UL/ULC W/ STUB-UP			
	NAME	DATE	SIZE PART NUMBER:
	CRC	12-12-22	B 21061
	APPROVED:	CRC	SCALE: NONE APPROX. WEIGHT: 8,250 LBS SHEET 1 OF 1

REMOVE ALL BURRS AND SHARP EDGES

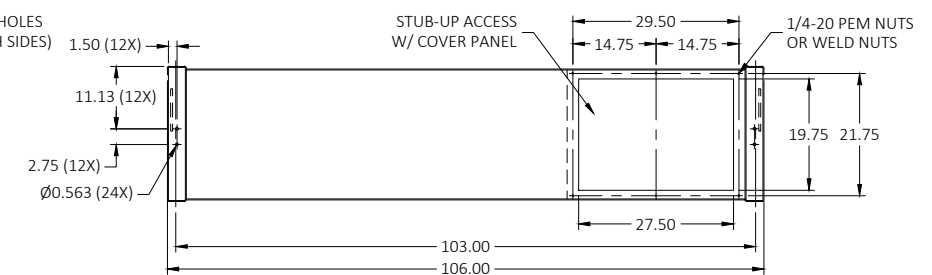
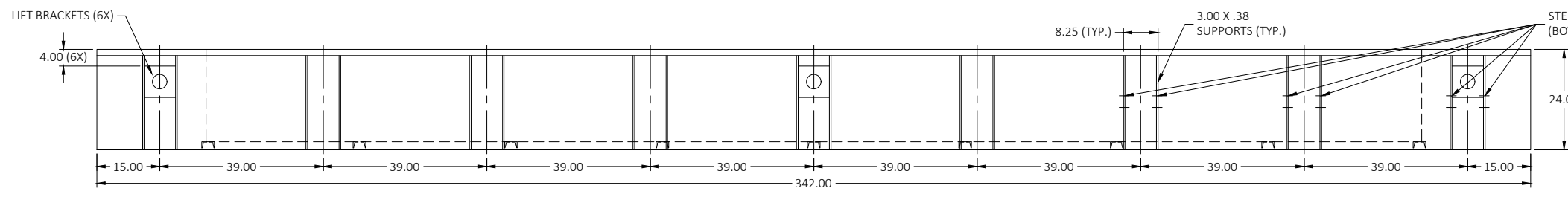
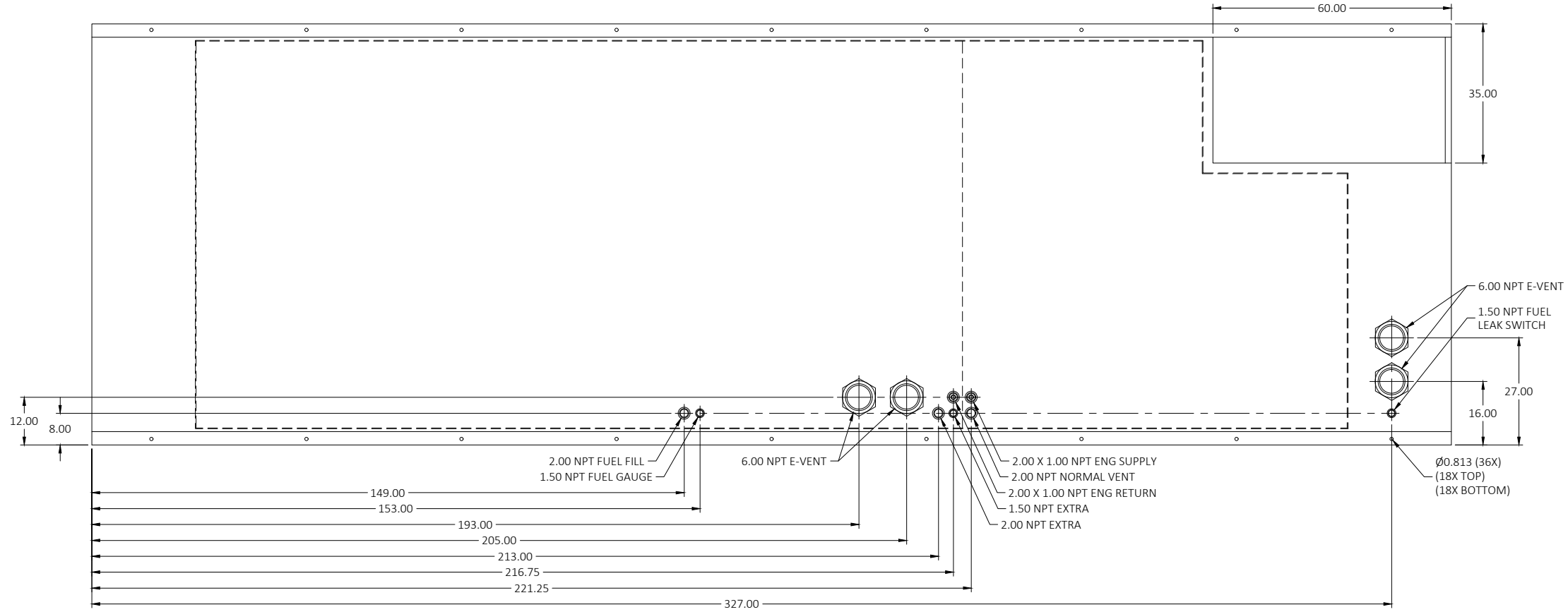
TOLERANCE UNLESS OTHER SPECIFIED:

FRACTIONAL: ± 1/32
ANGULAR: ± 1°
X.X = ± .1
X.XX = ± .03
X.XXX = ± .010

DIMENSIONS ARE IN INCHES

DO NOT SCALE DRAWING

24HR / 2,500GL FUEL TANK
MD1250-01
LV3



- NOTES:
1. MATERIAL: PER UL/ULC REQUIREMENTS
 2. SECONDARY CONTAINMENT TANK
 3. TANK TO INCLUDE:
 - FUEL SUPPLY/RETURN DIP TUBES
 - LIFTING/TIE DOWN BRACKETS

MATERIAL: SEE NOTES FINISH: BLACK HAMMERED

R01	ADDED STEP HOLES	05-01-20	KAP
LEVEL:	DESCRIPTION:	DATE:	BY:

REVISIONS:
THE INFORMATION CONTAINED IN THIS DRAWING IS THE SOLE PROPERTY OF BLUE STAR POWER SYSTEMS, INC. ANY REPRODUCTION, IN PART OR AS A WHOLE, WITHOUT THE WRITTEN PERMISSION IS PROHIBITED.

REMOVE ALL BURRS AND SHARP EDGES
TOLERANCE UNLESS OTHER SPECIFIED:
FRACTIONAL: ± 1/32
ANGULAR: ± 1°
X.X = ± .1
X.XX = ± .03
X.XXX = ± .010
DIMENSIONS ARE IN INCHES
DO NOT SCALE DRAWING



TANK SB 2500GL DW SC UL/ULC W/ STUB-UP

NAME	DATE	SIZE	PART NUMBER:
CRC	12-12-22	B	21064
APPROVED:	CRC	SCALE: NONE	APPROX. WEIGHT: 9,900 LBS

SHEET 1 OF 1