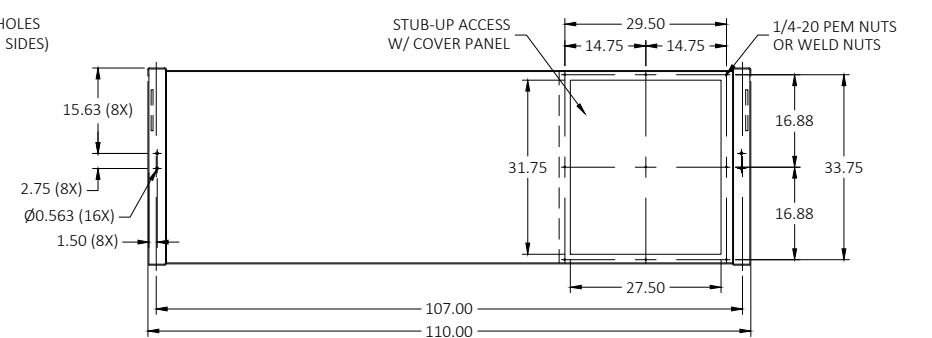
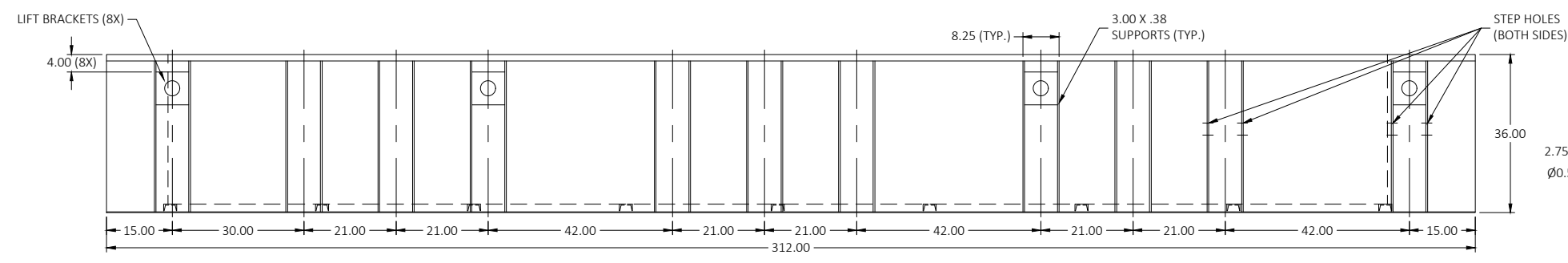
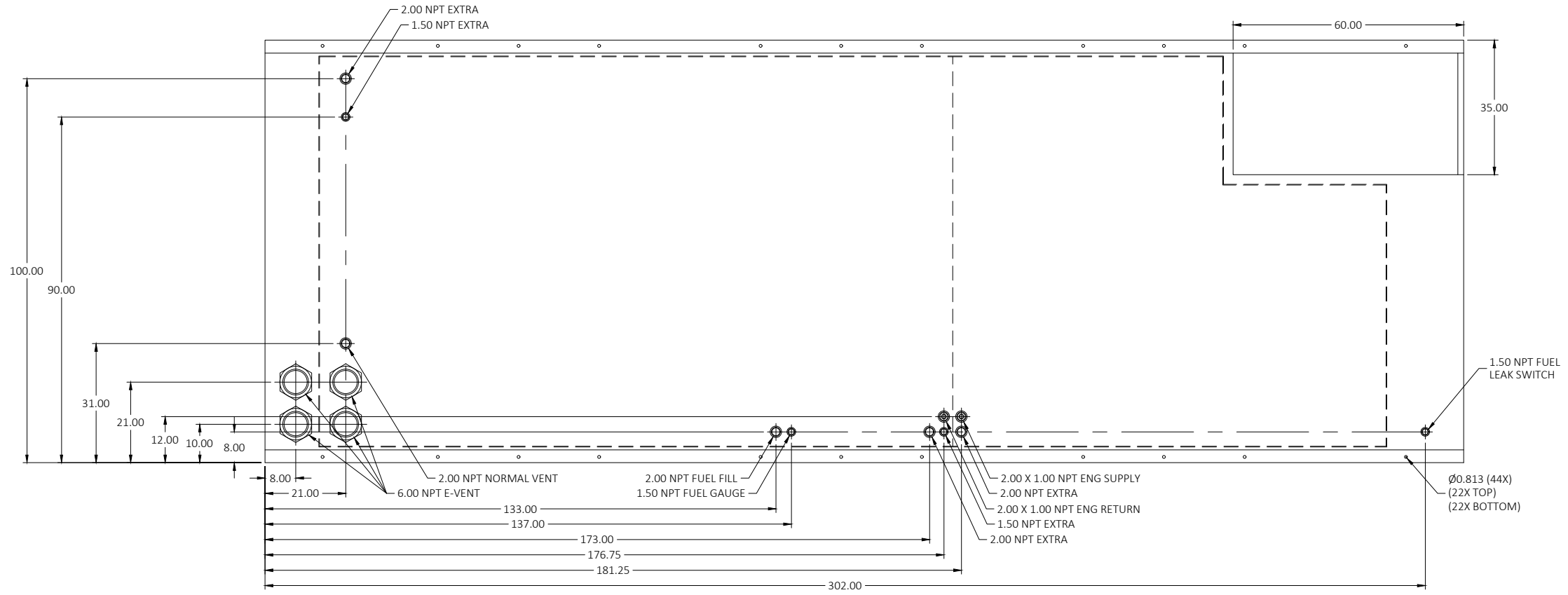


24HR / 3,850GL FUEL TANK
 MD1600-01, MD2000-01
 LV0 / LV1 / LV2



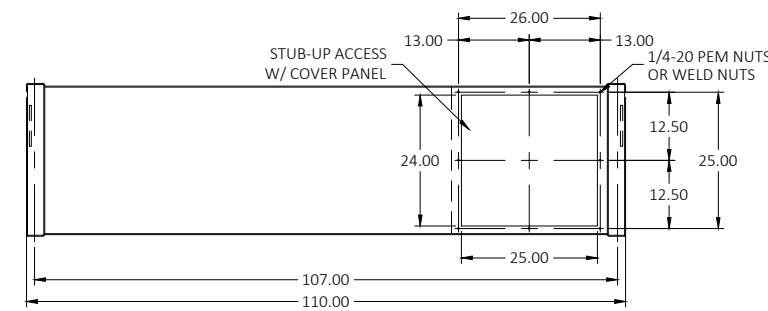
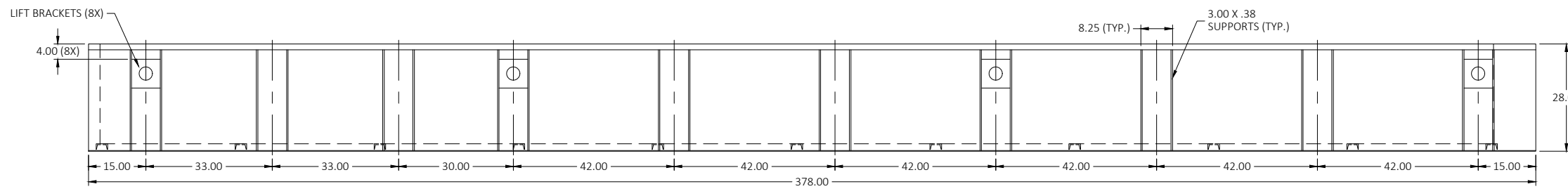
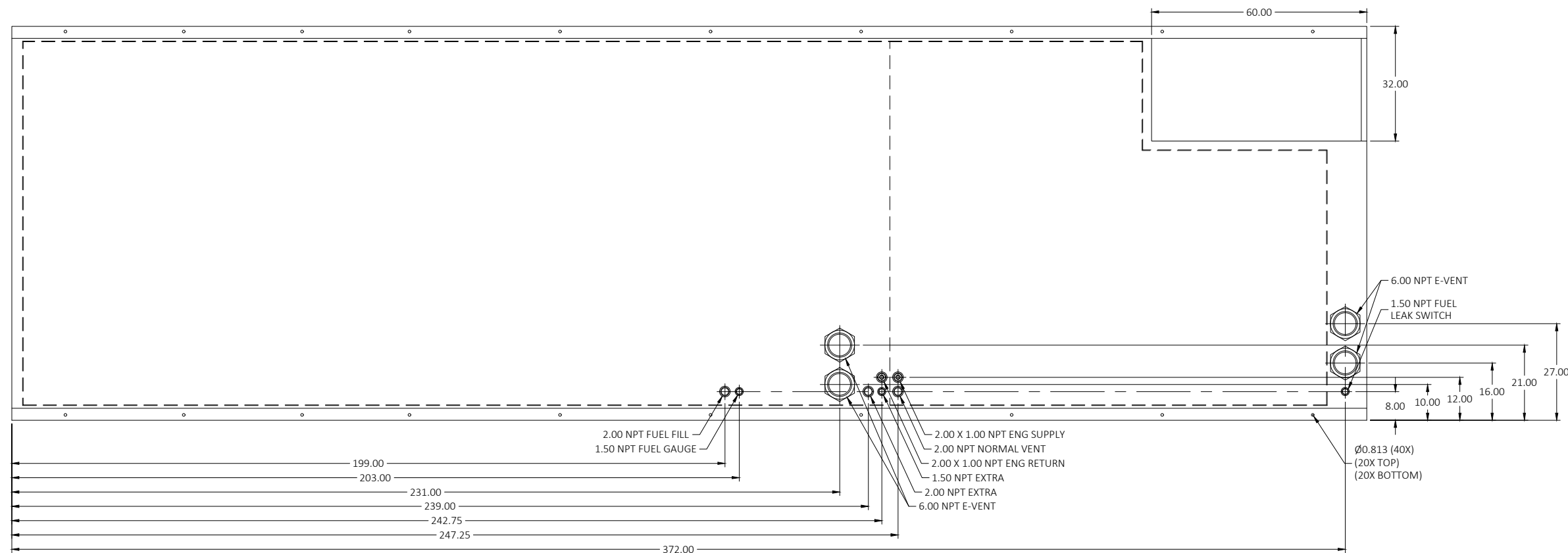
- NOTES:
1. MATERIAL: PER UL/ULC REQUIREMENTS
 2. SECONDARY CONTAINMENT TANK
 3. TANK TO INCLUDE:
 - FUEL SUPPLY/RETURN DIP TUBES
 - LIFTING/TIE DOWN BRACKETS

MATERIAL: SEE NOTES FINISH: BLACK HAMMERED

R03	MOVE VENTS & ADD 1.50 & 2.00 NPT EXTRA FITTINGS	01-05-23	CRC
LEVEL:	DESCRIPTION:	DATE:	BY:
REVISIONS:			
<small>THE INFORMATION CONTAINED IN THIS DRAWING IS THE SOLE PROPERTY OF BLUE STAR POWER SYSTEMS, INC. ANY REPRODUCTION, IN PART OR AS A WHOLE, WITHOUT THE WRITTEN PERMISSION IS PROHIBITED.</small>			
<small>2250 CARLSON DRIVE, NORTH MANKATO, MINNESOTA 56003 1 507 345 1776</small>			
TANK SB 3850GL DW SC UL/ULC W/ STUB-UP			
	NAME	DATE	SIZE PART NUMBER:
	DRAWN BY: CRC	12-13-22	B 21086
	APPROVED: CRC	12-13-22	SCALE: NONE APPROX. WEIGHT: 11,000LBS SHEET 1 OF 1

REMOVE ALL BURRS AND SHARP EDGES
 TOLERANCE UNLESS OTHER SPECIFIED:
 FRACTIONAL: ± 1/32
 ANGULAR: ± 1°
 X.X = ± .1
 X.XX = ± .03
 X.XXX = ± .010
 DIMENSIONS ARE IN INCHES
 DO NOT SCALE DRAWING

24HR / 3,850GL FUEL TANK
 MD1600-01, MD2000-01
 LV3



- NOTES:
- MATERIAL: PER UL/ULC REQUIREMENTS
 - SECONDARY CONTAINMENT TANK
 - TANK TO INCLUDE:
 - FUEL SUPPLY/RETURN DIP TUBES
 - LIFTING/TIE DOWN BRACKETS

MATERIAL: SEE NOTES FINISH: BLACK HAMMERED

REMOVE ALL BURRS AND SHARP EDGES

TOLERANCE UNLESS OTHER SPECIFIED:

FRACTIONAL: ± 1/32
 ANGULAR: ± 1°
 X.X = ± .1
 X.XX = ± .03
 X.XXX = ± .010

DIMENSIONS ARE IN INCHES

DO NOT SCALE DRAWING

R05	ADDED LIFTING BRACKETS	07-29-20	CRC
LEVEL:	DESCRIPTION:	DATE:	BY:
REVISIONS:			
THE INFORMATION CONTAINED IN THIS DRAWING IS THE SOLE PROPERTY OF BLUE STAR POWER SYSTEMS, INC. ANY REPRODUCTION, IN PART OR AS A WHOLE, WITHOUT THE WRITTEN PERMISSION IS PROHIBITED.			
2250 CARLSON DRIVE, NORTH MANKATO, MINNESOTA 56003 1 507 345 1776			
TANK SB 3850GL DW SC UL/ULC W/ STUB-UP			
	NAME	DATE	SIZE PART NUMBER:
	DRAWN BY: CRC	12-13-22	B 18027
	APPROVED: CRC	12-13-22	SCALE: NONE APPROX. WEIGHT: 11,700 LBS SHEET 1 OF 1