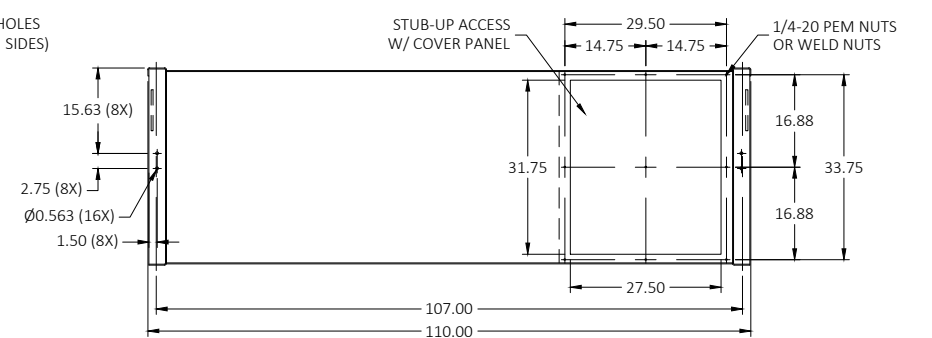
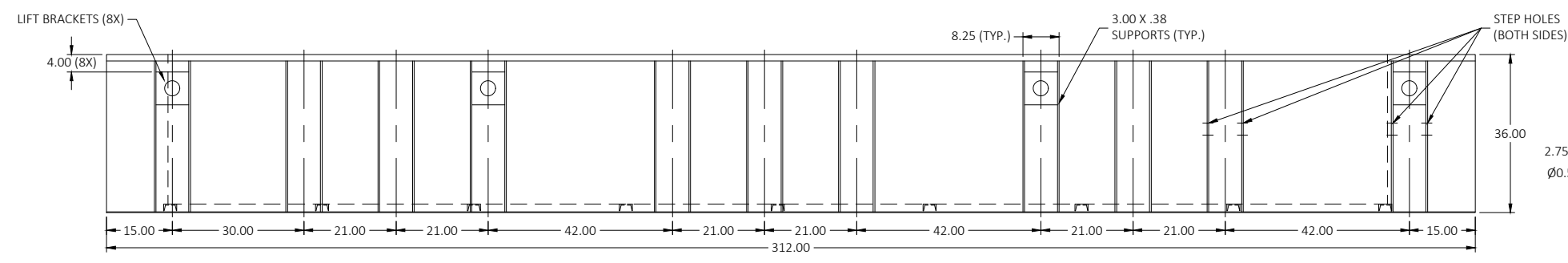
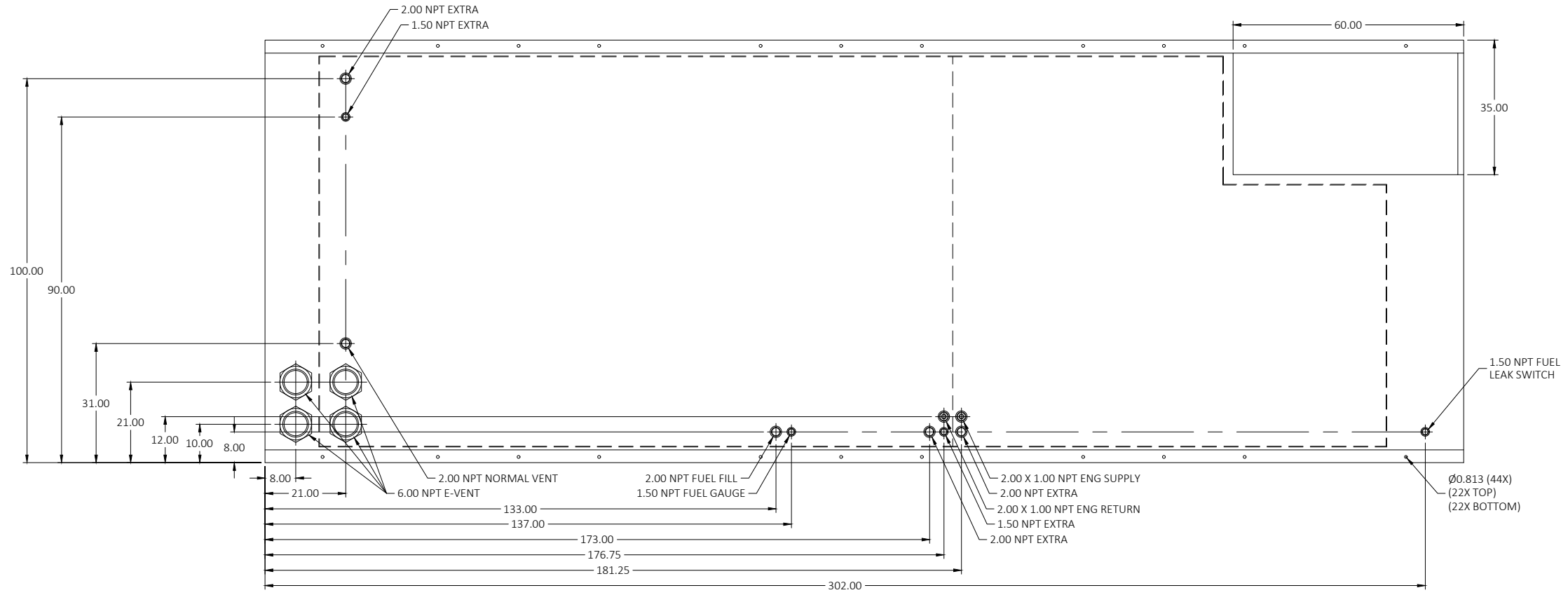


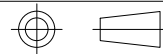
24HR / 3,850GL FUEL TANK  
 MD1600-01, MD2000-01  
 LV0 / LV1 / LV2



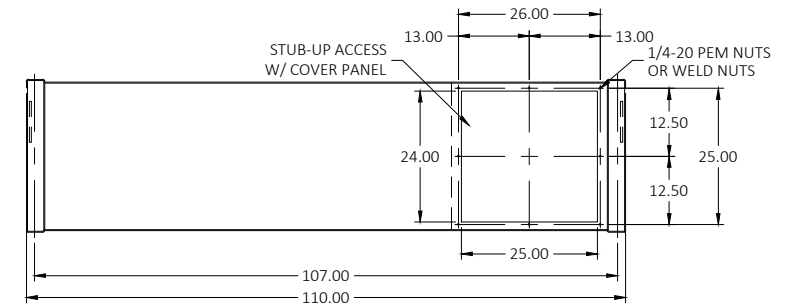
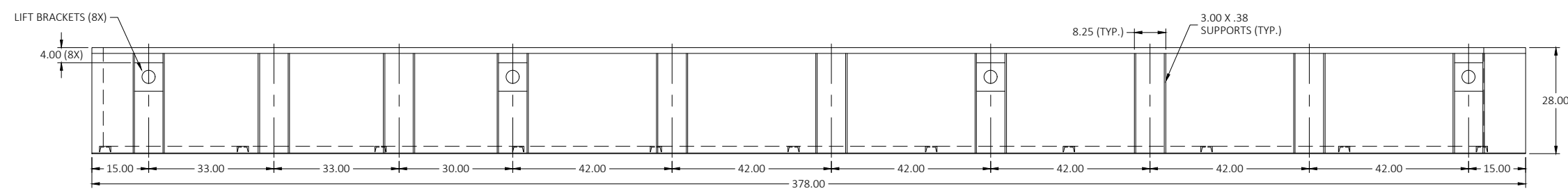
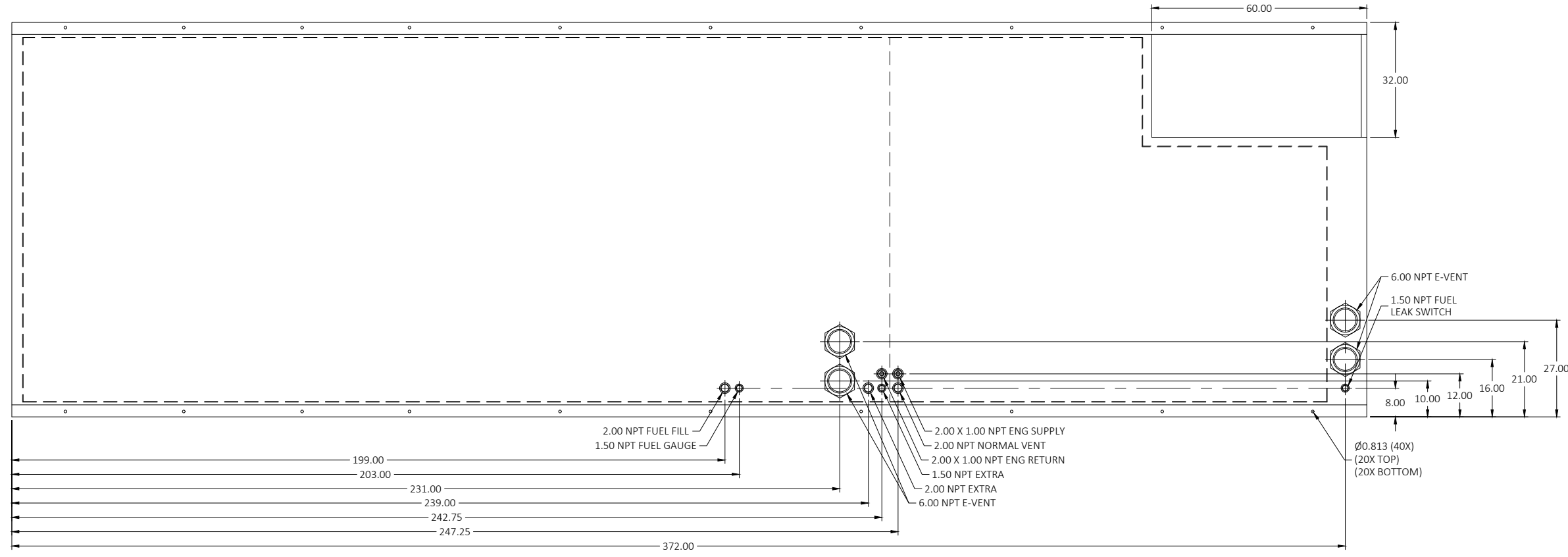
- NOTES:
1. MATERIAL: PER UL/ULC REQUIREMENTS
  2. SECONDARY CONTAINMENT TANK
  3. TANK TO INCLUDE:
    - FUEL SUPPLY/RETURN DIP TUBES
    - LIFTING/TIE DOWN BRACKETS

MATERIAL: SEE NOTES      FINISH: BLACK HAMMERED

R03	MOVE VENTS & ADD 1.50 & 2.00 NPT EXTRA FITTINGS	01-05-23	CRC
LEVEL:	DESCRIPTION:	DATE:	BY:
REVISIONS:			
<small>THE INFORMATION CONTAINED IN THIS DRAWING IS THE SOLE PROPERTY OF BLUE STAR POWER SYSTEMS, INC. ANY REPRODUCTION, IN PART OR AS A WHOLE, WITHOUT THE WRITTEN PERMISSION IS PROHIBITED.</small>			
<h1 style="margin: 0;">BLUE STAR</h1> <h2 style="margin: 0;">Power Systems Inc.</h2> <small>2250 CARLSON DRIVE, NORTH MANKATO, MINNESOTA 56003   1 507 345 1776</small>			
TANK SB 3850GL DW SC UL/ULC W/ STUB-UP			
	NAME	DATE	SIZE PART NUMBER:
	DRAWN BY: CRC	12-13-22	<b>B</b> 21086
	APPROVED: CRC	12-13-22	SCALE: NONE APPROX. WEIGHT: 11,000LBS SHEET 1 OF 1

  
 REMOVE ALL BURRS AND SHARP EDGES  
 TOLERANCE UNLESS OTHER SPECIFIED:  
 FRACTIONAL: ± 1/32  
 ANGULAR: ± 1°  
 X.X = ± .1  
 X.XX = ± .03  
 X.XXX = ± .010  
 DIMENSIONS ARE IN INCHES  
 DO NOT SCALE DRAWING

24HR / 3,850GL FUEL TANK  
 MD1600-01, MD2000-01  
 LV3



- NOTES:
1. MATERIAL: PER UL/ULC REQUIREMENTS
  2. SECONDARY CONTAINMENT TANK
  3. TANK TO INCLUDE:
    - FUEL SUPPLY/RETURN DIP TUBES
    - LIFTING/TIE DOWN BRACKETS

MATERIAL: SEE NOTES      FINISH: BLACK HAMMERED

REMOVE ALL BURRS AND SHARP EDGES

TOLERANCE UNLESS OTHER SPECIFIED:

FRACTIONAL:  $\pm \frac{1}{32}$   
 ANGULAR:  $\pm 1'$   
 X.X =  $\pm .1$   
 X.XX =  $\pm .03$   
 X.XXX =  $\pm .010$

DIMENSIONS ARE IN INCHES

DO NOT SCALE DRAWING

R05	ADDED LIFTING BRACKETS	07-29-20	CRC
LEVEL:	DESCRIPTION:	DATE:	BY:
REVISIONS:			
<small>THE INFORMATION CONTAINED IN THIS DRAWING IS THE SOLE PROPERTY OF BLUE STAR POWER SYSTEMS, INC. ANY REPRODUCTION, IN PART OR AS A WHOLE, WITHOUT THE WRITTEN PERMISSION IS PROHIBITED.</small>			
<h1>BLUE STAR</h1> <h2>Power Systems Inc.</h2> <small>2250 CARLSON DRIVE, NORTH MANKATO, MINNESOTA 56003   1 507 345 1776</small>			
TANK SB 3850GL DW SC UL/ULC W/ STUB-UP			
	NAME	DATE	SIZE PART NUMBER:
	DRAWN BY: CRC	12-13-22	<b>B</b> 18027
	APPROVED: CRC	12-13-22	SCALE: NONE APPROX. WEIGHT: 11,700 LBS SHEET 1 OF 1