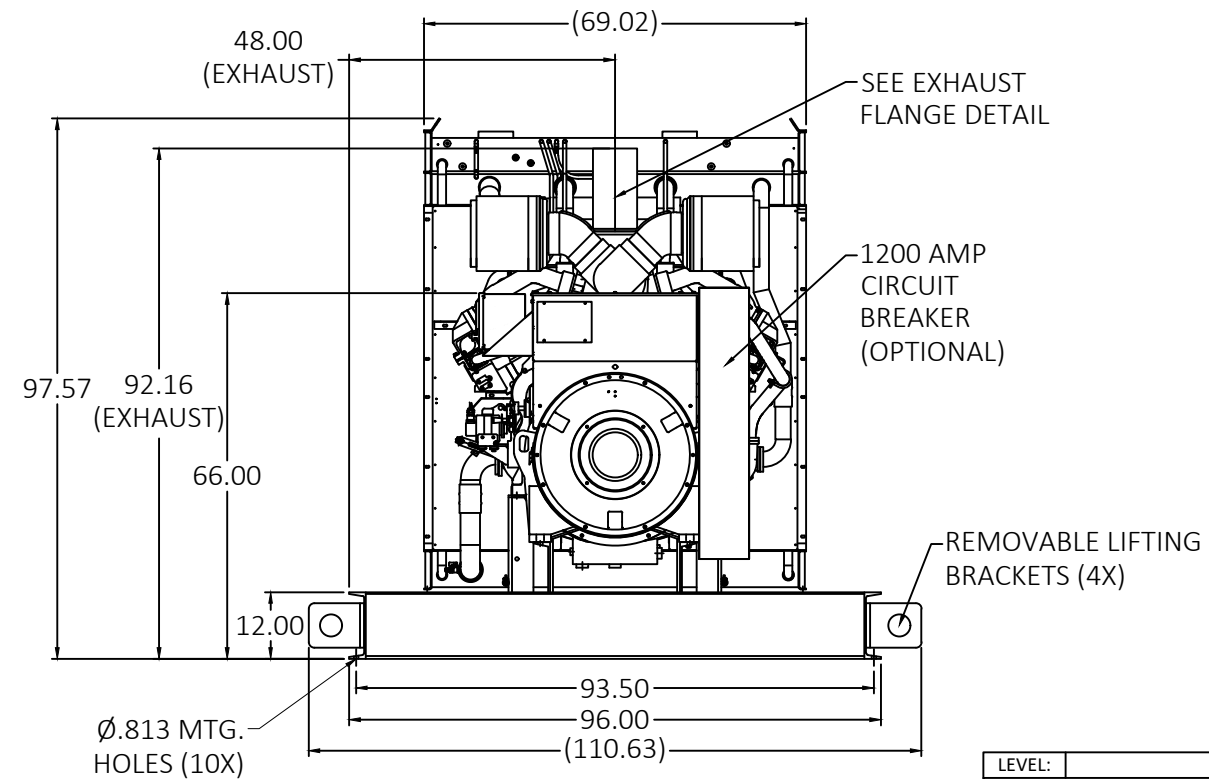
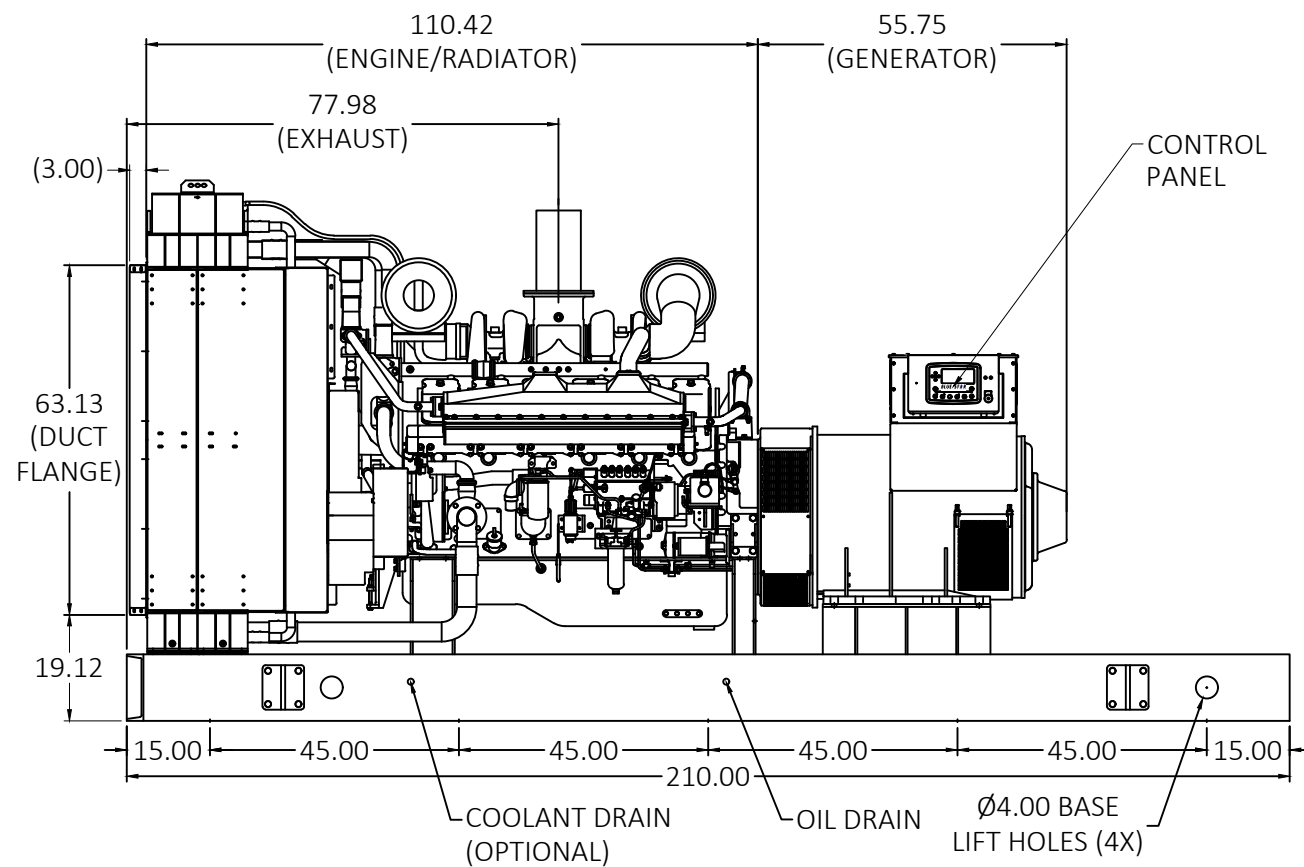
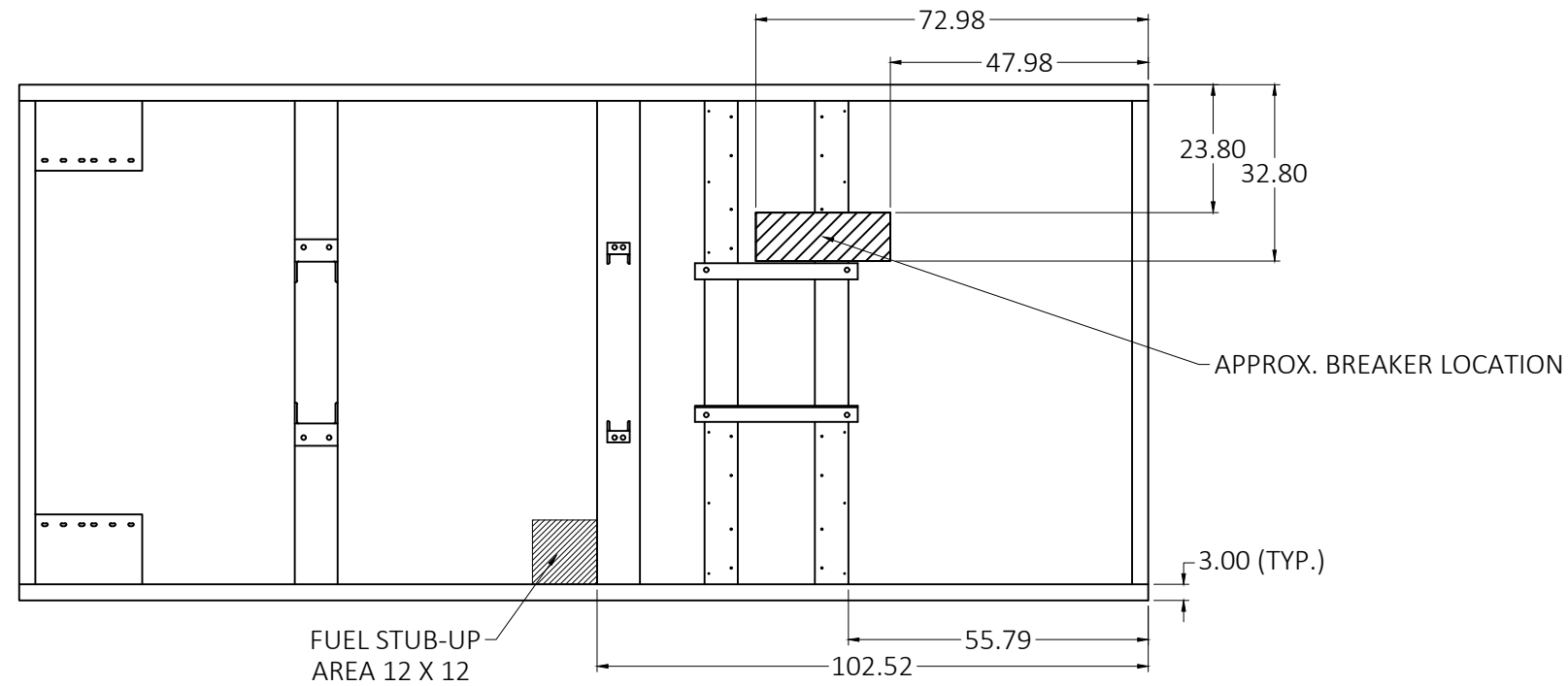
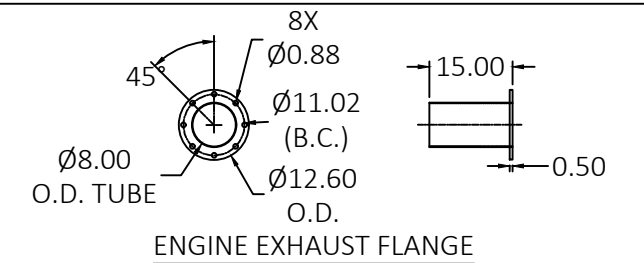


DRAWING: MD800-01-LV0



- NOTES:
1. APPROXIMATE BREAKER LOCATION SHOWN
  2. DUCT FLANGE WIDTH: 66.25"
  3. FUEL SUPPLY: 5/8" RETURN: 1/2"
  4. (XX.XX) DIMENSIONS ARE FOR REFERENCE ONLY

LEVEL:	DESCRIPTION:	DATE:	BY:
REVISIONS:			
THE INFORMATION CONTAINED IN THIS DRAWING IS THE SOLE PROPERTY OF BLUE STAR POWER SYSTEMS, INC. ANY REPRODUCTION, IN PART OR AS A WHOLE, WITHOUT THE WRITTEN PERMISSION IS PROHIBITED.			
DRAWN BY: RPS			
DATE: 11-11-2022	2250 CARLSON DRIVE, NORTH MANKATO, MINNESOTA 56003   1 507 345 1776		
ENGINE: S1A2-Y2PTAW-2	BASE: 28393	TANK: NONE	
GENERATOR: S6L1D-C	HSG: NONE	SIZE: B	SCALE: NONE SHEET: 1 OF 1