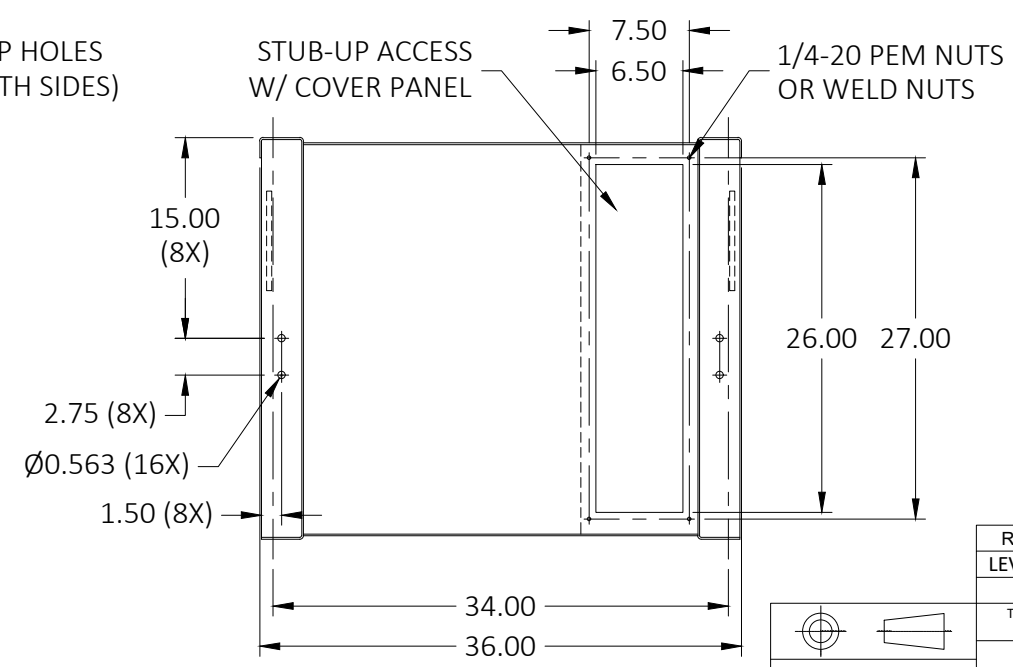
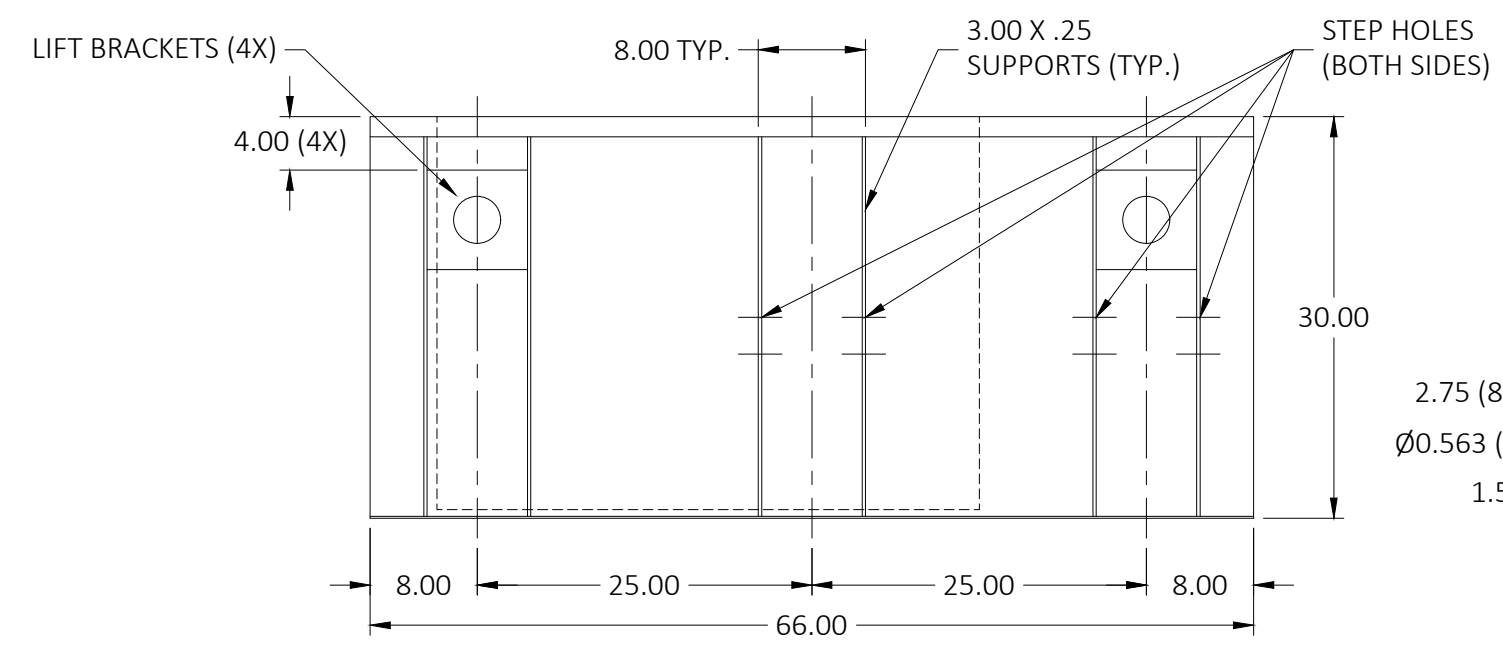
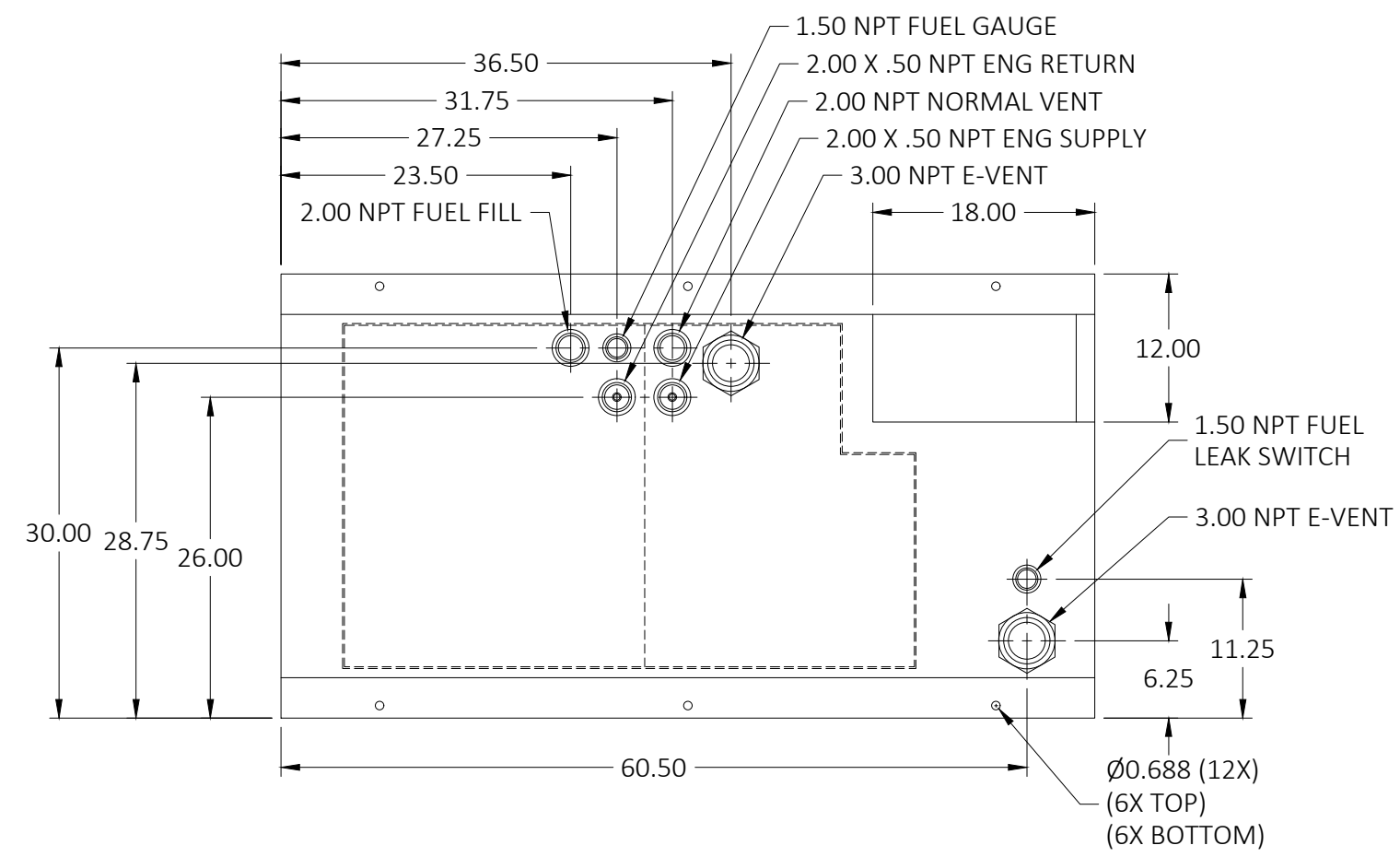


48HR / 140GL FUEL TANK

JD30-03IT4

PD20-01IT4

LV0 / LV1 / LV2 / LV3



- NOTES:
- MATERIAL: PER UL/ULC REQUIREMENTS
 - SECONDARY CONTAINMENT TANK
 - TANK TO INCLUDE:
 - FUEL SUPPLY/RETURN DIP TUBES
 - LIFTING/TIE DOWN BRACKETS

REMOVE ALL BURRS AND SHARP EDGES

TOLERANCE UNLESS OTHER SPECIFIED:

FRACTIONAL: $\pm \frac{1}{32}$
 ANGULAR: $\pm 1'$
 X.X = $\pm .1$
 X.XX = $\pm .03$
 X.XXX = $\pm .010$

R05	ADDED STEP HOLES	06-07-22	CRC
LEVEL:	DESCRIPTION:	DATE:	BY:
REVISIONS:			
<small>THE INFORMATION CONTAINED IN THIS DRAWING IS THE SOLE PROPERTY OF BLUE STAR POWER SYSTEMS, INC. ANY REPRODUCTION, IN PART OR AS A WHOLE, WITHOUT THE WRITTEN PERMISSION IS PROHIBITED.</small>			
<h2 style="margin: 0;">BLUE STAR</h2> <h3 style="margin: 0;">Power Systems Inc.</h3> <small>2250 CARLSON DRIVE, NORTH MANKATO, MINNESOTA 56003 1 507 345 1776</small>			
<h3 style="margin: 0;">TANK SB 140GL DW SC UL/ULC W/ STUB-UP</h3>			
	NAME	DATE	SIZE PART NUMBER:
	DRAWN BY: CRC	11-17-22	B 19793
	APPROVED: CRC	11-17-22	SCALE: NONE APPROX. WEIGHT: 850 LBS SHEET 1 OF 1

MATERIAL: SEE NOTES FINISH: BLACK HAMMERED