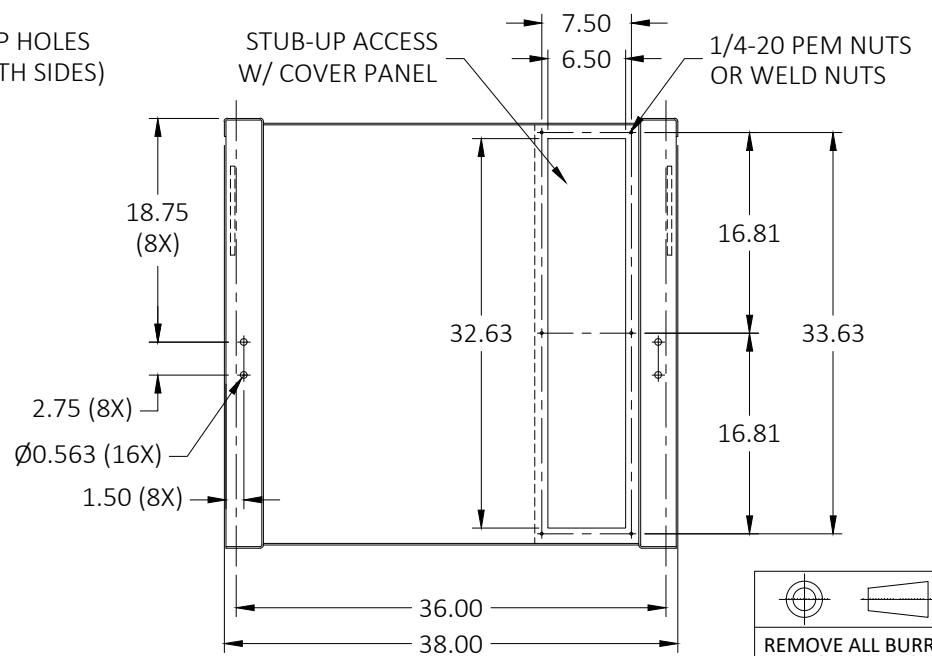
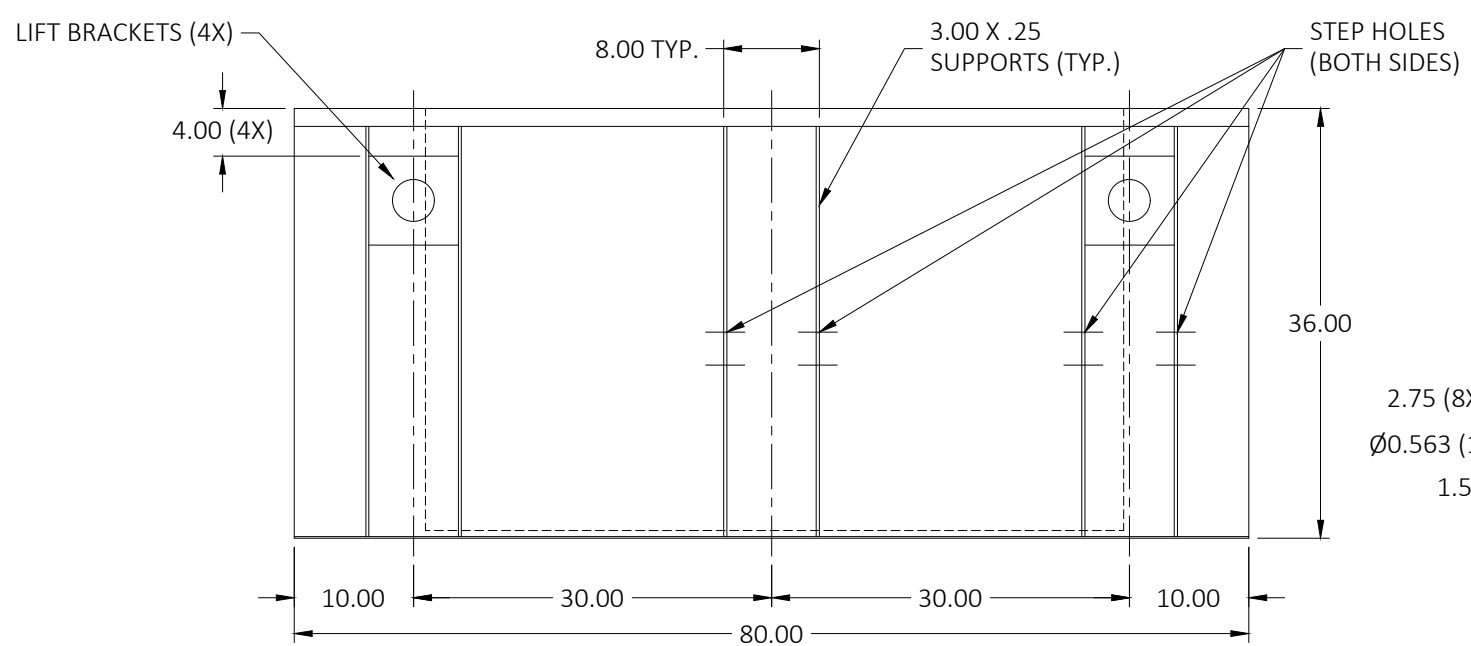
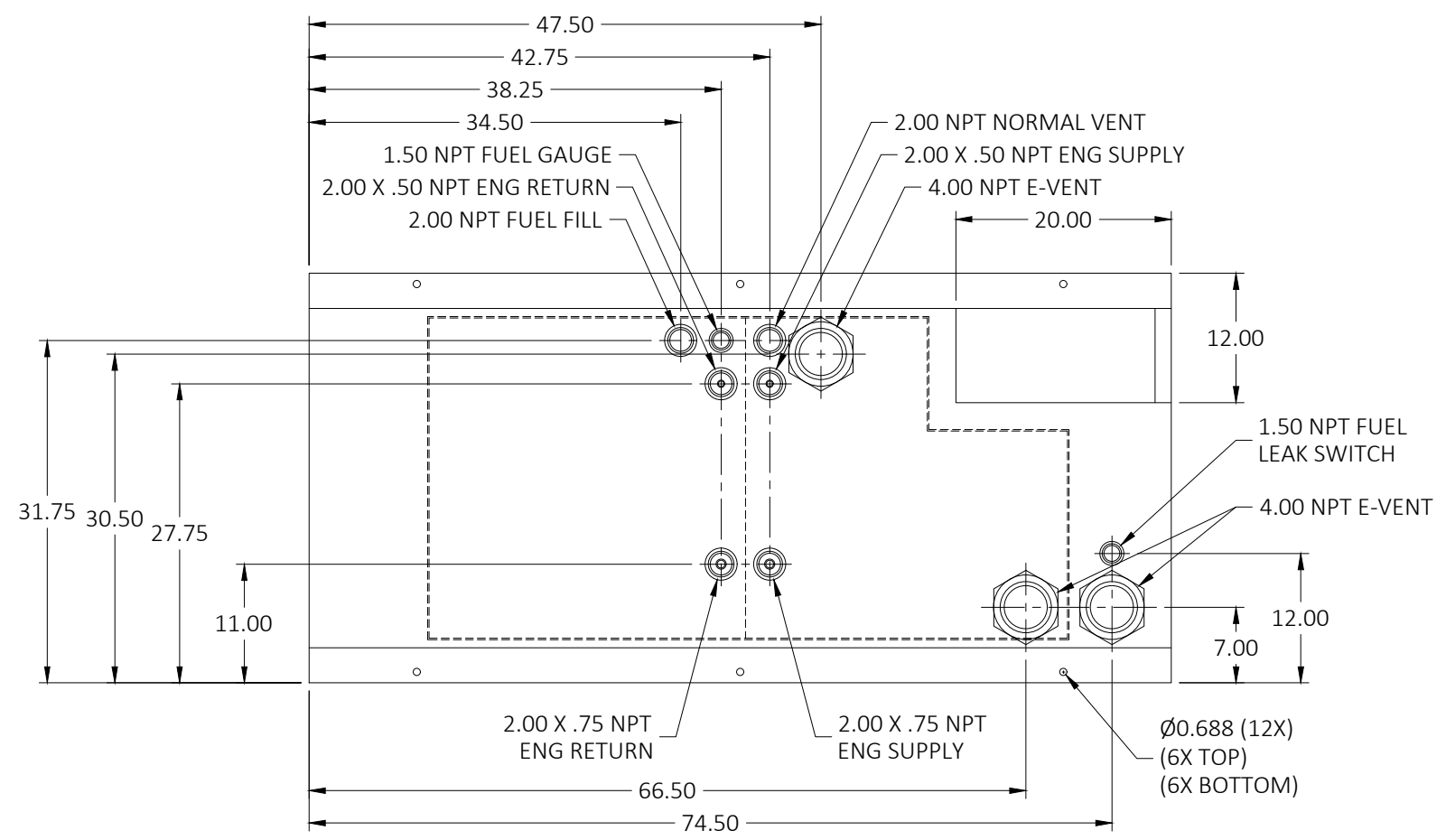


48HR / 240GL FUEL TANK  
 JD40-03, JD50-03, JD60-03  
 PD50-01, PD60-01  
 LV0 / LV1 / LV2 / LV3



- NOTES:
1. MATERIAL: PER UL/ULC REQUIREMENTS
  2. SECONDARY CONTAINMENT TANK
  3. TANK TO INCLUDE:
    - FUEL SUPPLY/RETURN DIP TUBES
    - LIFTING/TIE DOWN BRACKETS

MATERIAL: SEE NOTES FINISH: BLACK HAMMERED

REMOVE ALL BURRS AND SHARP EDGES  
 TOLERANCE UNLESS OTHER SPECIFIED:  
 FRACTIONAL: ± 1/32  
 ANGULAR: ± 1°  
 X.X = ± .1  
 X.XX = ± .03  
 X.XXX = ± .010  
 DIMENSIONS ARE IN INCHES  
 DO NOT SCALE DRAWING

|   |                       |          |  |
|---|-----------------------|----------|--|
| R11   | MOVED INTERNAL BAFFLE | 04-26-22 | CRC  |
| LEVEL:  | DESCRIPTION:          | DATE:    | BY:  |
| REVISIONS:  |                       |          |  |
| <small>THE INFORMATION CONTAINED IN THIS DRAWING IS THE SOLE PROPERTY OF BLUE STAR POWER SYSTEMS, INC. ANY REPRODUCTION, IN PART OR AS A WHOLE, WITHOUT THE WRITTEN PERMISSION IS PROHIBITED.</small> |                       |          |  |
|   |                       |          |  |
| <small>2250 CARLSON DRIVE, NORTH MANKATO, MINNESOTA 56003   1 507 345 1776</small>  |                       |          |  |
| <b>TANK SB 240GL DW SC UL/ULC W/ STUB-UP</b>  |                       |          |  |
|   | NAME                  | DATE     | SIZE PART NUMBER:                                  |
|   | DRAWN BY: CRC         | 11-17-22 | <b>B</b> 19175                                     |
|   | APPROVED: CRC         | 11-17-22 | SCALE: NONE APPROX. WEIGHT: 1,200 LBS SHEET 1 OF 1 |