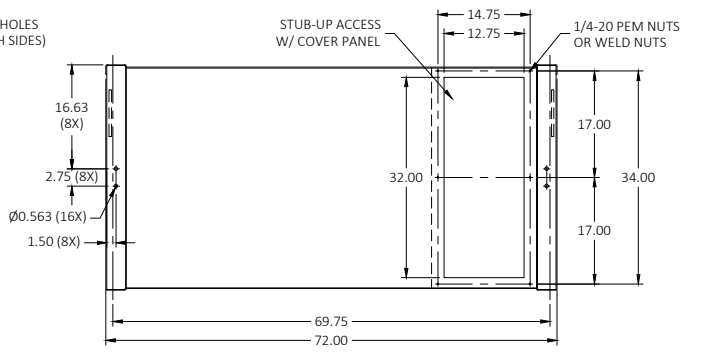
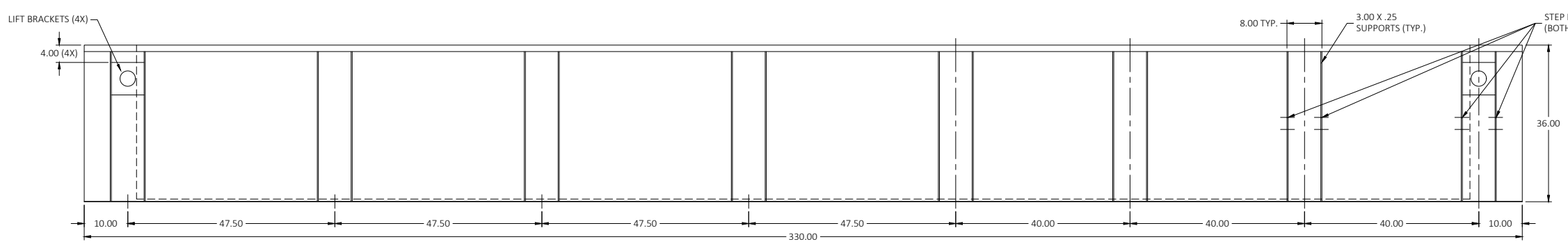
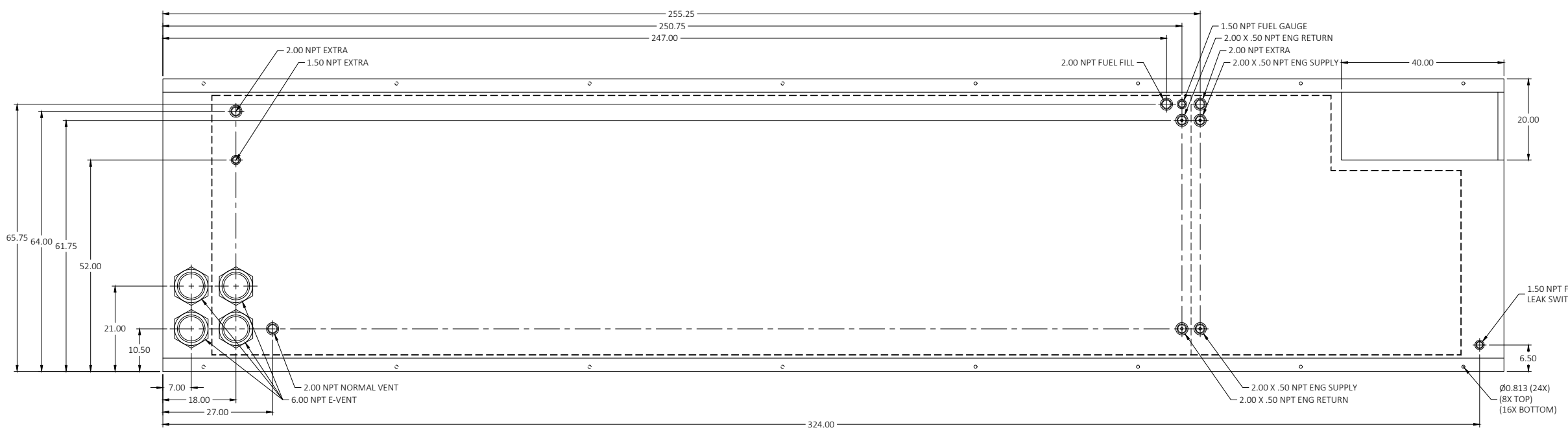


72HR / 2,700GL FUEL TANK
 VD450-01, VD500-01
 LV0 / LV1 / LV2 / LV3



- NOTES:
 1. MATERIAL: PER UL/ULC REQUIREMENTS
 2. SECONDARY CONTAINMENT TANK
 3. TANK TO INCLUDE:
 -FUEL SUPPLY/RETURN DIP TUBES
 -LIFTING/TIE-DOWN BRACKETS

MATERIAL: SEE NOTES FINISH: BLACK HAMMERED

REMOVE ALL BURRS AND SHARP EDGES
 TOLERANCE UNLESS OTHER SPECIFIED:
 FRACTIONAL: ± 1/32
 ANGULAR: ± 1°
 X.X = ± .1
 X.XX = ± .03
 X.XXX = ± .010

| | | | |
|------------|--|----------|-----|
| R04 | ADDED 1.50 NPT & 2.00 NPT EXTRA FITTINGS | 01-05-23 | CRC |
| LEVEL: | DESCRIPTION: | DATE: | BY: |
| REVISIONS: | | | |

THE INFORMATION CONTAINED IN THIS DRAWING IS THE SOLE PROPERTY OF BLUE STAR POWER SYSTEMS, INC. ANY REPRODUCTION, IN PART OR AS A WHOLE, WITHOUT THE WRITTEN PERMISSION IS PROHIBITED.

BLUE STAR
 Power Systems Inc.
 2250 CARLSON DRIVE, NORTH MANKATO, MINNESOTA 56003 | 1 507 345 1776

TANK SB 2700GL DW SC UL/ULC W/ STUB-UP

| | | | |
|----------------------|---------------|-------------|---------------------------|
| NAME | DATE | SIZE | PART NUMBER: |
| CRC | 12-09-22 | B | 19913 |
| APPROVED: | CRC | SCALE: NONE | APPROX. WEIGHT: 6,500 LBS |
| DO NOT SCALE DRAWING | APPROVED: CRC | 12-09-22 | SHEET 1 OF 1 |