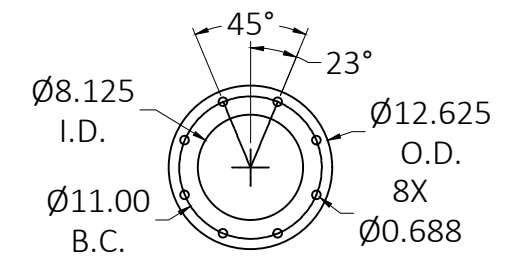
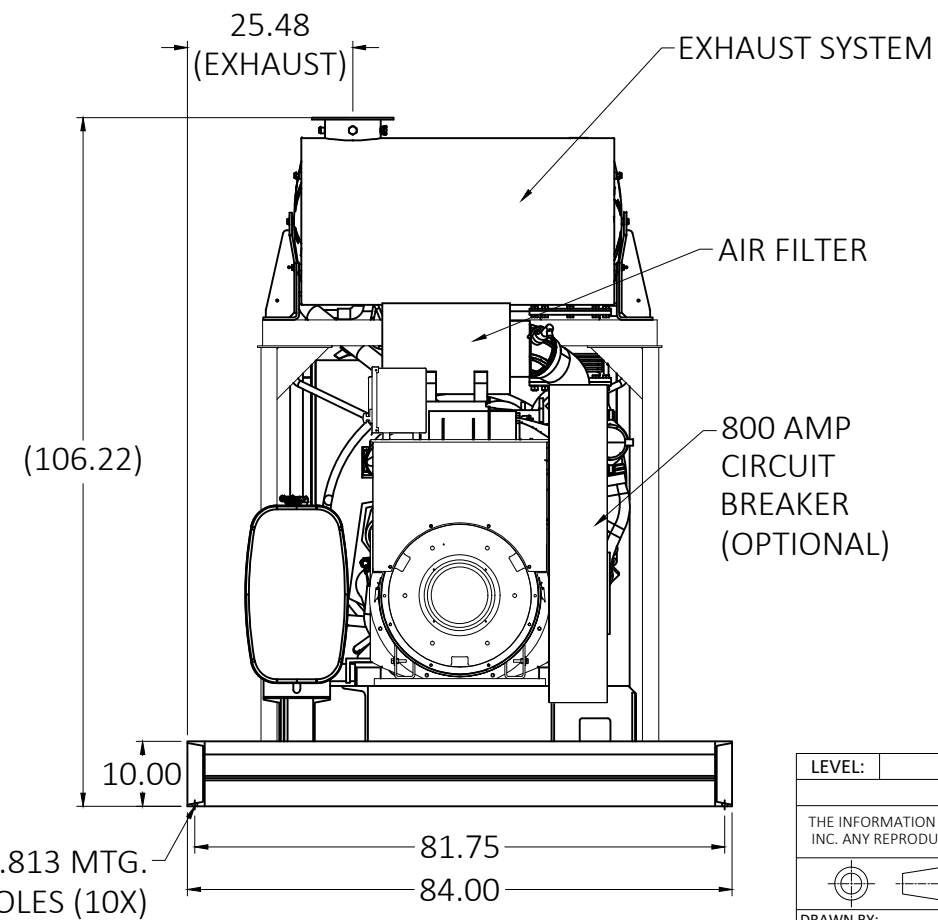
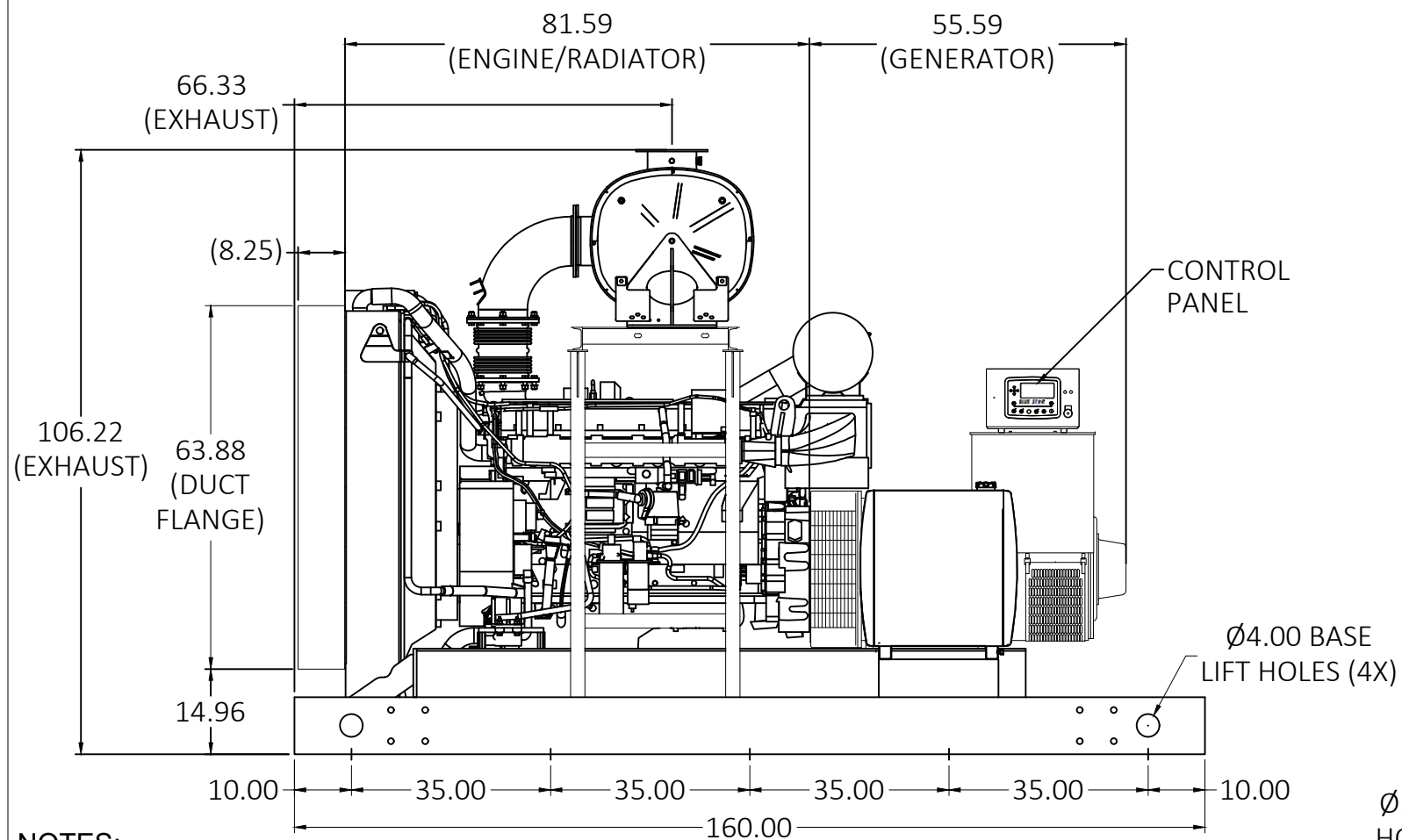
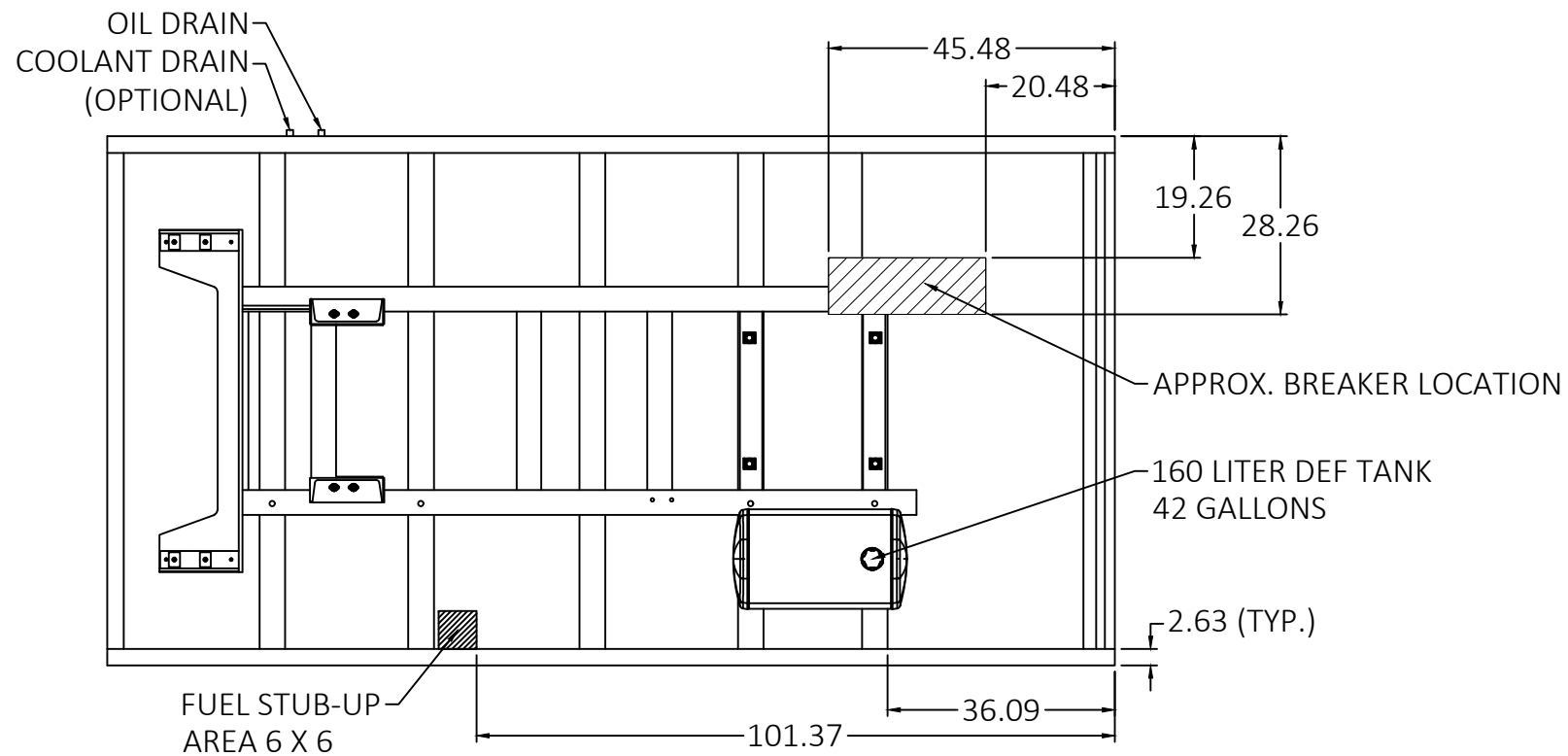


DRAWING: **VD600-02FT4-LV0**



EXHAUST FLANGE DETAIL
SCALE 2:1



- NOTES:**
1. BREAKER LOCATION IS APPROXIMATE
 2. FUEL SUPPLY: 3/8" FUEL RETURN: 1/4"
 3. DUCT FLANGE WIDTH: 42.85"
 4. ENGINE FRAME MOUNTED ON VIBRATION ISOLATORS
 5. (XX.XX) DIMENSIONS ARE FOR REFERENCE ONLY

LEVEL:	DESCRIPTION:	DATE:	BY:
REVISIONS:			
THE INFORMATION CONTAINED IN THIS DRAWING IS THE SOLE PROPERTY OF BLUE STAR POWER SYSTEMS, INC. ANY REPRODUCTION, IN PART OR AS A WHOLE, WITHOUT THE WRITTEN PERMISSION IS PROHIBITED.			
		BLUE STAR Power Systems Inc.	
2250 CARLSON DRIVE, NORTH MANKATO, MINNESOTA 56003 1 507 345 1776			
DRAWN BY: RPS	ENGINE: TWD1673GE	BASE: 23633	TANK: NONE
DATE: 11-18-2022	GENERATOR: HCI534E	HSG: NONE	SIZE: B
		SCALE: NONE SHEET: 1 OF 1	