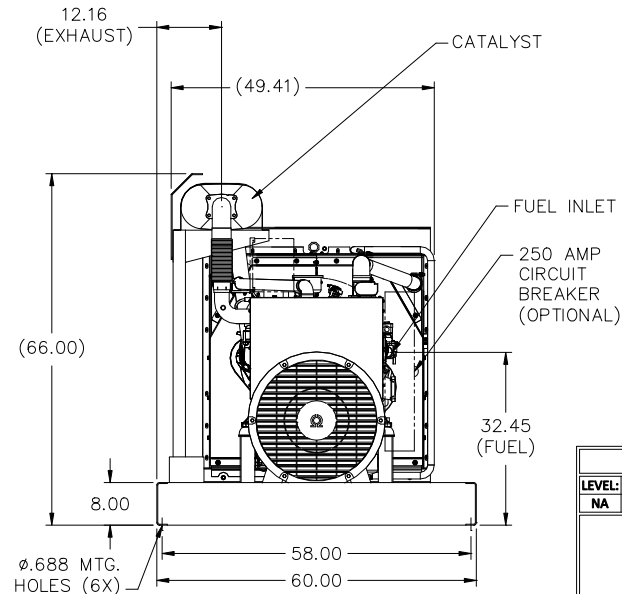
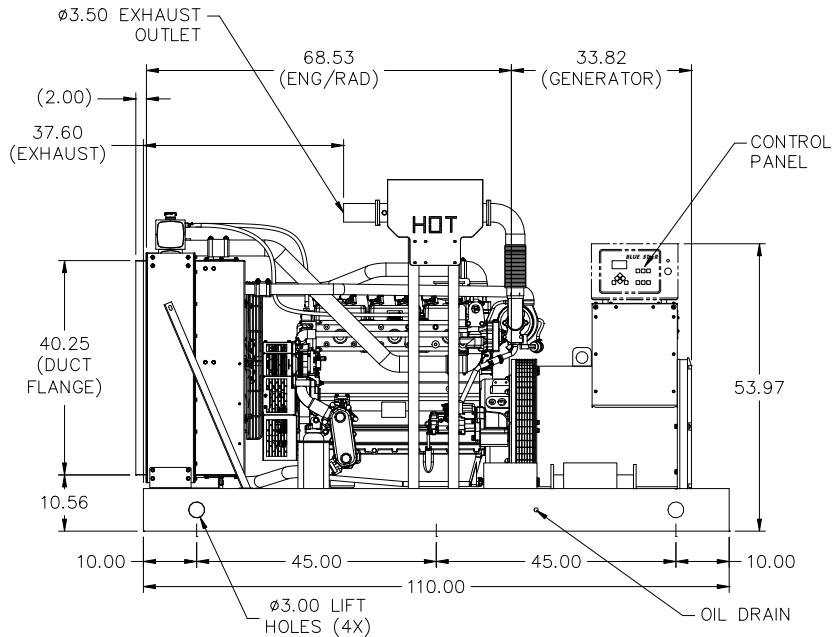
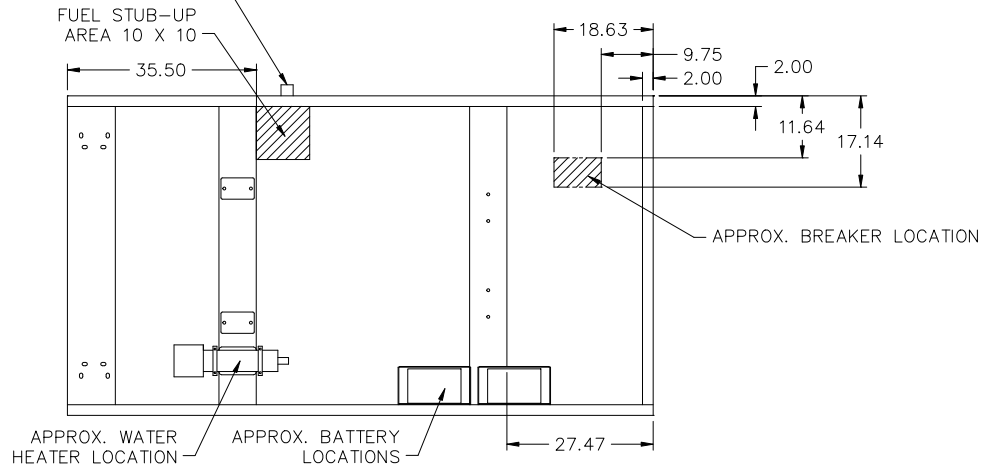


(OPTIONAL) BASE FUEL CONNECTION

DRAWING: **NG150-01-LVO**



NOTES:

1. BREAKER DIMENSIONS ARE APPROXIMATE
2. DUCT FLANGE WIDTH: 39.88"
3. FUEL INLET 1-1/2 NPT
4. (XX.XX) DIMENSIONS ARE FOR REFERENCE ONLY

REVISIONS:

LEVEL:	DESCRIPTION:	DATE:	BY:
NA	NA	NA	NA

**BLUE STAR**  
Power Systems Inc.

ENG: NG150 8.1L	GEN: 431	
RAD: W/ ENG	BASE: 2-0423	HSG: NA
DATE: 12-16-15	BY: KAP	DRAWN TO SCALE