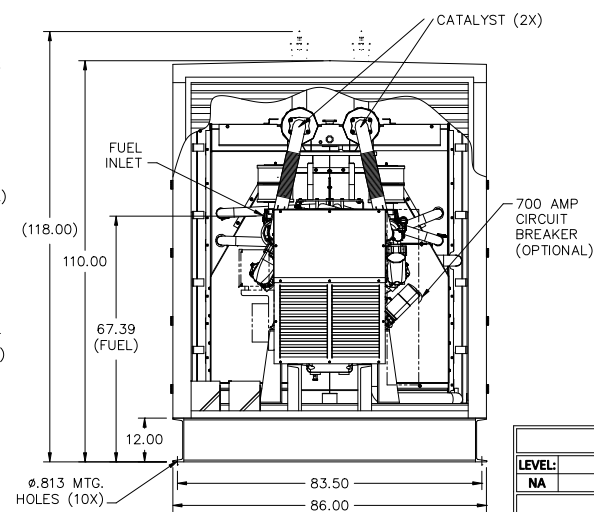
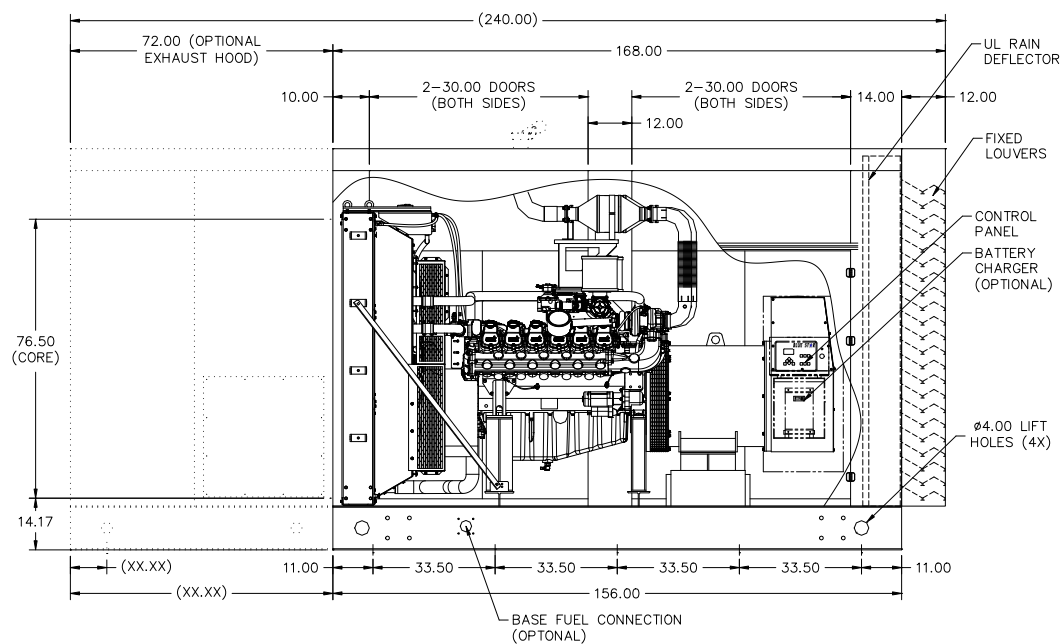
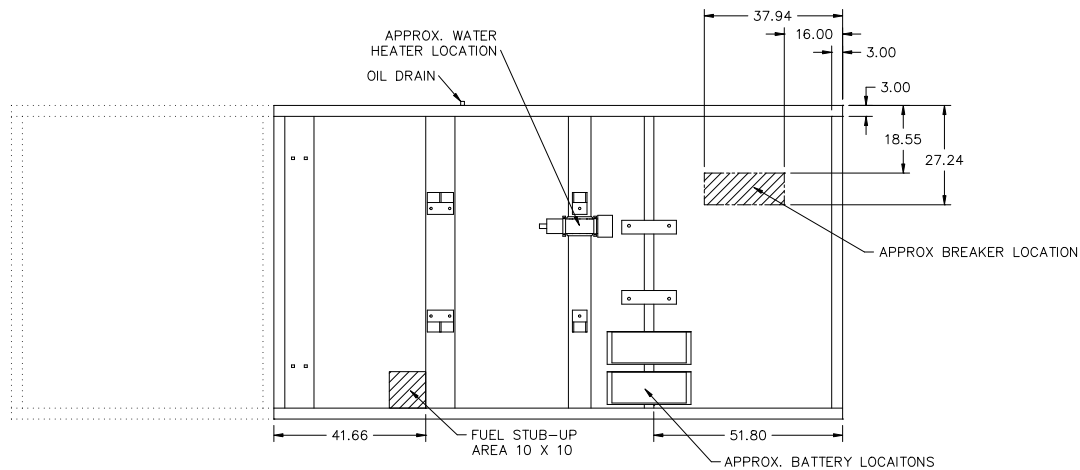


APPROX. WATER
HEATER LOCATION
OIL DRAIN

REVISIONS:

LEVEL:	DESCRIPTION:	DATE:	BY:
NA	NA	NA	NA

BLUE STAR
Power Systems Inc.

ENG: D219TIC	GEN: 572		
RAD: W/ENG	BASE: 2-0256	HSG: WPE-106	
DATE: 03-15-21	BY: JLL	DRAWN TO SCALE	

NOTES:

- BREAKER LOCATION IS APPROXIMATE
- FUEL CONNECTION 3NPT
- RADIATOR CORE WIDTH: 63.67"
- (OPTIONAL): EXHAUST HOOD INCLUDED LEVEL 3 ENCLOSURE ONLY
- (OPTIONAL): EXHAUST ROUTED THROUGH EXHAUST HOOD LEVEL 3 ENCLOSURE ONLY
- (OPTIONAL): SOUND ATTENUATION FOAM INCLUDED LEVEL 2 & 3 ENCLOSURES ONLY
- (XX.XX) DIMENSIONS ARE FOR REFERENCE ONLY