

BLUE STAR

Power Systems Inc.

Diesel Product Line

208-480 Volt

VD200-02FT4MP

60 Hz / 1800 RPM

200 kWe / 200 kWe

Standby / Prime

Ratings

	240V	208V	240V	480V	Multi-Voltage
Phase	1	3	3	3	3 / 1
PF	1	0.8	0.8	0.8	0.8 / 1.0
Hz	60	60	60	60	60
Generator Model	S4L1D-F41	UCDI274J1	UCDI274J1	UCDI274J1	S4L1D-F41
Connection	12 LEAD DD	12 LEAD WYE	12 LEAD DELTA	12 LEAD WYE	12 LEAD CONFIGURABLE
Standby kWe	200	200	200	200	200
AMPS	833	695	602	301	833/695/602/301
Temp Rise	105°C / 40°C	105°C / 40°C	105°C / 40°C	105°C / 40°C	105°C / 40°C
Prime kWe	200	200	200	200	200
AMPS	833	695	602	301	833/695/602/301
Temp Rise	105°C / 40°C	105°C / 40°C	105°C / 40°C	105°C / 40°C	105°C / 40°C

Standard Equipment

- | | | |
|---|--|---|
| <p>Engine</p> <ul style="list-style-type: none"> - Radiator Cooled Unit Mounted (55°C) - Blower Fan & Fan Drive - Starter & Alternator - Oil Pump & Filter - Oil Drain Extension w/Valve - Governor - Electronic Isochronous - 24V Battery System & Cables - Air Cleaner (Dry Single Stage) - SCR Catalysts / Silencer Mounted - Flexible Fuel Connector - EPA Certified Tier 4 Final | <p>Generator</p> <ul style="list-style-type: none"> - Brushless Single Bearing - Automatic Voltage Regulator - ± 1% Voltage Regulation - 4 Pole, Rotating Field - 105°C Standby Temperature Rise - 105°C Prime Temperature Rise - 100% of Rated Load - One Step - 5% Maximum Harmonic Content - NEMA MG 1, IEEE and ANSI Standards Compliance for Temperature Rise | <p>Additional</p> <ul style="list-style-type: none"> - Single Source Supplier - NFPA 110 / CSA C282 Compliant - Microprocessor Based Digital Control Panel Mounted in NEMA 12 Enclosure - Base - Formed Steel - Level 3 Sound Attenuated Enclosure - Trailer with Integrated 350 Gallon Fuel Tank - Main Line Circuit Breaker Mounted & Wired - Battery Charger 24V 5 Amp - Jacket Water Heater -20°F 3000W 240V w/Isolation Valves - Vibration Isolation Mounts - 2 Year / 2000 Hour Standby Warranty - 1 Year / 1500 Hour Prime Warranty - Standard Color - White |
|---|--|---|

Application Data

Engine

Manufacturer:	Volvo Penta	Displacement - Cu. In. (lit):	661 (10.8)
Model:	TAD1170VE	Bore - in. (cm) x Stroke - in. (cm):	4.84 (12.3) x 5.98 (15.2)
Type:	4-Cycle	Compression Ratio:	17.0:1
Aspiration:	Turbo Charged, CAC	Rated RPM:	1800
Cylinder Arrangement:	6 Cylinder Inline	Max HP Stby (kWm):	320 (235)

Exhaust System

	Standby	Prime
Gas Temp. (Stack): °F (°C)	775 (413)	775 (413)
Gas Volume at Stack Temp: CFM (m³/min)	1,564 (44.3)	1,564 (44.3)
Maximum Allowable Exhaust Restriction (Post DPF): in. H ₂ O (kPa)	28.0 (7.00)	28.0 (7.00)

Cooling System

Ambient Capacity of Radiator: °F (°C)	131 (55.0)	131 (55.0)
Maximum Allowable Static Pressure on Rad. Exhaust: in. H ₂ O (kPa)	0.50 (0.12)	0.50 (0.12)
Water Pump Flow Rate: GPM (lit/min)	96.0 (372)	96.0 (372)
Heat Rejection to Coolant: BTUM (kW)	6,824 (120)	6,824 (120)
Heat Rejection to CAC: BTUM (kW)	2,843 (50.0)	2,843 (50.0)
Heat Radiated to Ambient: BTUM (kW)	2,419 (42.3)	2,419 (42.3)

Air Requirements

Aspirating: CFM (m³/min)	745 (21.1)	745 (21.1)
Air Flow Required for Rad. Cooled Unit: CFM (m³/min)	16,725 (480)	16,725 (480)
Air Flow Required for Heat Exchanger/Rem. Rad. CFM (m³/min)	Consult Factory For Remote Cooled Applications	

Fuel Consumption

At 100% of Power Rating: gal/hr (lit/hr)	14.9 (56.4)	14.9 (56.4)
At 75% of Power Rating: gal/hr (lit/hr)	11.6 (44.0)	11.6 (44.0)
At 50% of Power Rating: gal/hr (lit/hr)	8.29 (31.4)	8.29 (31.4)
DEF Consumption (% of fuel consumption)	± 6.00%	± 6.00%

Fluids Capacity

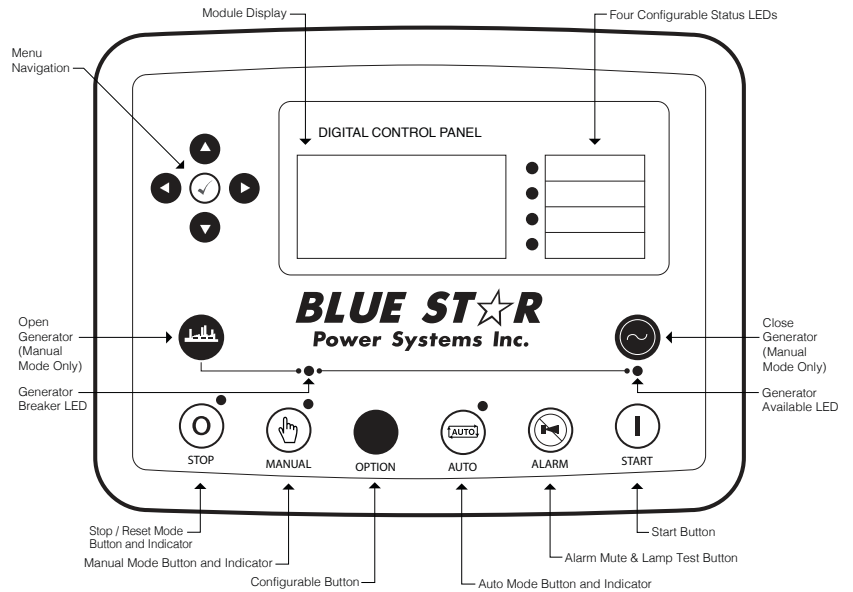
Total Oil System: gal (lit)	9.77 (37.0)	9.77 (37.0)
Engine Jacket Water Capacity: gal (lit)	4.50 (17.0)	4.50 (17.0)
System Coolant Capacity: gal (lit)	10.20 (38.6)	10.20 (38.6)
DEF Tank Capacity: gal (lit)	18.5 (70.0)	18.5 (70.0)

Deration Factors: Rated Power is available up to 4,921 Ft (1500m) at ambient temperatures to 122°F (50°C). Consult factory for site conditions above these parameters.

DCP7310 Control Panel

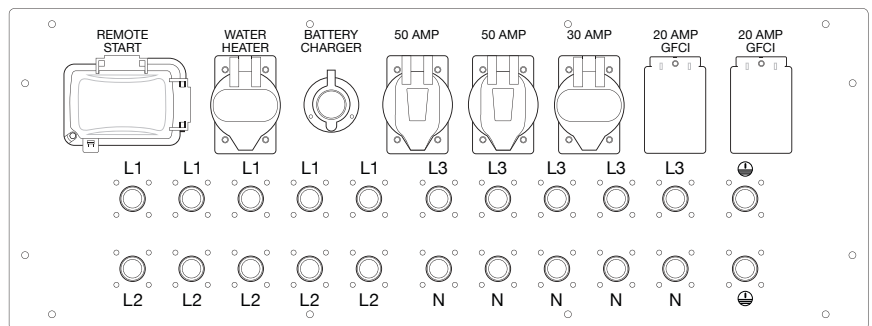
Standard Features

- Digital Metering
- Engine Parameters
- Generator Protection Functions
- Engine Protection
- CAN Bus (J1939) ECU Communications
- Windows-Based Software
- Multilingual Capability
- Remote Communications to DSE2548 Remote Annunciator
- 8 Programmable Contact Inputs
- 10 Contact Outputs
- RS485 Communicator Interface
- cULus Listed, CE Approved
- Event Recording
- IP 65 rating (with supplied gasket) offers increased resistance to water ingress
- NFPA 110 Level 1 Compatible



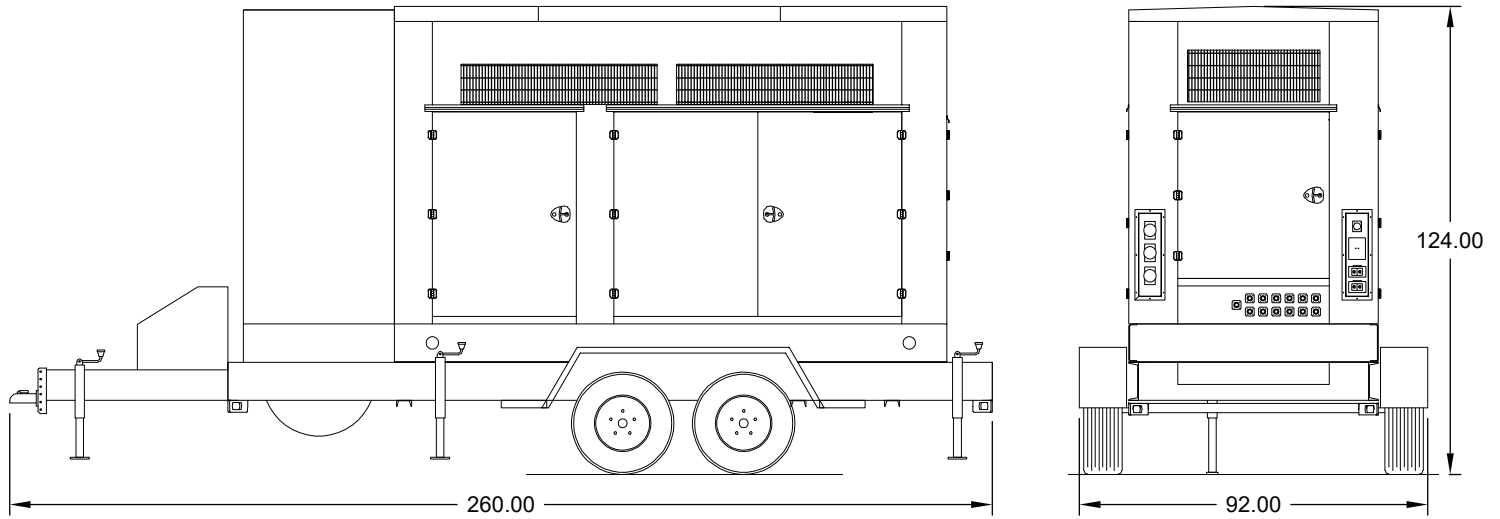
Convenience Panel

- 2-50A 125/250VAC 3P4W Twist Lock Non-Nema CS6369
- 1-30A 125/250VAC 3P4W Twist Lock Nema L14-30R
- 2-20A 120VAC Duplex GFCI Nema 5-20R
- Thumb Screw Terminals for 2-Wire Remote Start
- 20A 240VAC Male Receptacle for Jacket Water Heater and Battery Charger Shore Power Connection
- 15A 120VAC Male Receptacle for Battery Charger Shore Power Connection
- 9-400A Rated Female Cam Style Locking Receptacles for Load Connection



* Drawing and configuration may vary from illustration. All drawings and dimensions subject to change without notice.

Dimensions



- Approximate Ship Weight: 12,900 lbs.
- Approximate Wet Weight: 15,400 lbs.
- Weights based on standard trailer package. Additional options may increase weight.
- Sound data measured at 23 feet (7 meters) in accordance with ISO 8528-10.

Sound Data

No Load	Full Load
69 dBA	71 dBA

Notes

- All specification sheet dimensions are represented in inches.
- All drawings based on standard 480 volt standby generator. Lengths may vary with other voltages. All drawings and dimensions subject to change without notice.
- All enclosures and fuel tanks are based on the standard standby unit configuration. Any deviation can change dimensions.
- Sound data is measured at 23 feet (7 meters) in accordance with ISO 8528-10.
- All materials and specifications subject to change without notice.

American Owned



American Made

Blue Star Power Systems, Inc.

2250 Carlson Drive

North Mankato, Minnesota 56003

Phone + 1 507 345 1776

bluestarps.com

quote.bluestarps.com

sales@bluestarps.com