

# BLUE STAR

## Power Systems Inc.

### Diesel Product Line

208-480 Volt

VD300-02FT4MP

60 Hz / 1800 RPM

300 kWe / 300 kWe

Standby / Prime

### Ratings

	208V	240V	480V	Multi-Voltage
<b>Phase</b>	3	3	3	3
<b>PF</b>	0.8	0.8	0.8	0.8
<b>Hz</b>	60	60	60	60
<b>Generator Model</b>	S4L1D-F41	S4L1D-F41	S4L1D-E41	S4L1D-F41
<b>Connection</b>	12 LEAD WYE	12 LEAD DELTA	12 LEAD WYE	12 LEAD CONFIGURABLE
<b>Standby kWe</b>	300	300	300	300
<b>AMPS</b>	1042	903	452	1042/903/452
<b>Temp Rise</b>	105°C / 40°C	105°C / 40°C	105°C / 40°C	105°C / 40°C
<b>Prime kWe</b>	300	300	300	300
<b>AMPS</b>	1042	903	452	1042/903/452
<b>Temp Rise</b>	105°C / 40°C	105°C / 40°C	105°C / 40°C	105°C / 40°C

### Standard Equipment

- |   |  |   |
|---|--|---|
| <p><b>Engine</b></p> <ul style="list-style-type: none"> <li>- Radiator Cooled Unit Mounted (55°C)</li> <li>- Blower Fan &amp; Fan Drive</li> <li>- Starter &amp; Alternator</li> <li>- Oil Pump &amp; Filter</li> <li>- Oil Drain Extension w/Valve</li> <li>- Governor - Electronic Isochronous</li> <li>- 24V Battery System &amp; Cables</li> <li>- Air Cleaner (Dry Single Stage)</li> <li>- SCR Catalysts / Silencer Mounted</li> <li>- Flexible Fuel Connector</li> <li>- EPA Certified Tier 4 Final</li> </ul> | <p><b>Generator</b></p> <ul style="list-style-type: none"> <li>- Brushless Single Bearing</li> <li>- Automatic Voltage Regulator</li> <li>- ± 1% Voltage Regulation</li> <li>- 4 Pole, Rotating Field</li> <li>- 105°C Standby Temperature Rise</li> <li>- 105°C Prime Temperature Rise</li> <li>- 100% of Rated Load - One Step</li> <li>- 5% Maximum Harmonic Content</li> <li>- NEMA MG 1, IEEE and ANSI Standards Compliance for Temperature Rise</li> </ul> | <p><b>Additional</b></p> <ul style="list-style-type: none"> <li>- Single Source Supplier</li> <li>- NFPA 110 / CSA C282 Compliant</li> <li>- Microprocessor Based Digital Control Panel Mounted in NEMA 12 Enclosure</li> <li>- Base - Formed Steel</li> <li>- Level 3 Sound Attenuated Enclosure</li> <li>- Trailer with Integrated 350 Gallon Fuel Tank</li> <li>- Main Line Circuit Breaker Mounted &amp; Wired</li> <li>- Battery Charger 24V 5 Amp</li> <li>- Jacket Water Heater -20°F 4000W 240V w/Isolation Valves</li> <li>- Vibration Isolation Mounts</li> <li>- 2 Year / 2000 Hour Standby Warranty</li> <li>- 1 Year / 1500 Hour Prime Warranty</li> <li>- Standard Color - White</li> </ul> |
|---|--|---|

## Application Data

### Engine

Manufacturer:	Volvo Penta	Displacement - Cu. In. (lit):	780 (12.8)
Model:	TAD1371VE	Bore - in. (cm) x Stroke - in. (cm):	5.16 (13.1) x 6.22 (15.8)
Type:	4-Cycle	Compression Ratio:	17.8:1
Aspiration:	Turbo Charged, CAC	Rated RPM:	1800
Cylinder Arrangement:	6 Cylinder Inline	Max HP Stby (kWm):	469 (345)

### Exhaust System

	Standby	Prime
Gas Temp. (Stack): °F (°C)	869 (465)	869 (465)
Gas Volume at Stack Temp: CFM (m³/min)	2,084 (59.0)	2,084 (59.0)
Maximum Allowable Exhaust Restriction (Post DPF): in. H <sub>2</sub> O (kPa)	32.0 (8.00)	32.0 (8.00)

### Cooling System

Ambient Capacity of Radiator: °F (°C)	131 (55.0)	131 (55.0)
Maximum Allowable Static Pressure on Rad. Exhaust: in. H <sub>2</sub> O (kPa)	0.50 (0.12)	0.50 (0.12)
Water Pump Flow Rate: GPM (lit/min)	90.0 (341)	90.0 (341)
Heat Rejection to Coolant: BTUM (kW)	8,815 (154)	8,815 (154)
Heat Rejection to CAC: BTUM (kW)	3,640 (63.7)	3,640 (63.7)
Heat Radiated to Ambient: BTUM (kW)	2,668 (46.7)	2,668 (46.7)

### Air Requirements

Aspirating: CFM (m³/min)	918 (26.0)	918 (26.0)
Air Flow Required for Rad. Cooled Unit: CFM (m³/min)	13,074 (370)	13,074 (370)
Air Flow Required for Heat Exchanger/Rem. Rad. CFM (m³/min)	Consult Factory For Remote Cooled Applications	

### Fuel Consumption

At 100% of Power Rating: gal/hr (lit/hr)	21.8 (82.7)	21.8 (82.7)
At 75% of Power Rating: gal/hr (lit/hr)	16.6 (62.7)	16.6 (62.7)
At 50% of Power Rating: gal/hr (lit/hr)	11.5 (43.5)	11.5 (43.5)
DEF Consumption (% of fuel consumption)	± 6.00%	± 6.00%

### Fluids Capacity

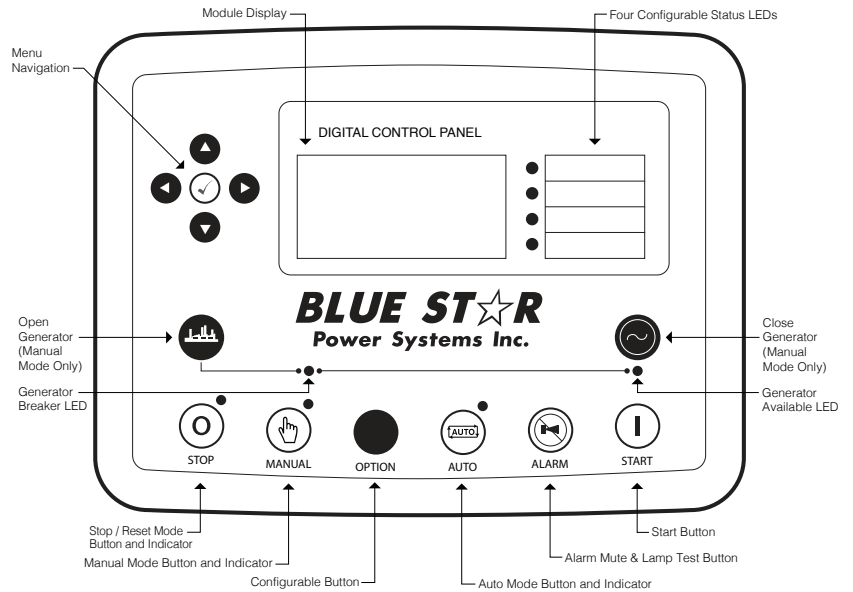
Total Oil System: gal (lit)	9.50 (36.0)	9.50 (36.0)
Engine Jacket Water Capacity: gal (lit)	5.28 (20.0)	5.28 (20.0)
System Coolant Capacity: gal (lit)	11.6 (44.0)	11.6 (44.0)
DEF Tank Capacity: gal (lit)	18.5 (70.0)	18.5 (70.0)

Deration Factors: Rated Power is available up to 4,921 Ft (1500m) at ambient temperatures to 122°F (50°C). Consult factory for site conditions above these parameters.

## DCP7310 Control Panel

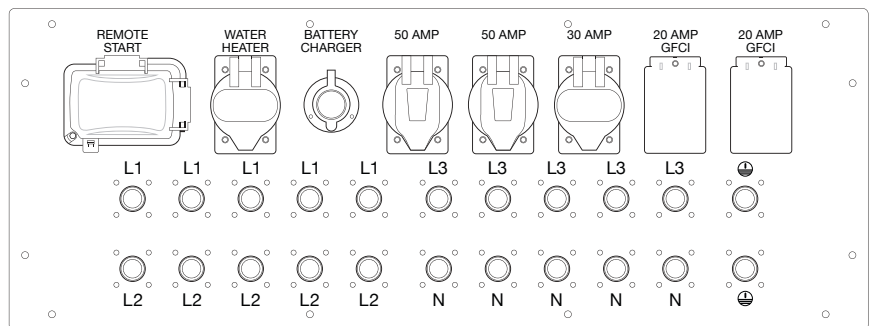
### Standard Features

- Digital Metering
- Engine Parameters
- Generator Protection Functions
- Engine Protection
- CAN Bus (J1939) ECU Communications
- Windows-Based Software
- Multilingual Capability
- Remote Communications to DSE2548 Remote Annunciator
- 8 Programmable Contact Inputs
- 10 Contact Outputs
- RS485 Communicator Interface
- cULus Listed, CE Approved
- Event Recording
- IP 65 rating (with supplied gasket) offers increased resistance to water ingress
- NFPA 110 Level 1 Compatible



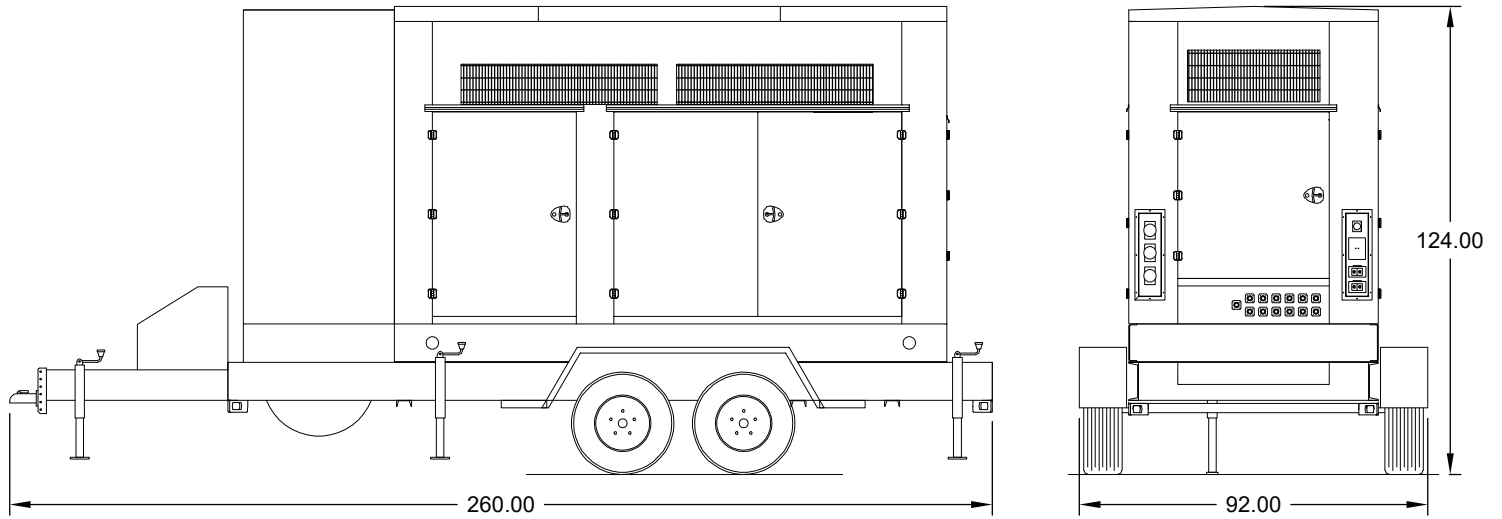
## Convenience Panel

- 2-50A 125/250VAC 3P4W Twist Lock Non-Nema CS6369
- 1-30A 125/250VAC 3P4W Twist Lock Nema L14-30R
- 2-20A 120VAC Duplex GFCI Nema 5-20R
- Thumb Screw Terminals for 2-Wire Remote Start
- 20A 240VAC Male Receptacle for Jacket Water Heater Shore Power Connection
- 15A 120VAC Male Receptacle for Battery Charger Shore Power Connection
- 13-400A Rated Female Cam Style Locking Receptacles for Load Connection



\* Drawing and configuration may vary from illustration. All drawings and dimensions subject to change without notice.

Dimensions



- Approximate Ship Weight: 15,700 lbs.
- Approximate Wet Weight: 18,200 lbs.
- Weights based on standard trailer package. Additional options may increase weight.
- Sound data measured at 23 feet (7 meters) in accordance with ISO 8528-10.

Sound Data	No Load	Full Load
	70 dBA	72 dBA

Notes

- All specification sheet dimensions are represented in inches.
- All drawings based on standard 480 volt standby generator. Lengths may vary with other voltages. All drawings and dimensions subject to change without notice.
- All enclosures and fuel tanks are based on the standard standby unit configuration. Any deviation can change dimensions.
- Sound data is measured at 23 feet (7 meters) in accordance with ISO 8528-10.
- All materials and specifications subject to change without notice.

American Owned



American Made

**Blue Star Power Systems, Inc.**

2250 Carlson Drive

North Mankato, Minnesota 56003

Phone + 1 507 345 1776

bluestarps.com

quote.bluestarps.com

sales@bluestarps.com