

BLUE STAR

Power Systems Inc.

Diesel Product Line

208-480 Volt

VD600-02FT4MP

60 Hz / 1800 RPM

600 kWe / 570 kWe

Standby / Prime

Ratings

	208V	240V	480V	Multi-Voltage
Phase	3	3	3	3
PF	0.8	0.8	0.8	0.8
Hz	60	60	60	60
Generator Model	573RSL6433	573RSL6433	572RSL6431	572RSL6433
Connection	12 LEAD WYE	12 LEAD DELTA	12 LEAD WYE	12 LEAD CONFIGURABLE
Standby kWe	600	600	600	600
AMPS	2084	1806	903	2084/903
Temp Rise	130°C / 27°C	130°C / 27°C	130°C / 27°C	130°C / 27°C
Prime kWe	570	570	570	570
AMPS	1980	1716	858	1980/858
Temp Rise	105°C / 40°C	105°C / 40°C	105°C / 40°C	105°C / 40°C

Standard Equipment

Engine	Generator	Additional
<ul style="list-style-type: none"> - Radiator Cooled Unit Mounted (55°C) - Blower Fan & Fan Drive - Starter & Alternator - Oil Pump & Filter - Oil Drain Extension w/Valve - Governor - Electronic Isochronous - 24V Battery System & Cables - Air Cleaner (Dry Single Stage) - SCR Catalysts / Silencer Mounted - Flexible Fuel Connector - EPA Certified Tier 4 Final 	<ul style="list-style-type: none"> - Brushless Single Bearing - Automatic Voltage Regulator - ± 0.25% Voltage Regulation - 4 Pole, Rotating Field - 130°C Standby Temperature Rise - 105°C Prime Temperature Rise - 100% of Rated Load - One Step - 5% Maximum Harmonic Content - NEMA MG 1, IEEE and ANSI Standards Compliance for Temperature Rise 	<ul style="list-style-type: none"> - Single Source Supplier - NFPA 110 / CSA C282 Compliant - Microprocessor Based Digital Control Panel Mounted in NEMA 12 Enclosure - Base - Channel Steel - Level 3 Sound Attenuated Enclosure - Trailer with Integrated 550 Gallon Fuel Tank - Main Line Circuit Breaker Mounted & Wired - Battery Charger 24V 5 Amp - Jacket Water Heater -20°F 5000W 240V w/Isolation Valves - Vibration Isolation Mounts - 2 Year / 2000 Hour Standby Warranty - 1 Year / 1500 Hour Prime Warranty - Standard Color - White

Application Data

Engine

Manufacturer:	Volvo Penta	Displacement - Cu. In. (lit):	984 (16.12)
Model:	TWD1673GE	Bore - in. (cm) x Stroke - in. (cm):	5.67 (14.4) x 6.50 (16.5)
Type:	4-Cycle	Compression Ratio:	16.8:1
Aspiration:	Turbo Charged, H2O to Air CAC	Rated RPM:	1800
Cylinder Arrangement:	6 Cylinder Inline	Max HP Stby (kWm):	932 (695)

Exhaust System

	Standby	Prime
Gas Temp. (Stack): °F (°C)	903 (484)	851 (455)
Gas Volume at Stack Temp: CFM (m³/min)	4,866 (138)	4,471 (127)
Maximum Allowable Exhaust Restriction (Post DPF): in. H ₂ O (kPa)	40.0 (10.0)	40.0 (10.0)

Cooling System

Ambient Capacity of Radiator: °F (°C)	131 (55.0)	131 (55.0)
Maximum Allowable Static Pressure on Rad. Exhaust: in. H ₂ O (kPa)	0.50 (0.12)	0.50 (0.12)
Water Pump Flow Rate: GPM (lit/min)	95.1 (360)	95.1 (360)
Heat Rejection to Coolant: BTUM (kW)	13,933 (245)	12,682 (222)
Heat Rejection to CAC: BTUM (kW)	12,284 (216)	11,829 (208)
Heat Radiated to Ambient: BTUM (kW)	3,928 (68.7)	3,732 (65.3)

Air Requirements

Aspirating: CFM (m³/min)	1,805 (51.1)	1,699 (48.1)
Air Flow Required for Rad. Cooled Unit: CFM (m³/min)	29,470 (834)	29,470 (834)
Air Flow Required for Heat Exchanger/Rem. Rad. CFM (m³/min)	Consult Factory For Remote Cooled Applications	

Fuel Consumption

At 100% of Power Rating: gal/hr (lit/hr)	42.8 (162)	40.1 (152)
At 75% of Power Rating: gal/hr (lit/hr)	29.7 (112)	26.9 (101)
At 50% of Power Rating: gal/hr (lit/hr)	20.0 (75.7)	18.3 (69.3)
DEF Consumption (% of fuel consumption)	± 6.00%	± 6.00%

Fluids Capacity

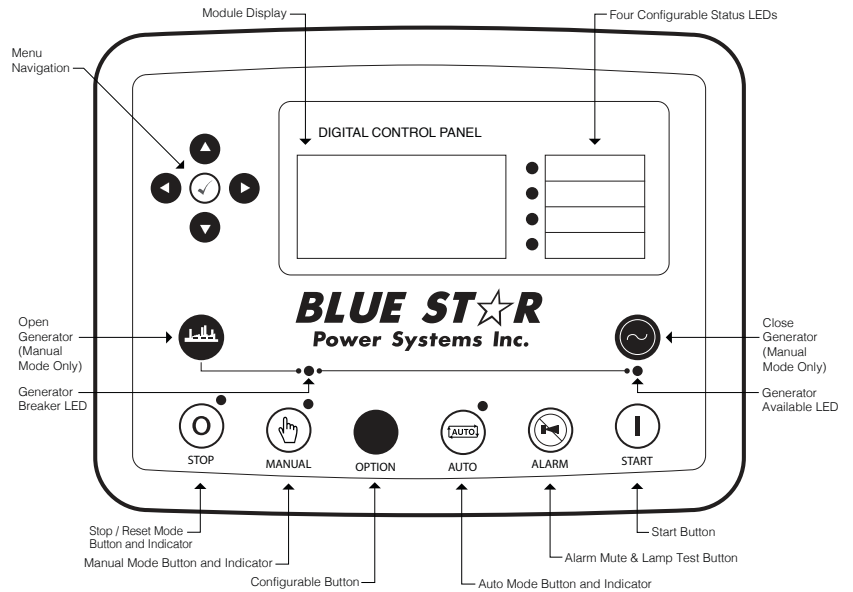
Total Oil System: gal (lit)	12.7 (48.0)	12.7 (48.0)
Engine Jacket Water Capacity: gal (lit)	8.72 (33.0)	8.72 (33.0)
System Coolant Capacity: gal (lit)	25.1 (95.0)	25.1 (95.0)
DEF Tank Capacity: gal (lit)		

Deration Factors: Rated Power is available up to 4,921 Ft (1500m) at ambient temperatures to 122°F (50°C). Consult factory for site conditions above these parameters.

DCP7310 Control Panel

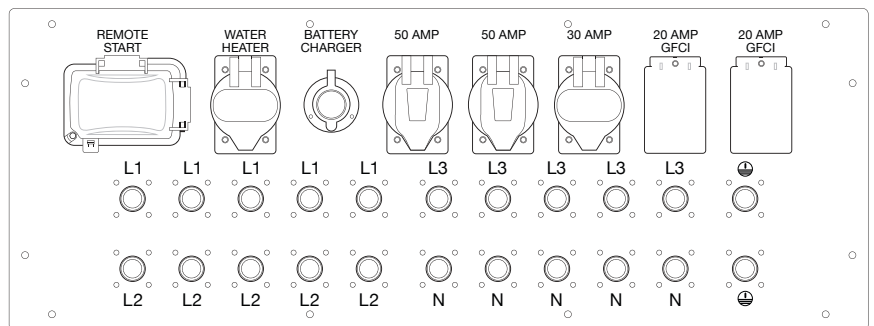
Standard Features

- Digital Metering
- Engine Parameters
- Generator Protection Functions
- Engine Protection
- CAN Bus (J1939) ECU Communications
- Windows-Based Software
- Multilingual Capability
- Remote Communications to DSE2548 Remote Annunciator
- 8 Programmable Contact Inputs
- 10 Contact Outputs
- RS485 Communicator Interface
- cULus Listed, CE Approved
- Event Recording
- IP 65 rating (with supplied gasket) offers increased resistance to water ingress
- NFPA 110 Level 1 Compatible



Convenience Panel

- 2-50A 125/250VAC 3P4W Twist Lock Non-Nema CS6369
- 1-30A 125/250VAC 3P4W Twist Lock Nema L14-30R
- 2-20A 120VAC Duplex GFCI Nema 5-20R
- Thumb Screw Terminals for 2-Wire Remote Start
- 30A 240VAC Male Receptacle for Jacket Water Heater Shore Power Connection
- 15A 120VAC Male Receptacle for Battery Charger Shore Power Connection
- 22-400A Rated Female Cam Style Locking Receptacles for Load Connection



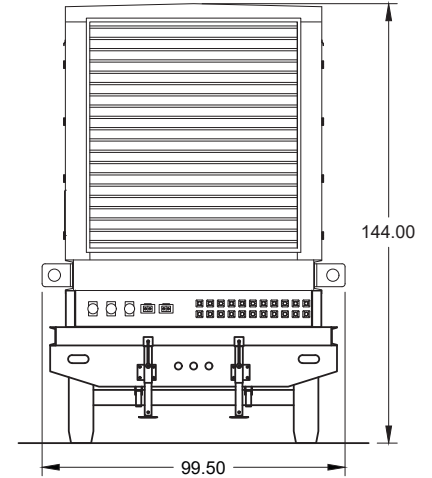
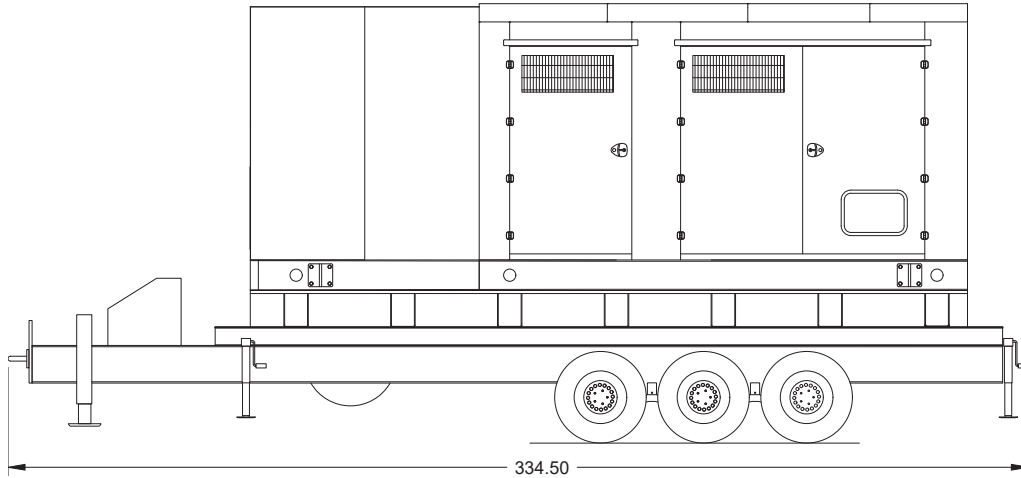
* Drawing and configuration may vary from illustration. All drawings and dimensions subject to change without notice.

Diesel Product Line

600 kWe / 570 kWe



Dimensions



- Approximate Ship Weight: 25,000 lbs.
- Approximate Wet Weight: 29,000 lbs.
- Weights based on standard trailer package. Additional options may increase weight.
- Sound data measured at 23 feet (7 meters) in accordance with ISO 8528-10.

Sound Data

No Load	Full Load
74 dBA	76 dBA

Notes

- All specification sheet dimensions are represented in inches.
- All drawings based on standard 480 volt standby generator. Lengths may vary with other voltages. All drawings and dimensions subject to change without notice.
- All enclosures and fuel tanks are based on the standard standby unit configuration. Any deviation can change dimensions.
- Sound data is measured at 23 feet (7 meters) in accordance with ISO 8528-10.
- All materials and specifications subject to change without notice.

American Owned



American Made

Blue Star Power Systems, Inc.

2250 Carlson Drive

North Mankato, Minnesota 56003

Phone + 1 507 345 1776

bluestarps.com

quote.bluestarps.com

sales@bluestarps.com