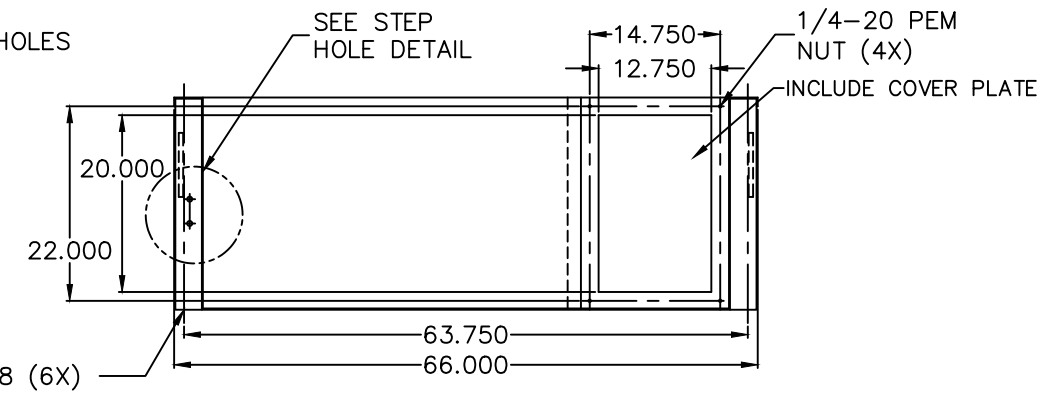
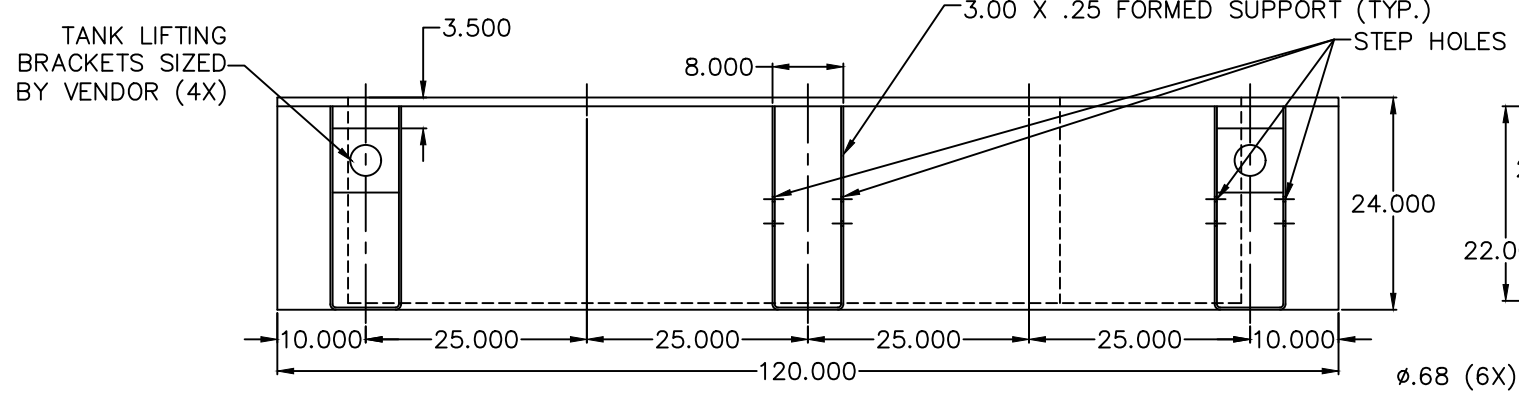
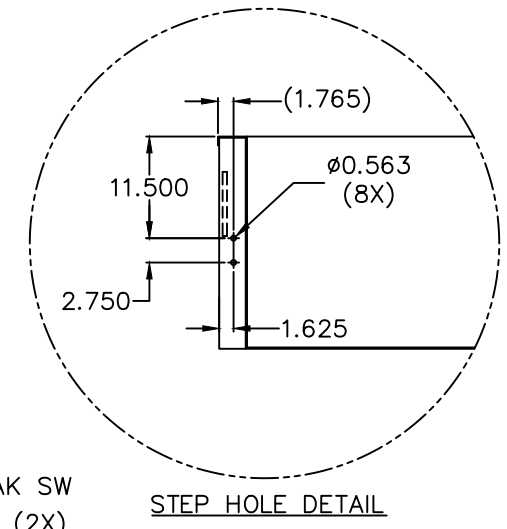
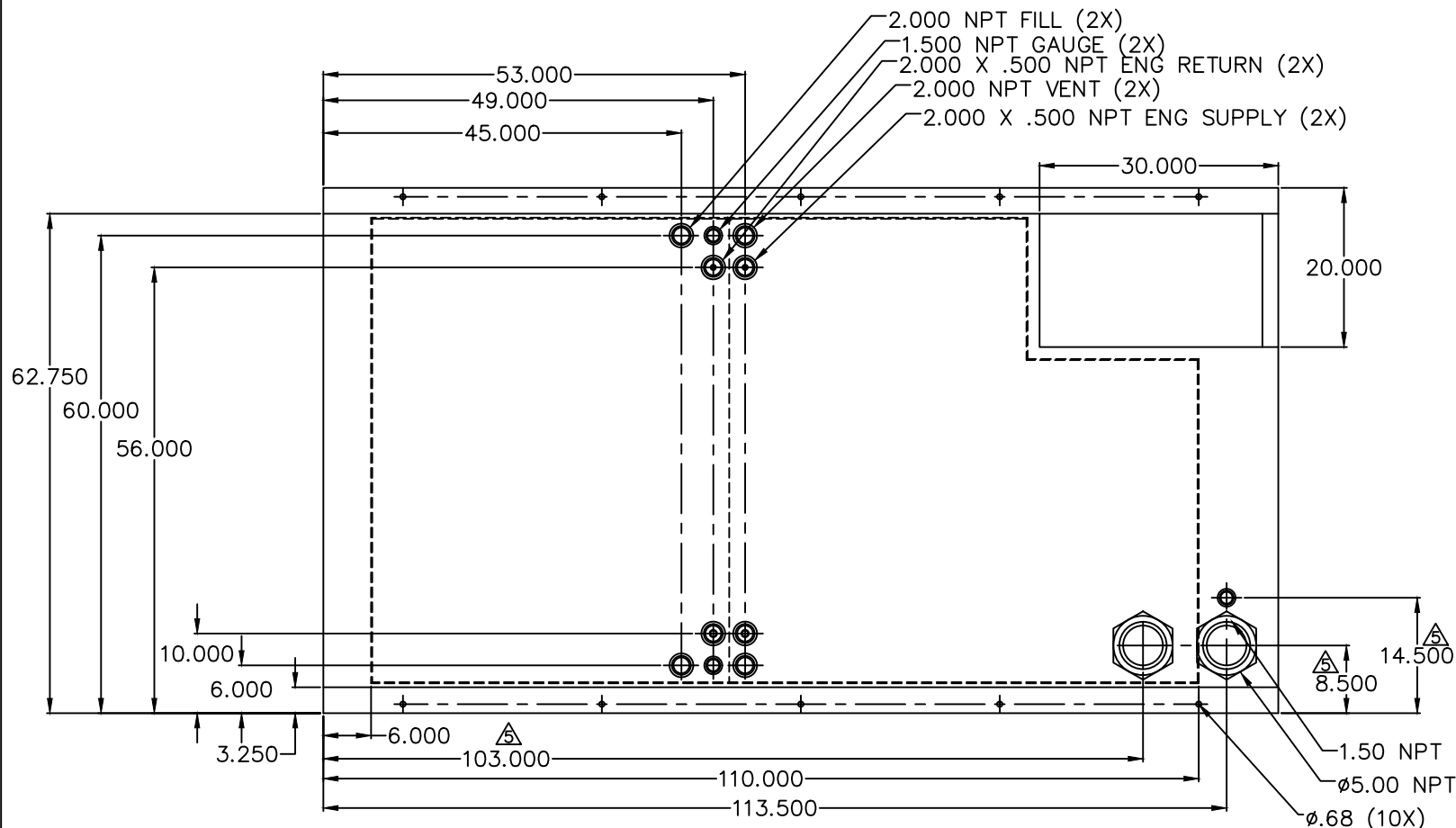


24HR TANK
JD250, JD275, JD300
VD250, VD300 (02FT4 & 01)
TD250, TD275, TD300
PD250, PD300
LV0/LV1/LV2/LV3



REVISIONS:			
LEVEL:	DESCRIPTION:	DATE:	BY:
05	CHANGED E-VENT LOCATIONS	5-24-19	MGH
04	CHANGED E-VENTS TO 5.00"	4-17-19	TDH
03	MOVED E-VENT; MIRRORED FITTING CLUSTER	2-2-17	TDH
02	MOVED E-VENT 2.00" TO THE RIGHT	9-21-16	TDH
01	DELETED (4) FORMED SUPPORTS	3-17-16	TDH

BLUE STAR
Power Systems Inc.

TANK SB 540GL DW UL W/STUB-UP

P/N: 19153 | 120"L X 66"W X 24"H

DATE: 12-16-15 | BY: KDH | DRAWN TO SCALE

- NOTES:
 1. MATERIAL: 10GA
 2. SECONDARY CONTAINMENT TANK
 3. FINISH PAINT GLOSS BLACK

APPROXIMATE WEIGHT: 2200 LBS