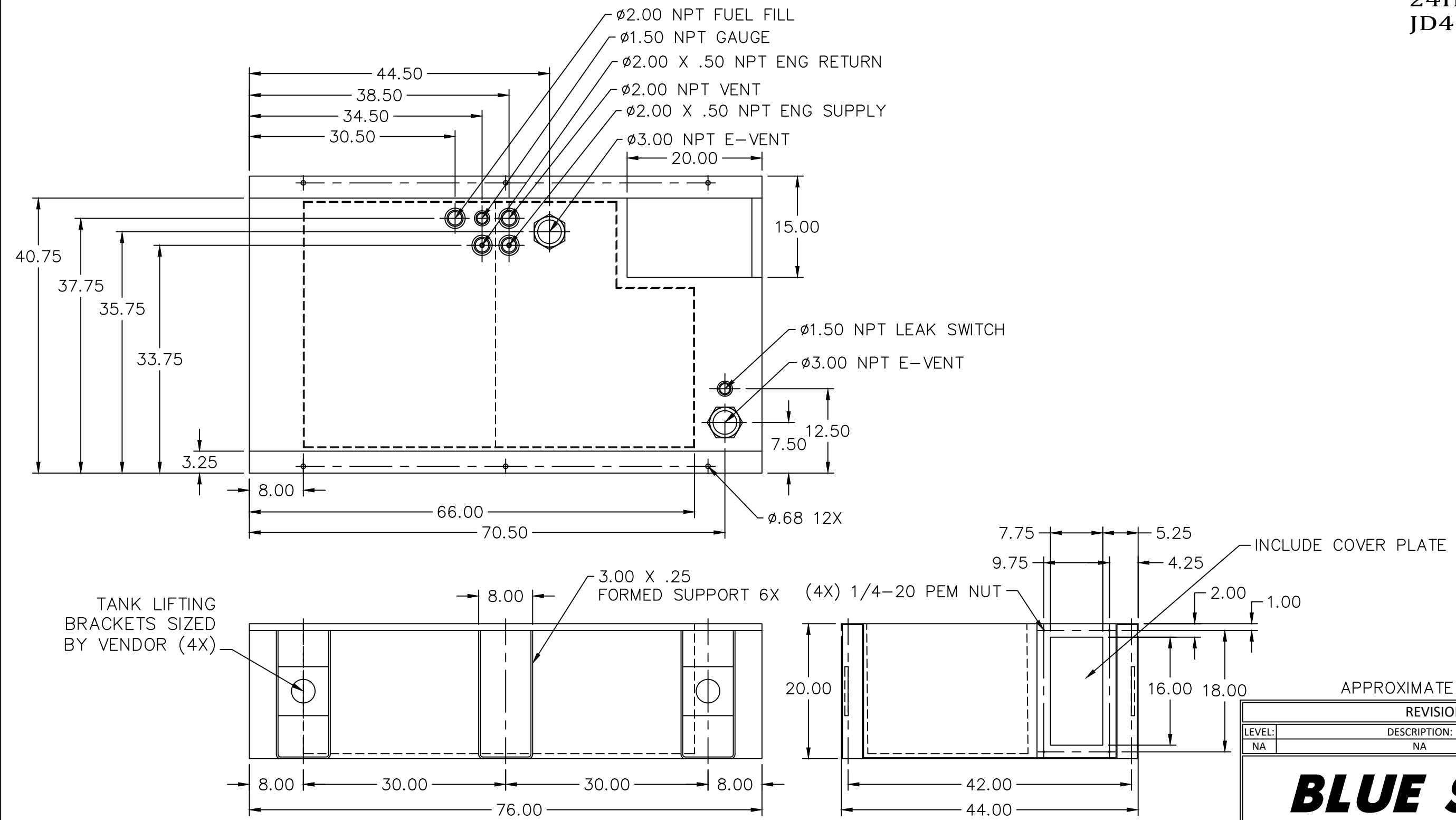


**24HR TANK
JD40-04FT4**



APPROXIMATE WEIGHT: 800LBS

REVISIONS:			
LEVEL:	DESCRIPTION:	DATE:	BY:
NA	NA	NA	NA

BLUE STAR
Power Systems Inc.

TANK SB 150GL DW UL W/ STUB-UP

P/N: 25763 76"L X 44"W X 20"H

DATE: 06-19-19 BY: JJH DRAWN TO SCALE

- NOTES:
1. MATERIAL: 10GA
 2. SECONDARY CONTAINMENT TANK
 3. FINISH: GLOSS BLACK
 4. TANK TO INCLUDE
 - FUEL SUPPLY / RETURN DIP TUBES
 - LIFTING / TIE DOWN BRACKETS