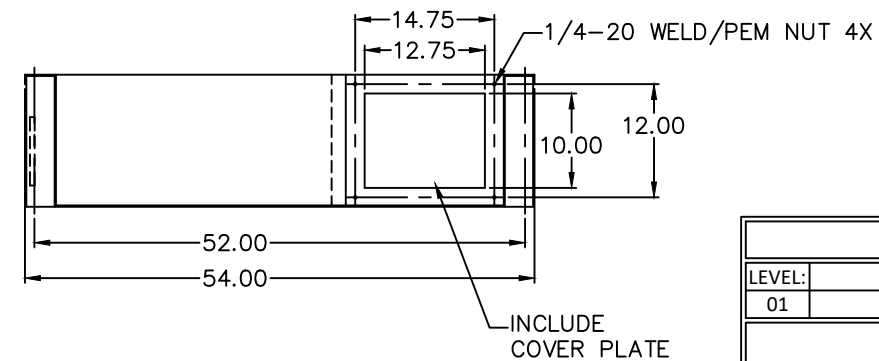
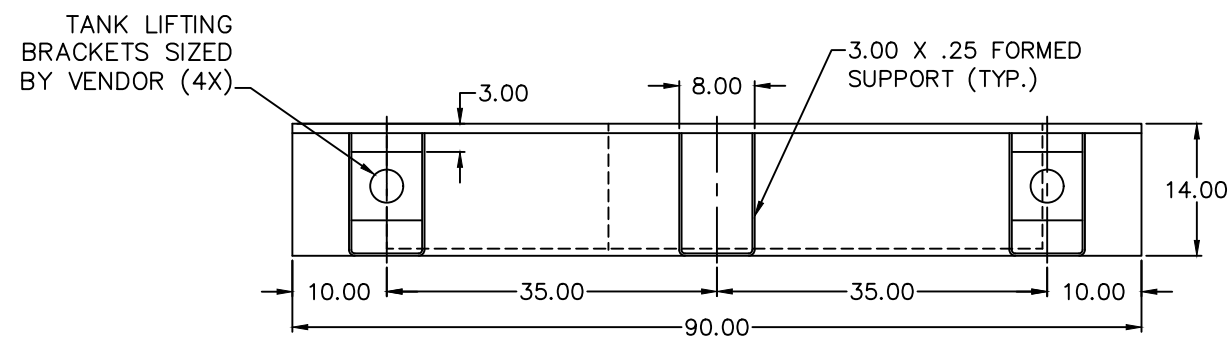
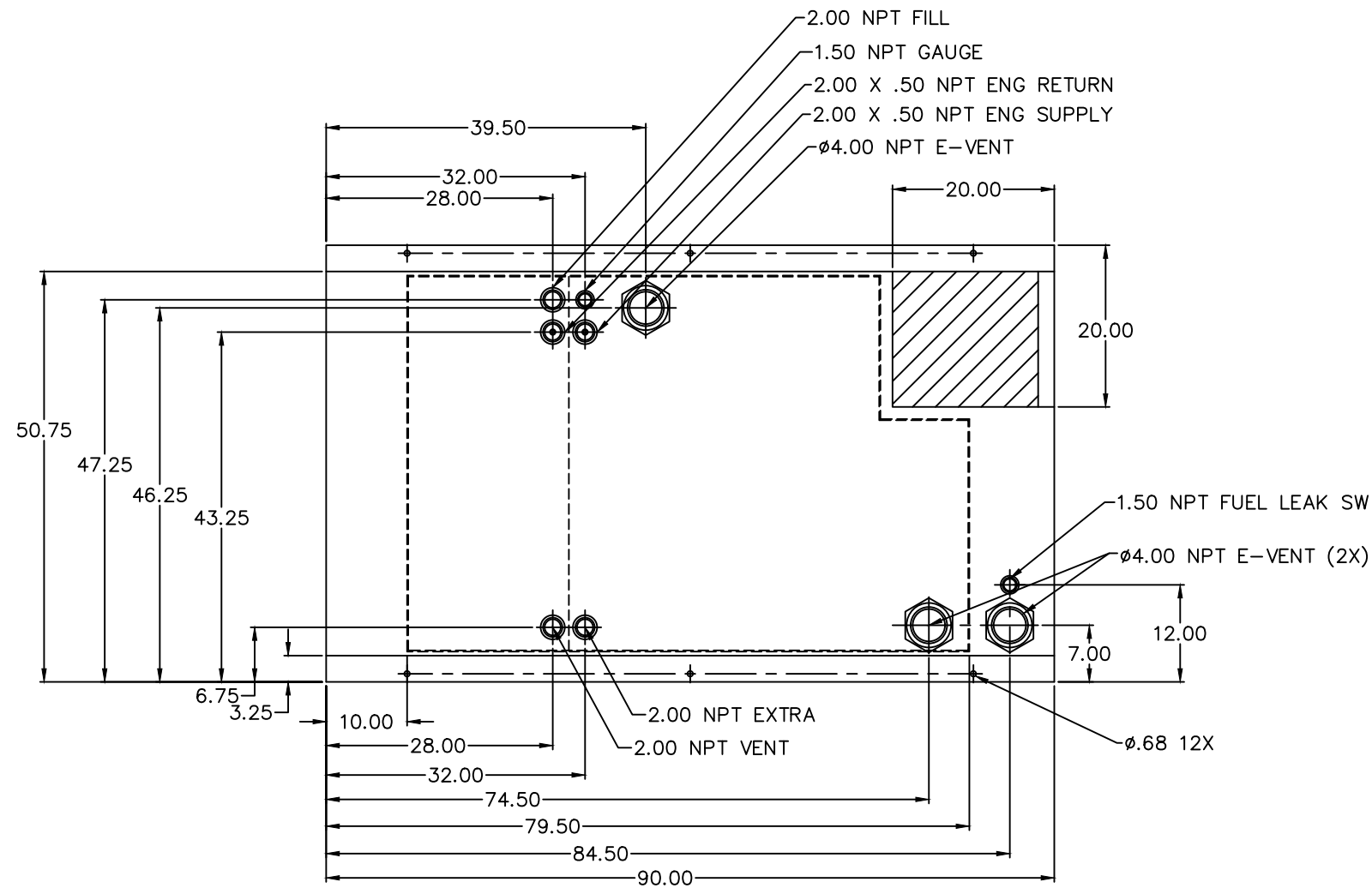


24HR  
JD60-04FT4  
JD80-04FT4



- NOTES:
1. MATERIAL: 10GA
  2. SECONDARY CONTAINMENT TANK
  3. FINISH: GLOSS BLACK
  4. TANK TO INCLUDE
    - FUEL SUPPLY / RETURN DIP TUBES
    - LIFTING / TIE DOWN BRACKETS

REVISIONS:			
LEVEL:	DESCRIPTION:	DATE:	BY:
01	MOVE BUNGS, ADD 2" SPARE	07-30-20	ATB

**BLUE STAR**  
Power Systems Inc.

TANK SB 150GL DW UL/ULC W/STUB-UP

P/N: 25655 | 90"L X 54"W X 14"H

APPROXIMATE WEIGHT: 1200 LBS

DATE: 04-14-20 | BY: ATB | DRAWN TO SCALE