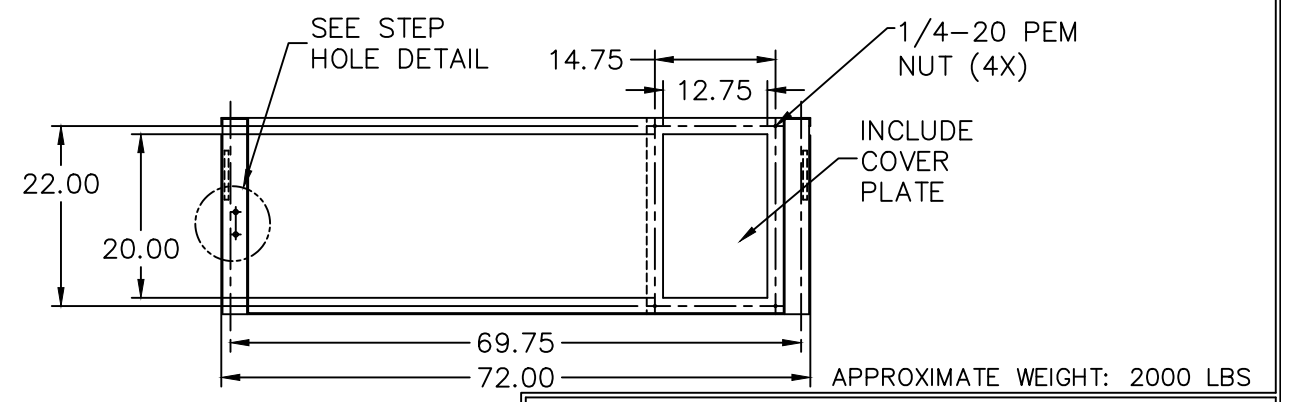
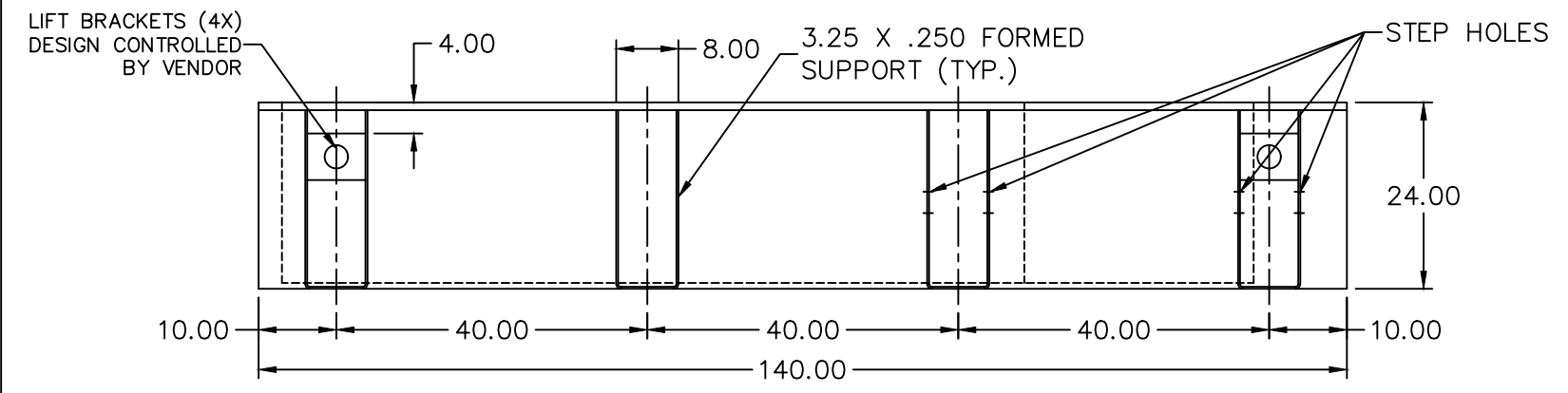
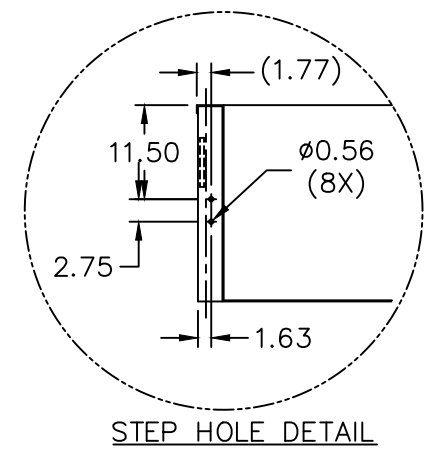
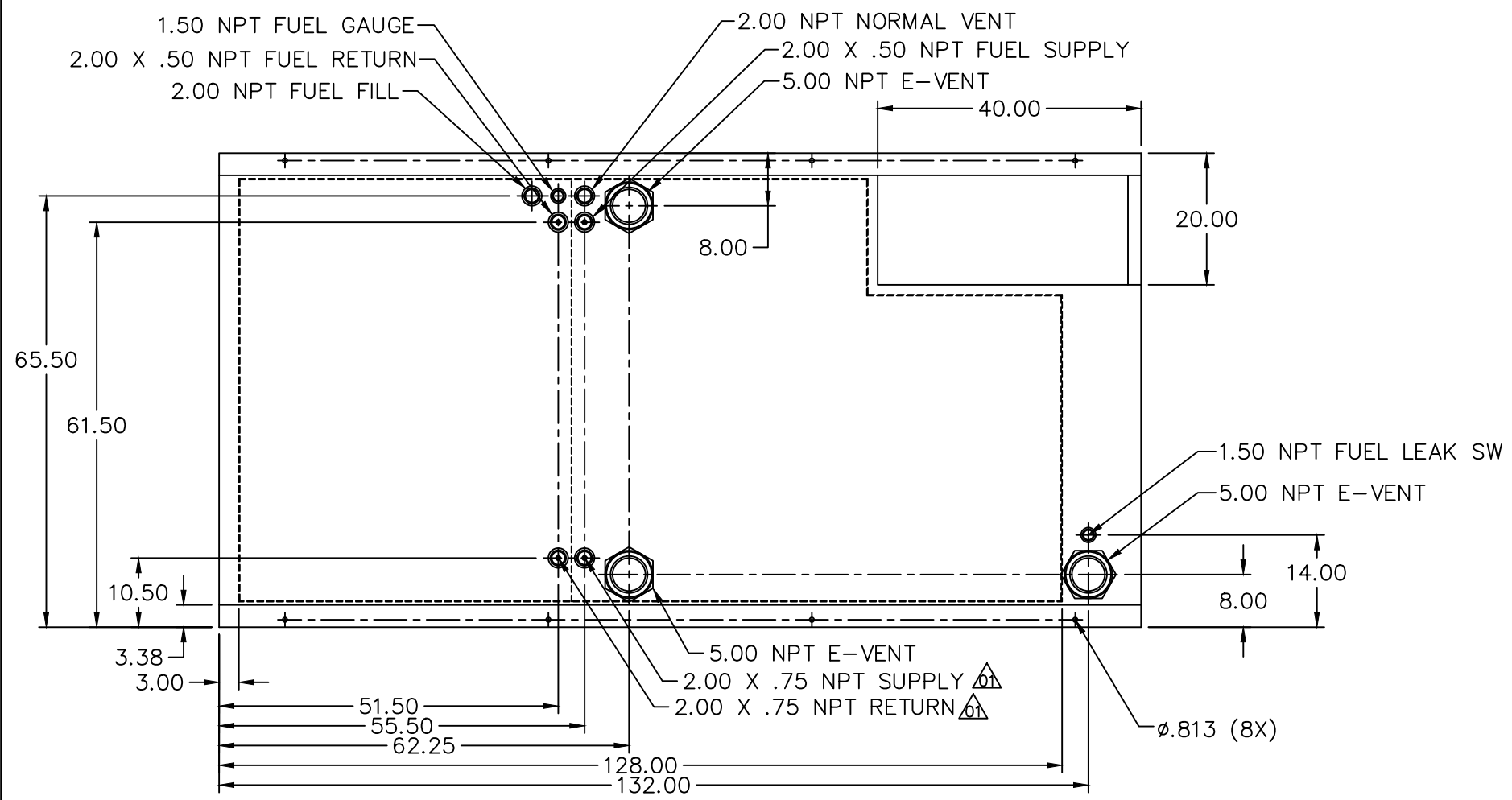


24HR TANK
VD350, VD400 (FT4)
TD350, TD400
PD350, PD400
LV0/LV1/LV2/LV3



- NOTES:
1. MATERIAL: 10GA
 2. SECONDARY CONTAINMENT TANK
 3. FINISH PAINT GLOSS BLACK
 4. TANK TO INCLUDE
 - FUEL SUPPLY / RETURN DIP TUBES
 - LIFTING / TIE DOWN BRACKETS

| REVISIONS: | | | |
|------------|--|----------|-----|
| LEVEL: | DESCRIPTION: | DATE: | BY: |
| 01 | CHANGE 2.00 NPT EXTRAS TO 2.00 X .75 NPT SUPPLY/RETURN | 02-18-21 | CRC |

BLUE STAR
Power Systems Inc.

TANK SB 710GL DW UL W/STUB-UP

P/N: 21842 | 140"L X 72"W X 24"H

DATE: 07-05-17 | BY: KAP | DRAWN TO SCALE