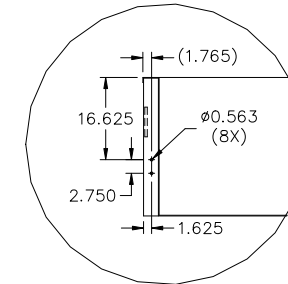
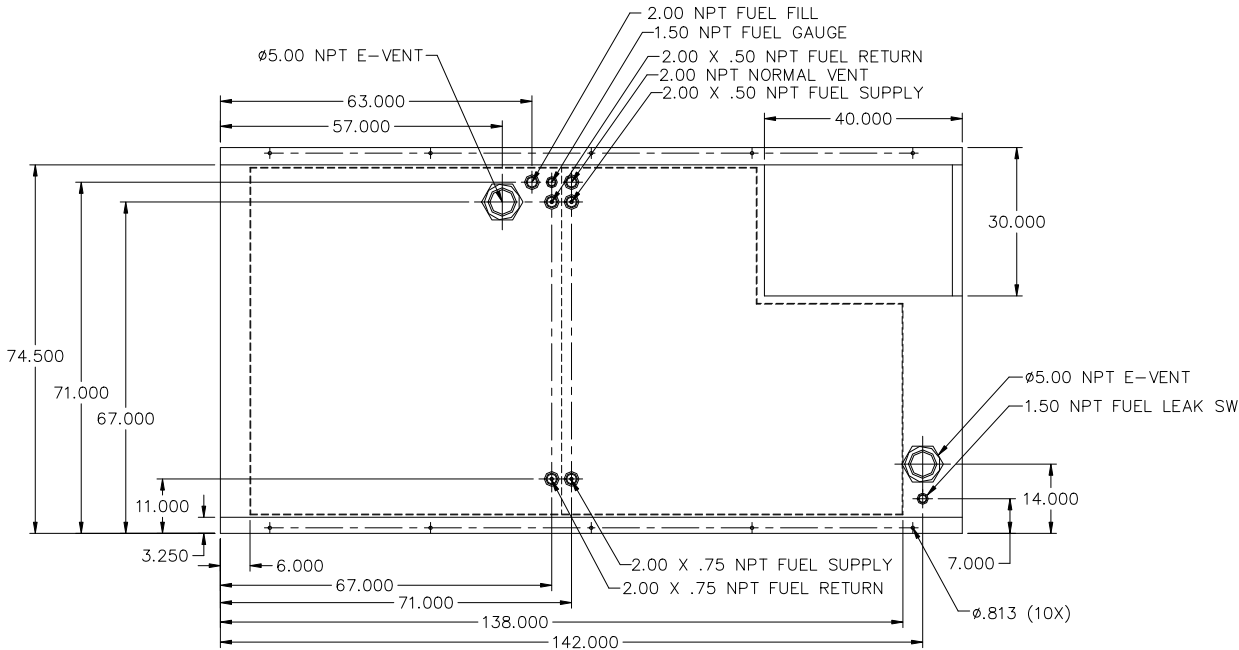
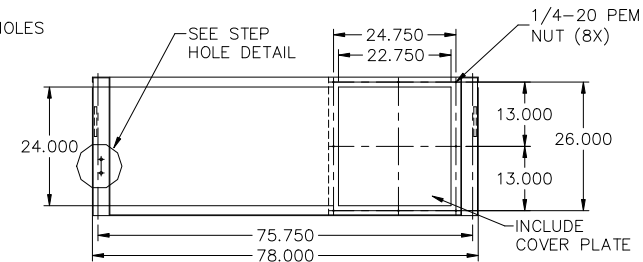
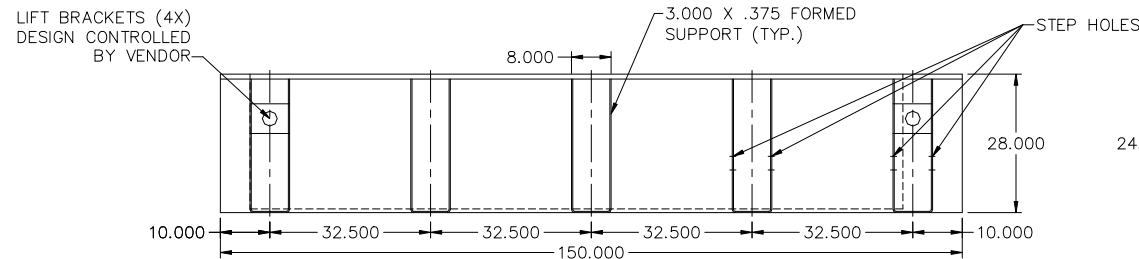


24HR TANK PD450-500 LV0, LV1, LV2, LV3



STEP HOLE DETAIL



APPROXIMATE WEIGHT: 3600LBS

REVISIONS:

LEVEL:	DESCRIPTION:	DATE:	BY:
NA	NA	NA	NA

BLUE STAR
Power Systems Inc.

TANK SB 900GL DW UL/ULC W/STUB-UP

P/N: 29219 | 150"L X 78"W X 28"H

DATE: 02-23-21

BY: ATB

DRAWN TO SCALE

NOTES:

1. MATERIAL: PER VENDOR'S UL/ULC REQUIRMENTS
2. SECONDARY CONTAINMENT TANK
3. FINISH PAINT BLACK HAMMERED
4. TANK TO INCLUDE
 - FUEL SUPPLY / RETURN DIP TUBES
 - LIFTING / TIE DOWN BRACKETS