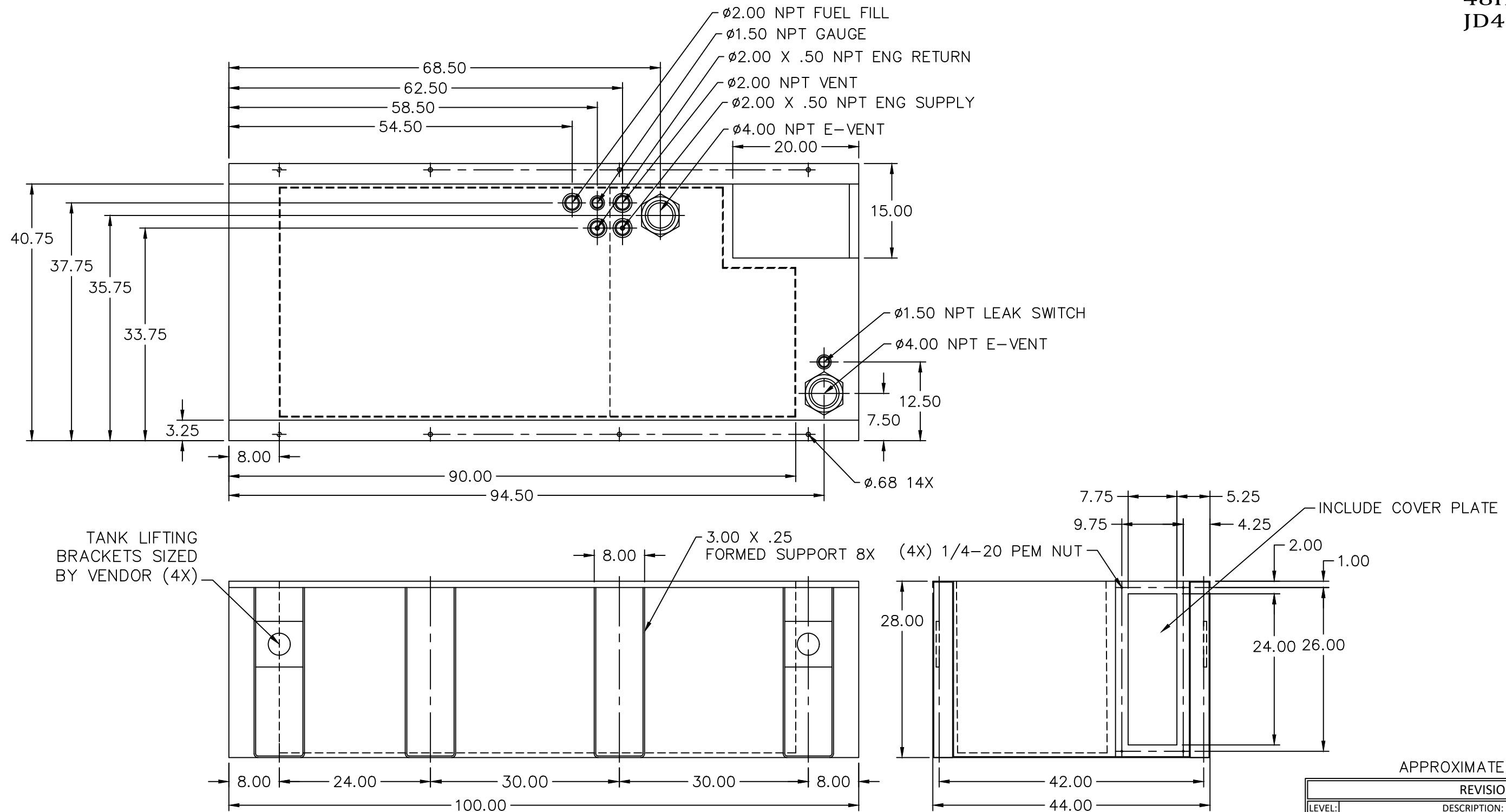


48HR TANK
JD40-04FT4



TANK LIFTING BRACKETS SIZED BY VENDOR (4X)

APPROXIMATE WEIGHT: 1200LBS

NOTES:

1. MATERIAL: 10GA
2. SECONDARY CONTAINMENT TANK
3. FINISH: GLOSS BLACK
4. TANK TO INCLUDE
 - FUEL SUPPLY / RETURN DIP TUBES
 - LIFTING / TIE DOWN BRACKETS

REVISIONS:			
LEVEL:	DESCRIPTION:	DATE:	BY:
NA	NA	NA	NA

BLUE STAR
Power Systems Inc.

TANK SB 300GL DW UL W/ STUB-UP

P/N: 25764	100"L X 44"W X 28"H
DATE: 06-19-19	BY: JJH
	DRAWN TO SCALE

UNLESS OTHERWISE SPECIFIED DIMENSIONS ARE IN INCHES - DO NOT SCALE DRAWING						
SHEET METAL			STRUCTURAL STEEL			
ANGLES	.X	.XX	.XXX	STRAIGHTNESS PER 8FT	.X	.XX
± 1.0°	± .13	± .06	± .06	-.18	± .18	± .06