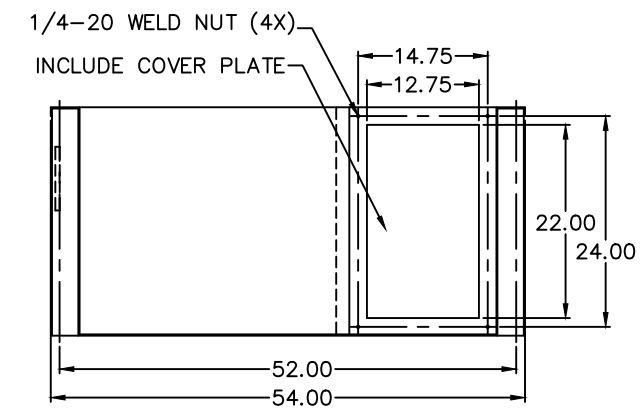
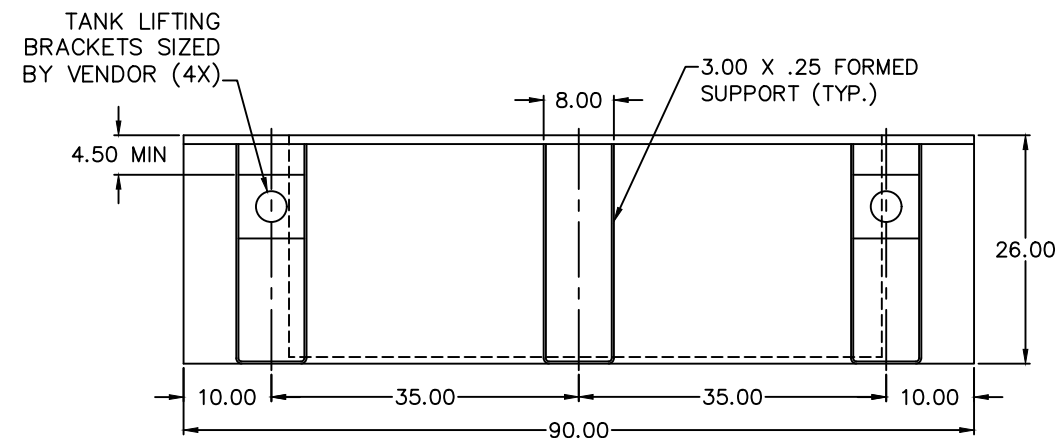
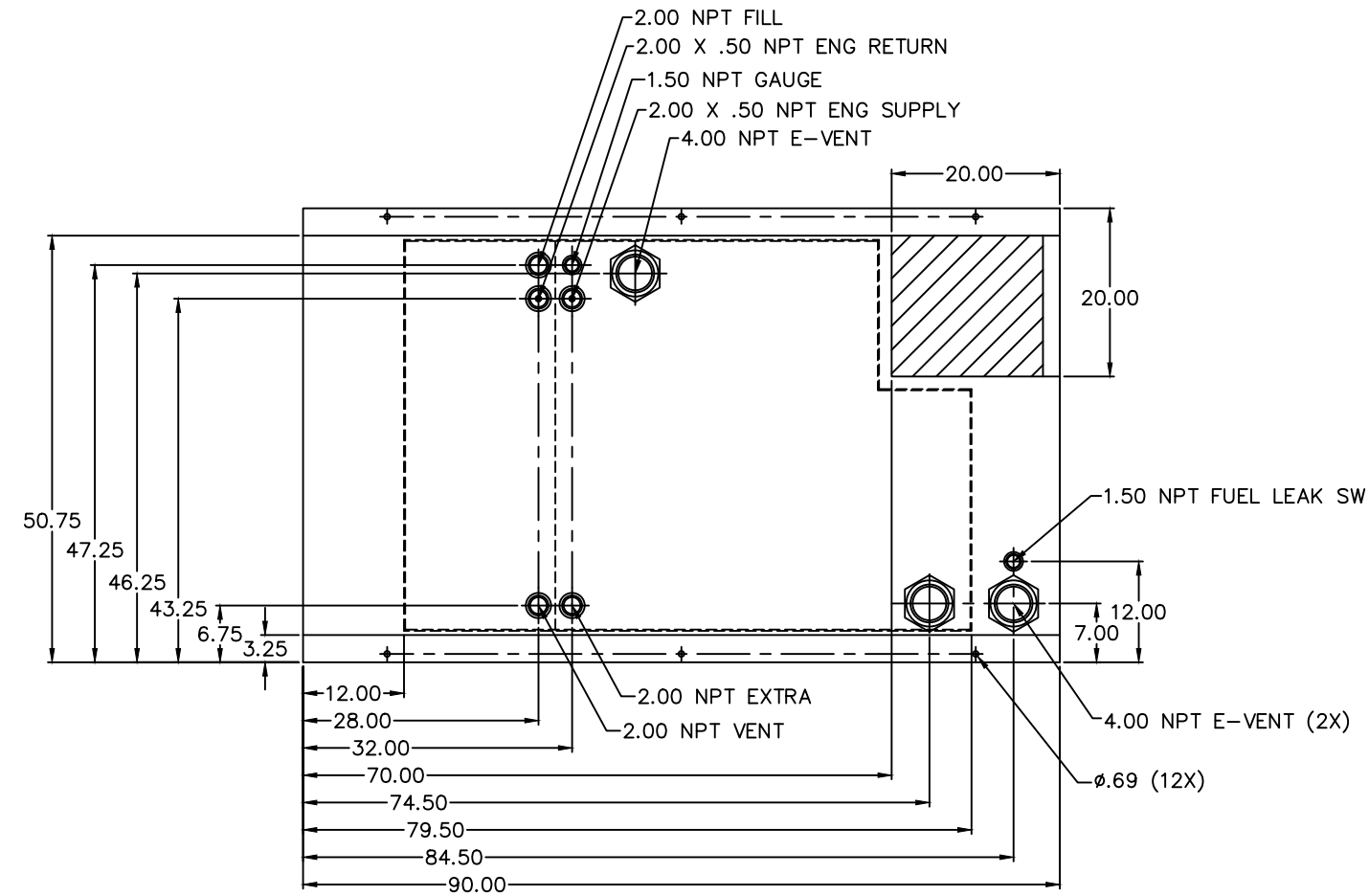


48HR
JD60-04FT4
JD80-04FT4



- NOTES:
1. MATERIAL: 10GA
 2. SECONDARY CONTAINMENT TANK
 3. FINISH: BLACK HAMMERED
 4. TANK TO INCLUDE
 - FUEL SUPPLY / RETURN DIP TUBES
 - LIFTING / TIE DOWN BRACKETS

APPROXIMATE WEIGHT: 1400 LBS

REVISIONS:			
LEVEL:	DESCRIPTION:	DATE:	BY:
NA	NA	NA	NA
BLUE STAR Power Systems Inc.			
TANK SB 300GL DW UL W/STUB-UP			
P/N: 28229	90"L X 54"W X 26"H		
DATE: 03-18-21	BY: MGH	DRAWN TO SCALE	