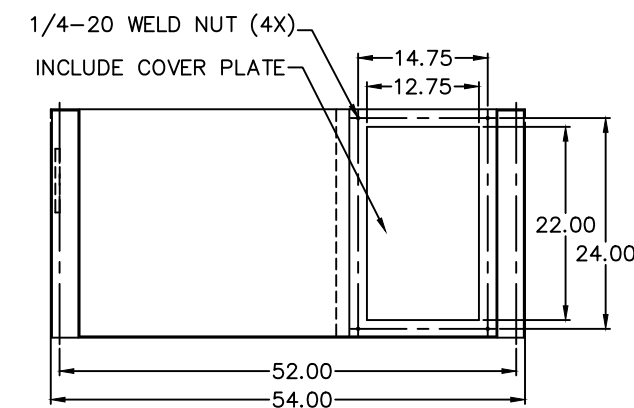
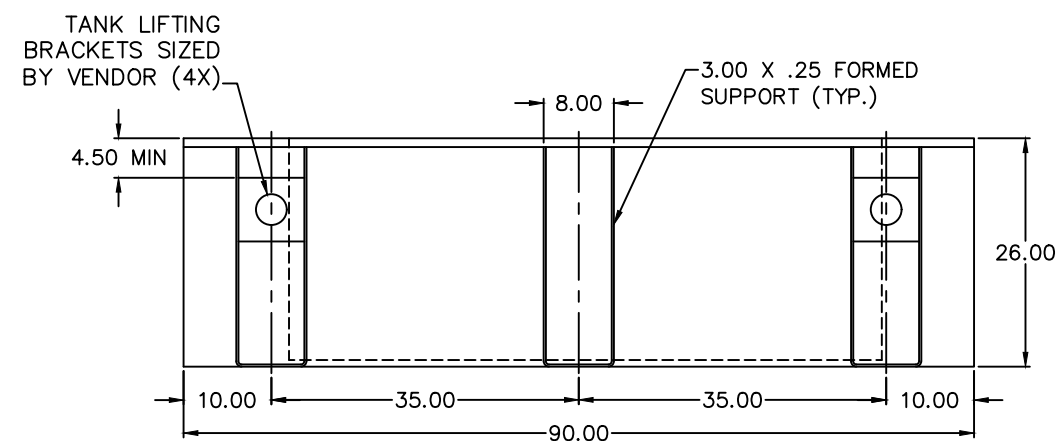
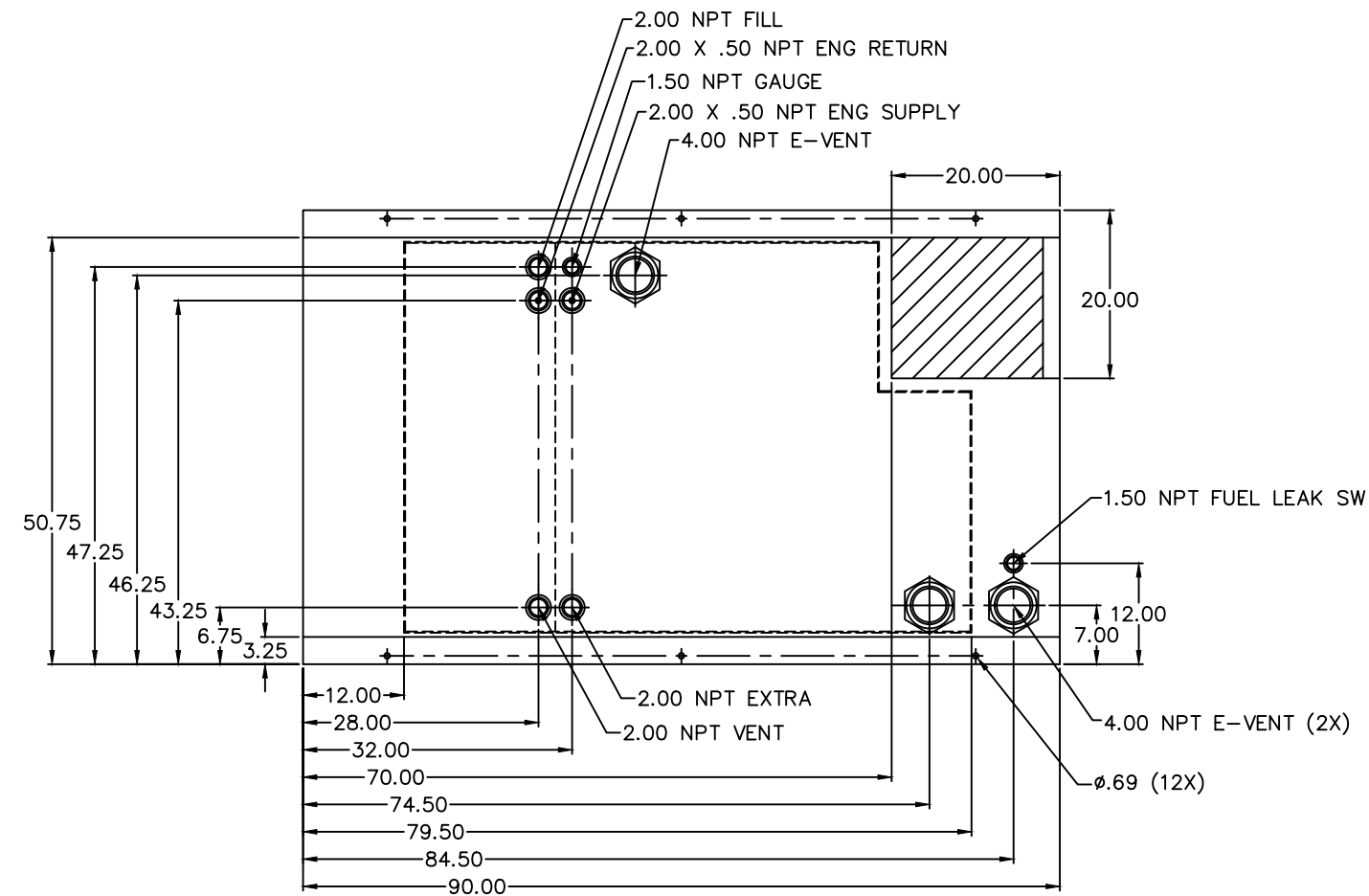


48HR  
JD60-04FT4  
JD80-04FT4



- NOTES:
1. MATERIAL: 10GA
  2. SECONDARY CONTAINMENT TANK
  3. FINISH: BLACK HAMMERED
  4. TANK TO INCLUDE
    - FUEL SUPPLY / RETURN DIP TUBES
    - LIFTING / TIE DOWN BRACKETS

APPROXIMATE WEIGHT: 1400 LBS

REVISIONS:			
LEVEL:	DESCRIPTION:	DATE:	BY:
NA	NA	NA	NA

**BLUE STAR**  
Power Systems Inc.

TANK SB 300GL DW UL W/STUB-UP

P/N: 28229 | 90"L X 54"W X 26"H

DATE: 03-18-21 | BY: MGH | DRAWN TO SCALE