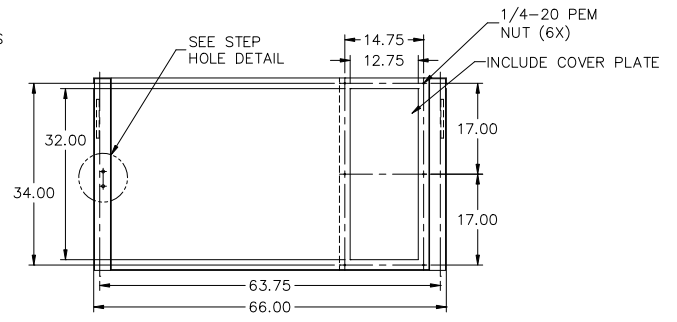
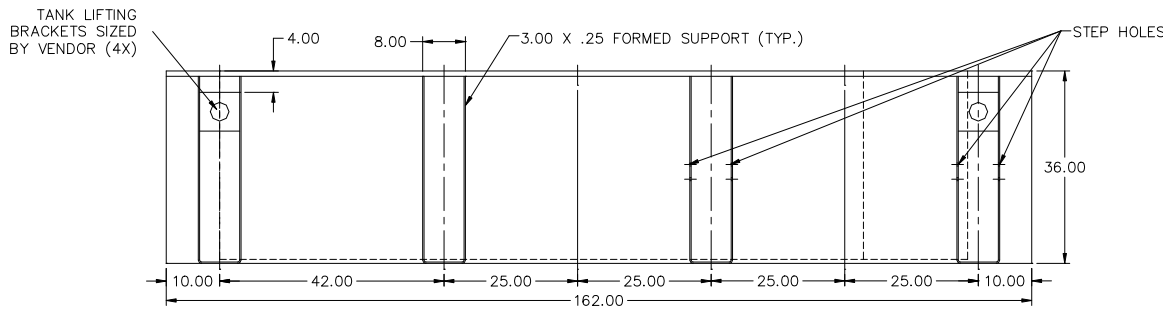
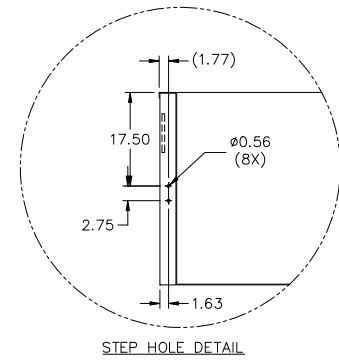
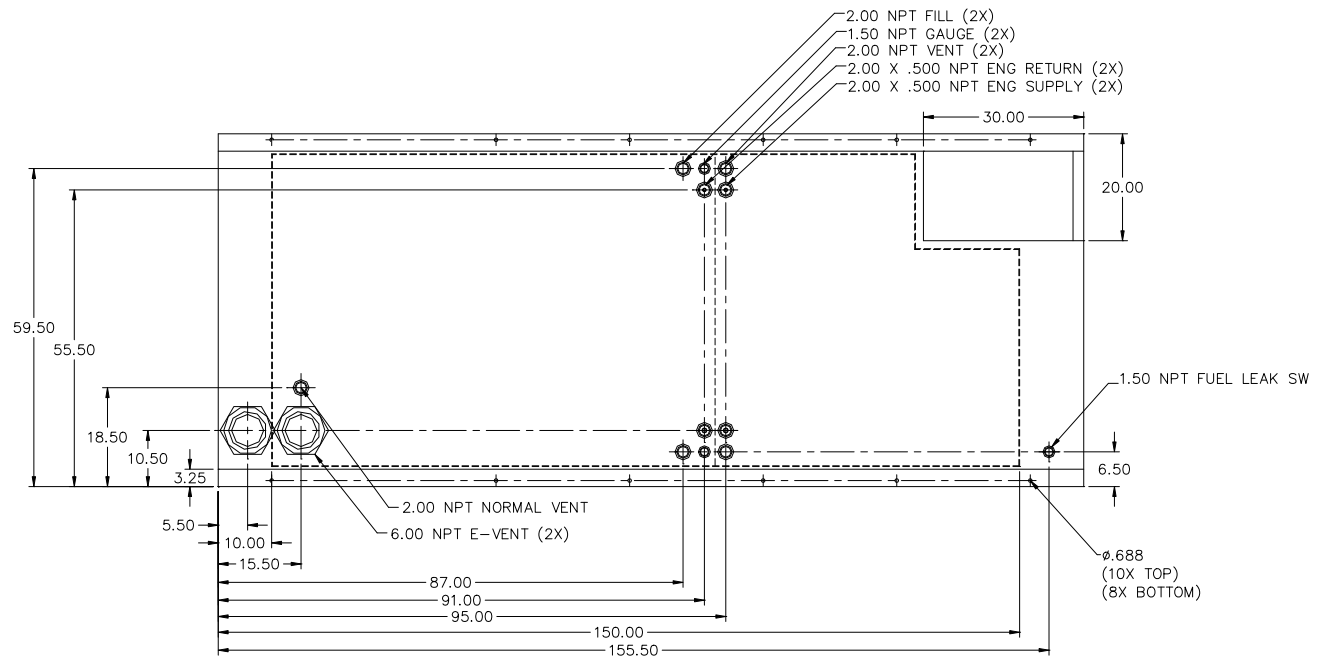


48HR TANK
JD250, JD275, JD300
VD250,VD300 (FT4 & 01)
TD250,TD275, TD300
PD250,PD275, PD300
LV0/LV1/LV2/LV3



APPROXIMATE WEIGHT: 2700 LBS

- NOTES:
1. MATERIAL: 10GA. RUPTURE BASIN
10GA. INNER TANK
 2. SECONDARY CONTAINMENT TANK
 3. FINISH PAINT GLOSS BLACK
 4. TANK TO INCLUDE
 - FUEL SUPPLY / RETURN DIP TUBES
 - LIFTING / TIE DOWN BRACKETS

REVISIONS:			
LEVEL:	DESCRIPTION:	DATE:	BY:
04	ADDED ULC TO TANK DESCRIPTION	01-21-20	MGH
03	CHANGED E-VENTS TO 6.00"	11-12-19	TDH
02	MOVED VENTS, MIRRORRED MAIN CLUSTER	09-21-17	KAP
01	REMOVED 4 SUPPORT LEGS	05-21-16	KAP

BLUE STAR
 Power Systems Inc.

TANK SB 1080GL DW UL/ULC W/STUB-UP			
P/N: 18010	162"L X 66"W X 36"H		
DATE: 12-17-15	BY: KDH	DRAWN TO SCALE	