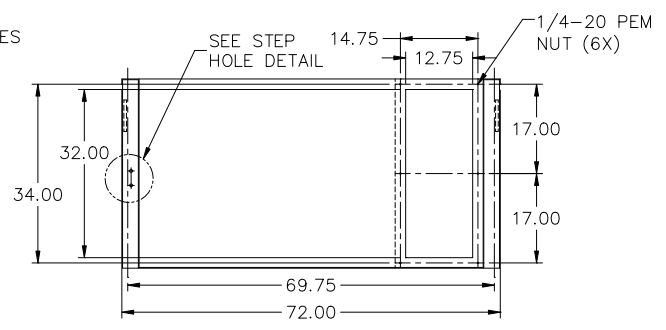
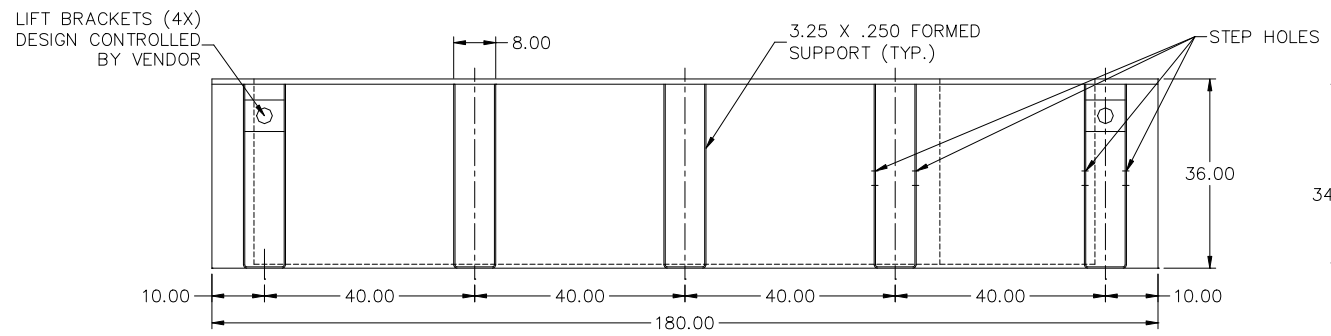
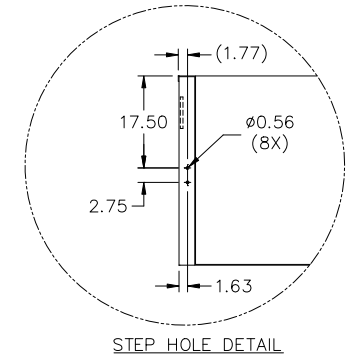
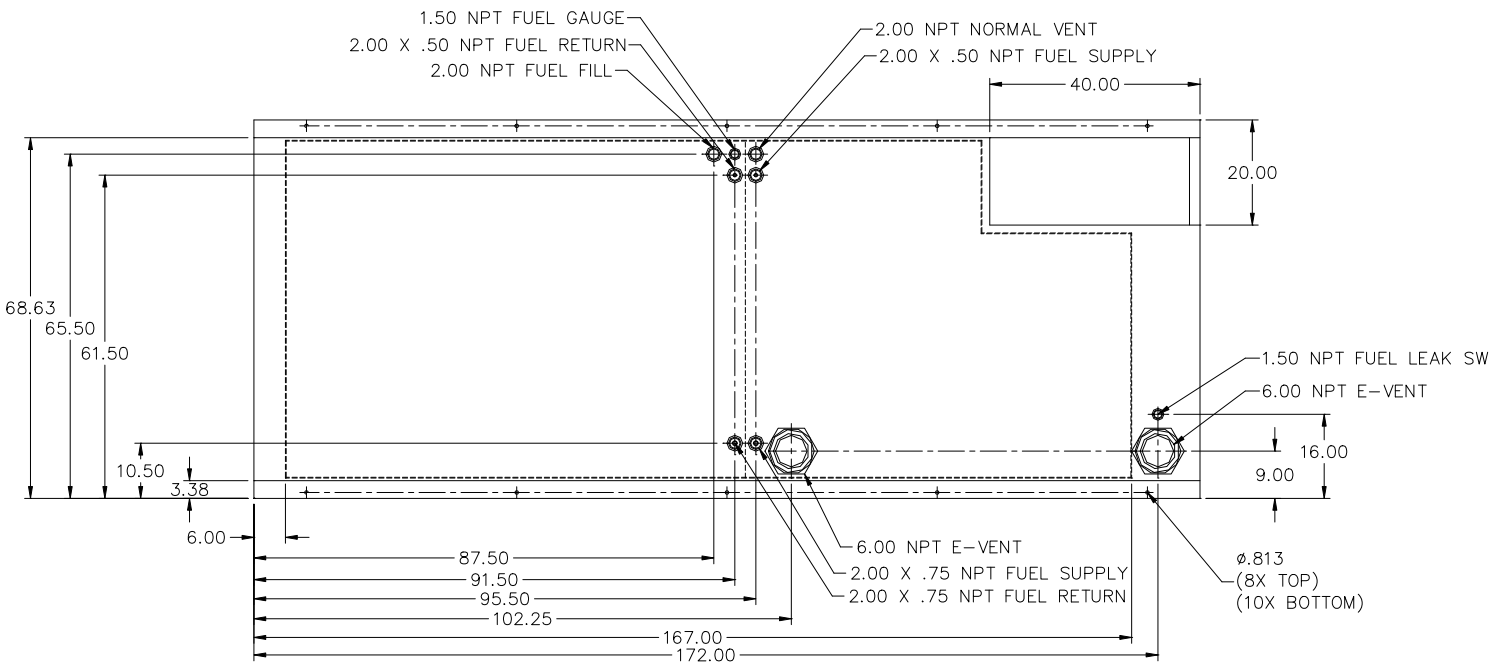


**48HR TANK**  
**TD350,TD400**  
**VD350,VD400 (FT4)**  
**PD350,PD400**  
**LV0/LV1/LV2/LV3**



- NOTES:  
 1. MATERIAL: 10GA  
 2. SECONDARY CONTAINMENT TANK  
 3. FINISH PAINT BLACK HAMMERED  
 4. TANK TO INCLUDE  
 - FUEL SUPPLY / RETURN DIP TUBES  
 - LIFTING / TIE DOWN BRACKETS

APPROXIMATE WEIGHT: 3300 LBS

REVISIONS:		
LEVEL:	DESCRIPTION:	DATE: BY:
01	CHANGE LEFT SIDE SUPPLY/RETURN TO 2.00 X .75	03-24-21 ATB

**BLUE STAR**  
 Power Systems Inc.

**TANK SB 1420 GL DW UL W/STUB-UP**

P/N: 20380 | 180"L X 72"W X 36"H

DATE: 07-05-17 | BY: KAP | DRAWN TO SCALE