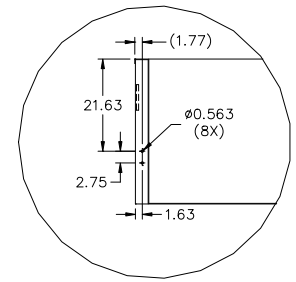
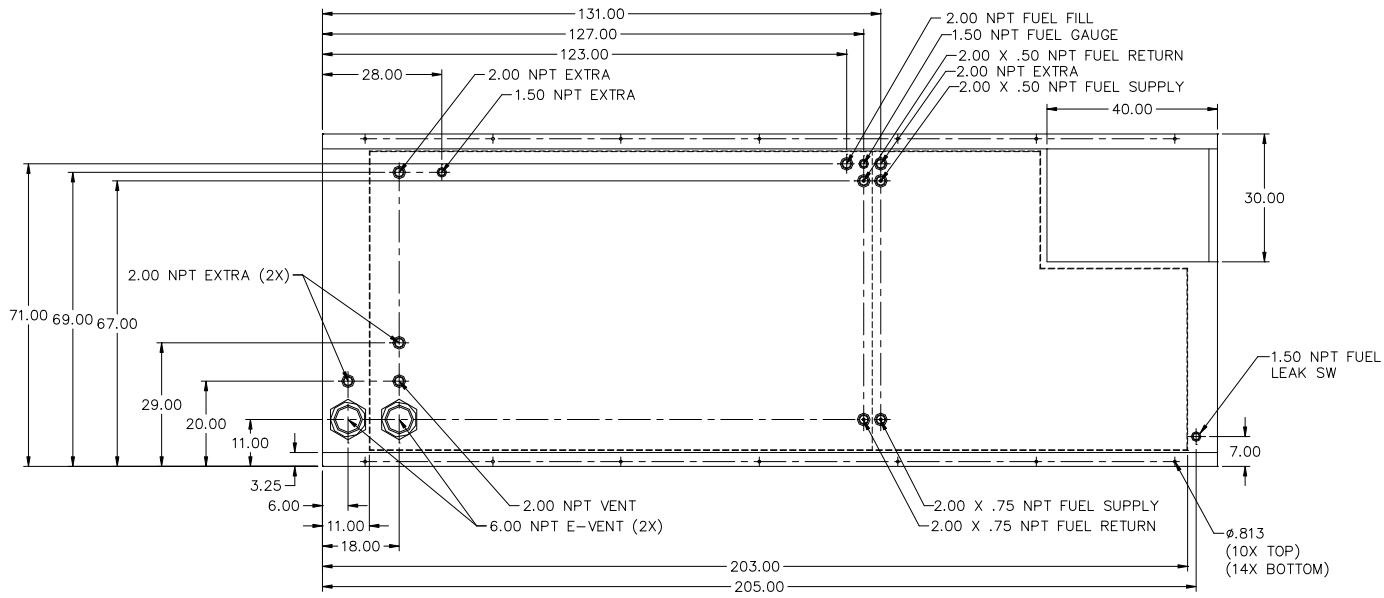
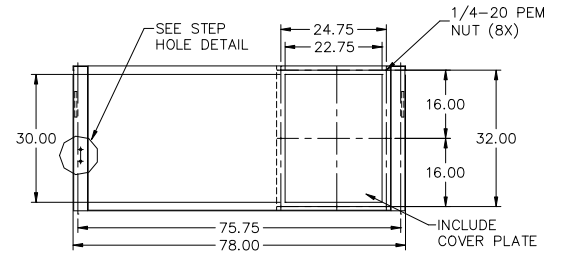
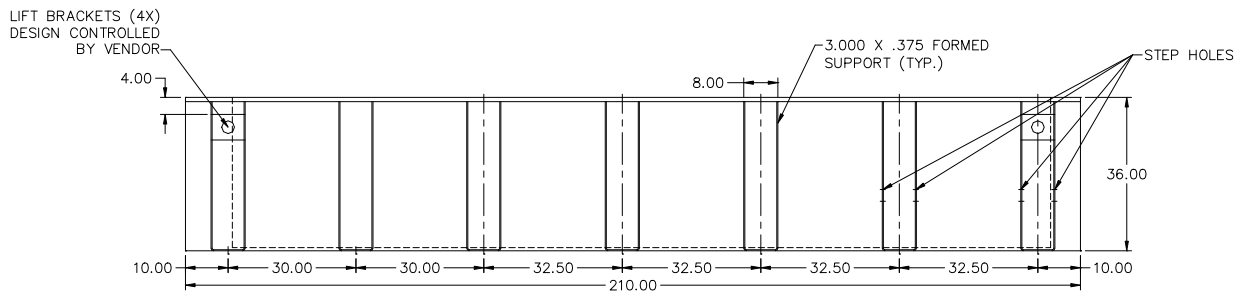


# 48HR TANK PD450-500 LV0, LV1, LV2, LV3



STEP HOLE DETAIL



APPROXIMATE WEIGHT: 5500LBS

- NOTES:
1. MATERIAL: PER VENDOR'S UL/ULC REQUIRMENTS
  2. SECONDARY CONTAINMENT TANK
  3. FINISH PAINT BLACK HAMMERED
  4. TANK TO INCLUDE
    - FUEL SUPPLY / RETURN DIP TUBES
    - LIFTING / TIE DOWN BRACKETS

REVISIONS:			
LEVEL:	DESCRIPTION:	DATE:	BY:
NA	NA	NA	NA



TANK SB 1800GL DW UL/ULC W/STUB-UP

P/N: 23590 | 210"L X 78"W X 36"H

DATE: 03-03-21 | BY: CRC | DRAWN TO SCALE