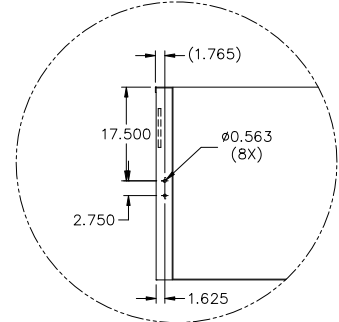
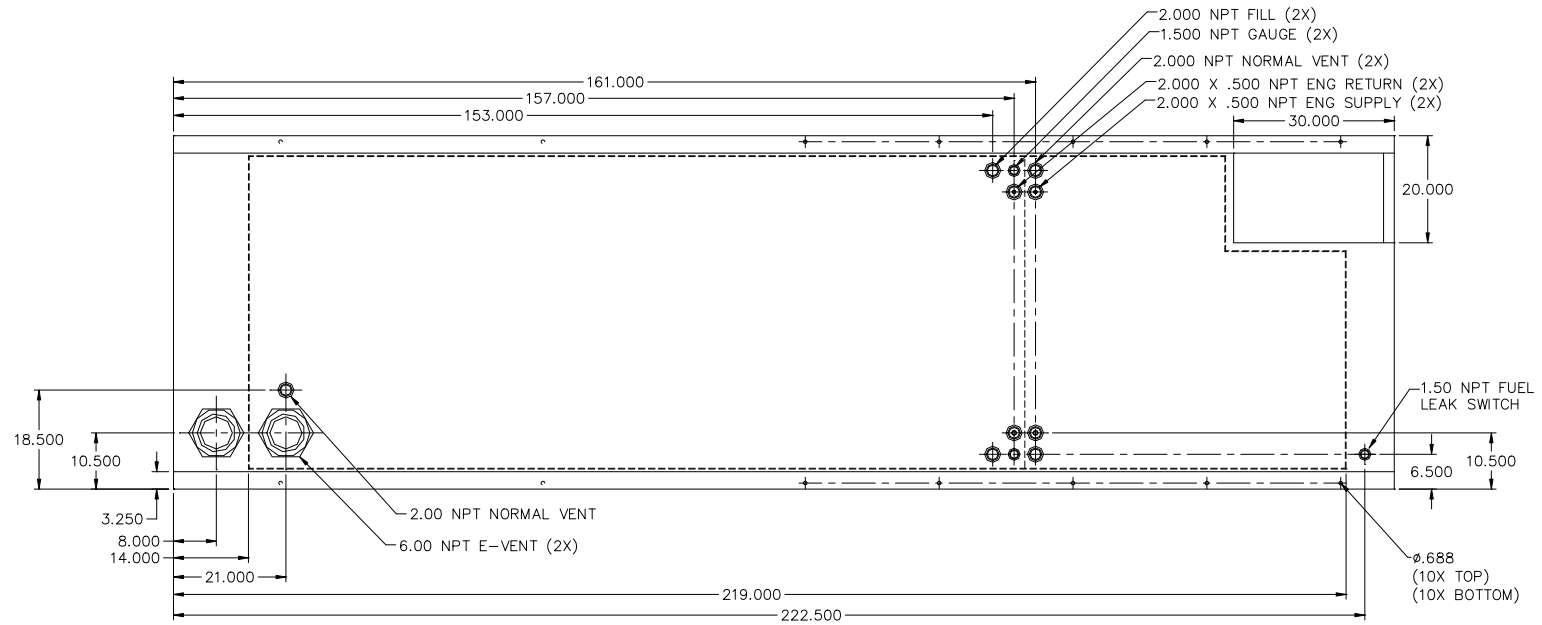
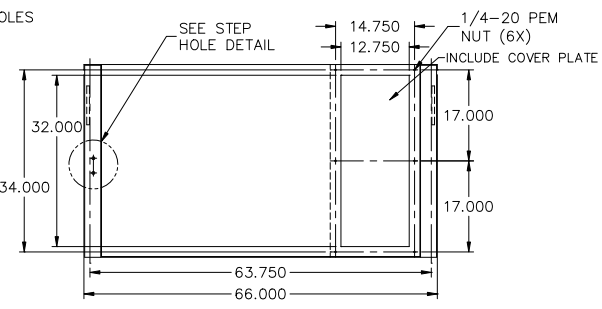
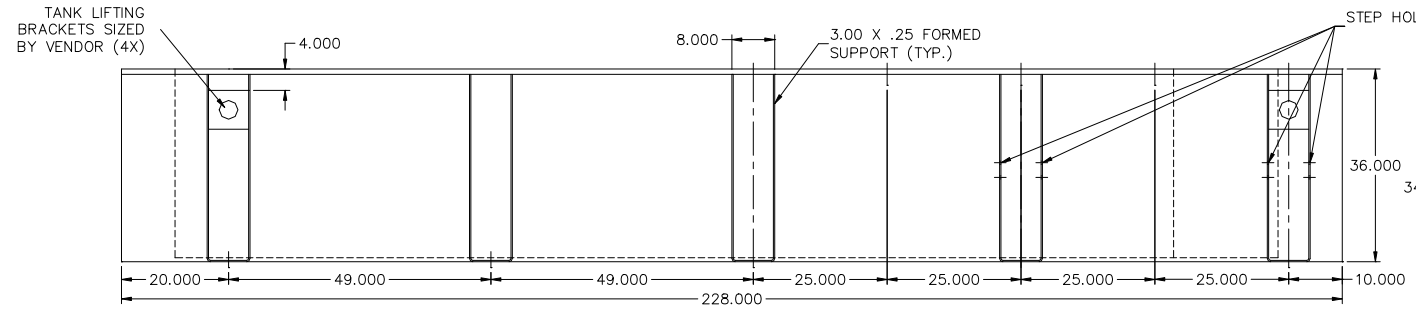


72HR TANK
JD250, JD275, JD300
VD250,VD300 (FT4 & 01)
TD250,TD275, TD300
PD250,PD275, PD300
LV0/LV1/LV2/LV3



STEP HOLE DETAIL



NOTES:
 1. MATERIAL: 10GA INSIDE
 7GA OUTSIDE
 2. SECONDARY CONTAINMENT TANK
 3. FINISH: GLOSS BLACK

APPROXIMATE WEIGHT: 4100 LBS

REVISIONS:			
LEVEL:	DESCRIPTION:	DATE:	BY:
03	ADDED ULC TO DESCRIPTION	02-17-20	MGH
02	MOVE FITTINGS TO STANDARD LOCATIONS	09-25-17	KAP
01	REMOVED 4 SUPPORT LEGS	05-21-16	KAP



TANK SB 1620GL DW UL/ULC W/STUB-UP			
P/N: 20773	228"L X 66"W X 36"H		
DATE: 12-21-15	BY: KDH	DRAWN TO SCALE	