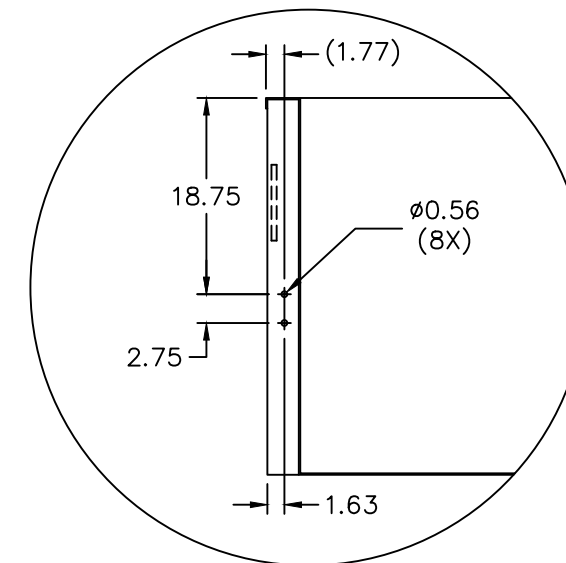
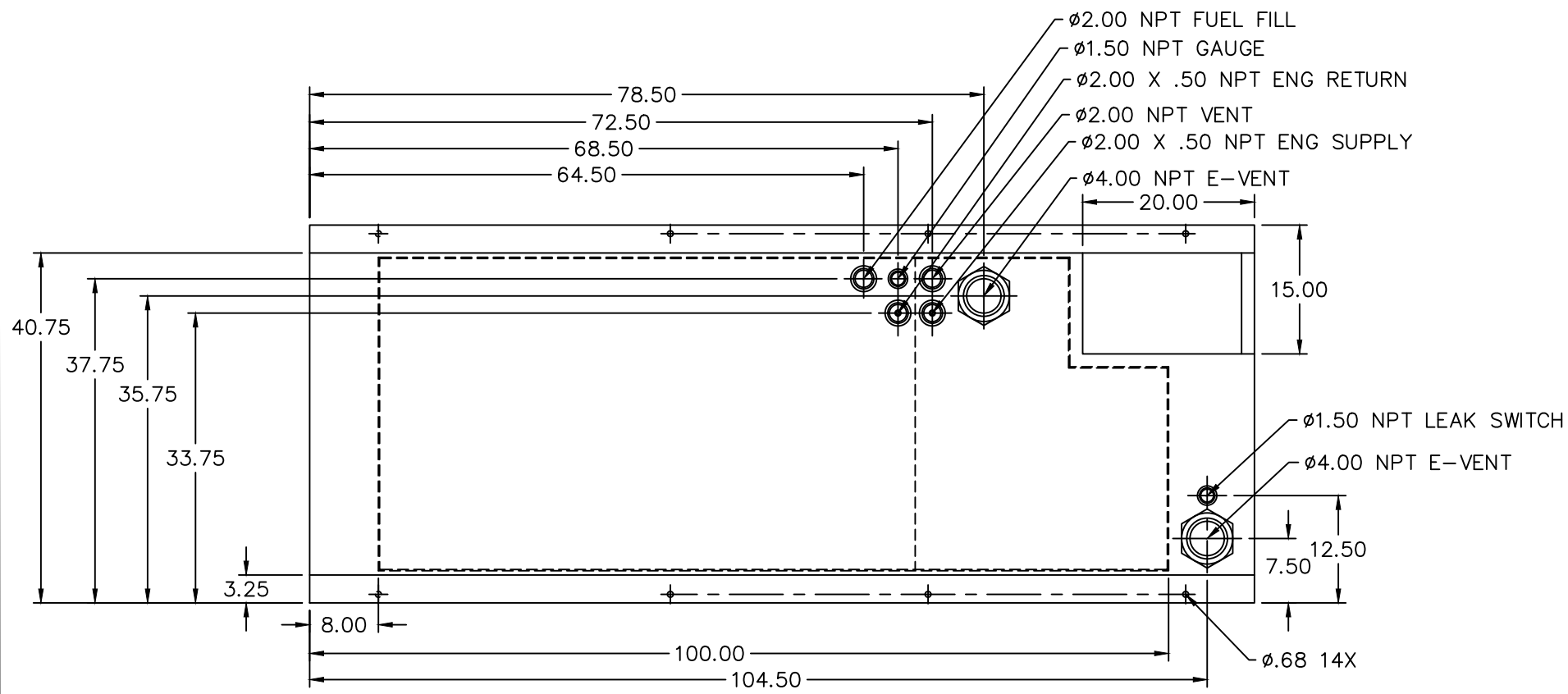


72HR TANK  
JD40-04FT4

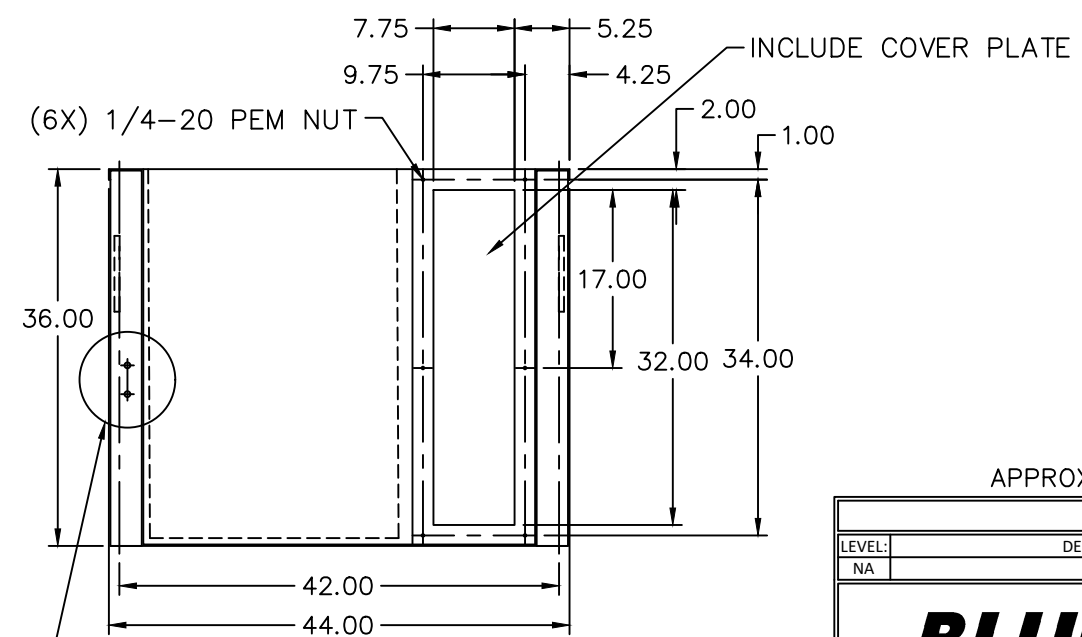
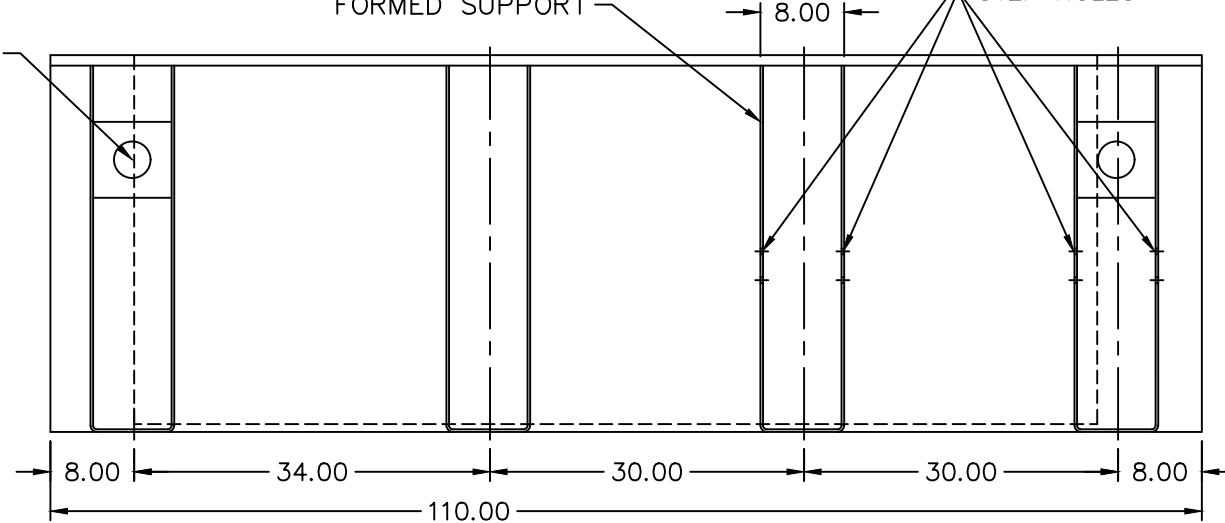


STEP HOLE DETAIL

TANK LIFTING  
BRACKETS SIZED  
BY VENDOR (4X)

8X 3.00 X .25  
FORMED SUPPORT

STEP HOLES



SEE STEP  
HOLE DETAIL

APPROXIMATE WEIGHT: 1500LBS

REVISIONS:

LEVEL:	DESCRIPTION:	DATE:	BY:
NA	NA	NA	NA

**BLUE STAR**  
Power Systems Inc.

TANK SB 450GL DW UL W/ STUB-UP

P/N: 25765	110"L X 44"W X 36"H
DATE: 06-19-19	BY: JJH DRAWN TO SCALE

NOTES:

1. MATERIAL: 10GA
2. SECONDARY CONTAINMENT TANK
3. FINISH: GLOSS BLACK
4. TANK TO INCLUDE
  - FUEL SUPPLY / RETURN DIP TUBES
  - LIFTING / TIE DOWN BRACKETS

UNLESS OTHERWISE SPECIFIED DIMENSIONS ARE IN INCHES - DO NOT SCALE DRAWING							
	SHEET METAL			STRUCTURAL STEEL			
ANGLES	.X	.XX	.XXX	STRAIGHTNESS PER FT	.X	.XX	.XXX
±1.0°	±.13	±.06	±.06	-.18	±.18	±.06	±.06