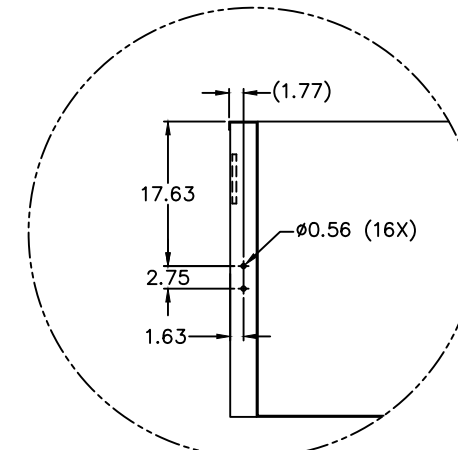
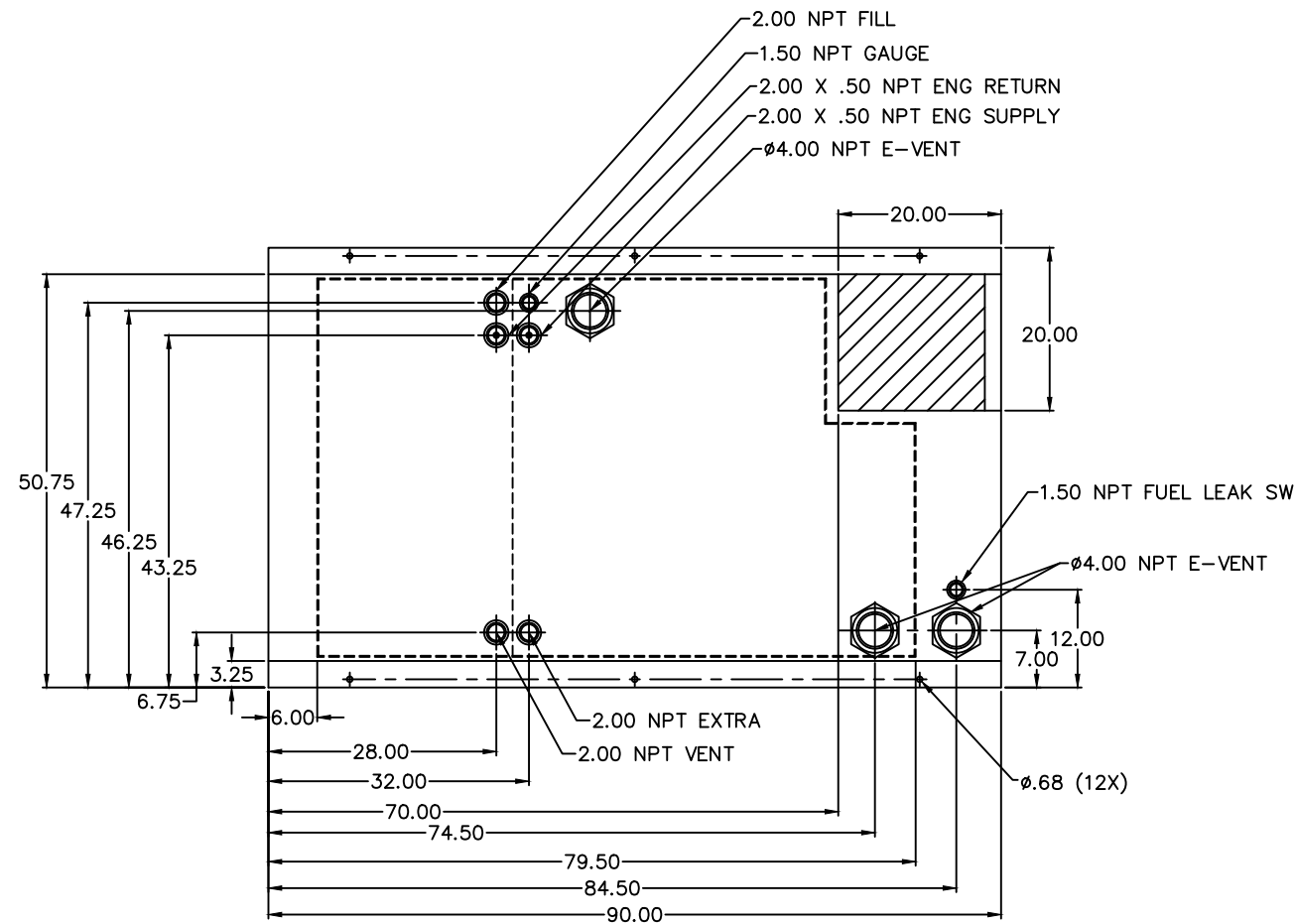
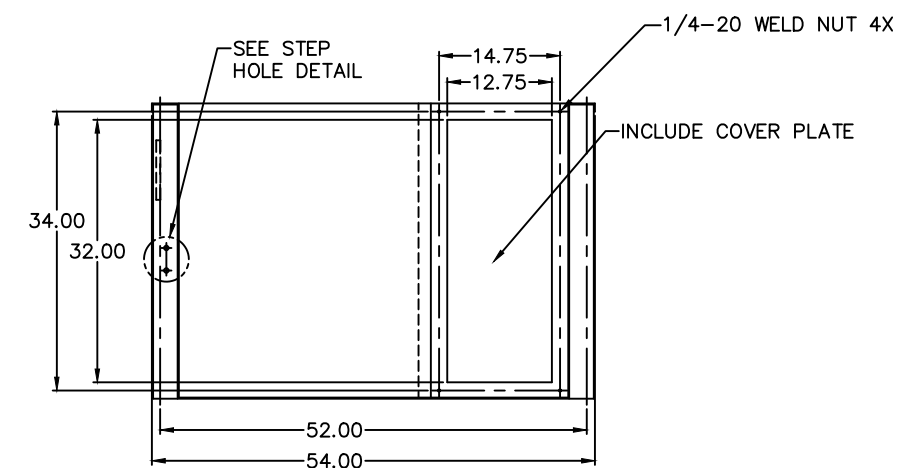
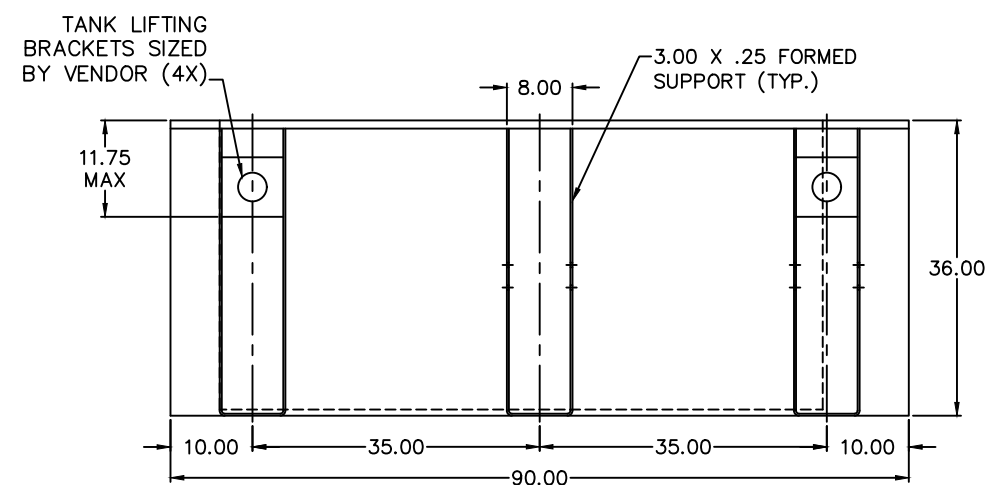


72HR
JD60-04FT4
JD80-04FT4



STEP HOLE DETAIL



- NOTES:
1. MATERIAL: 10GA
 2. SECONDARY CONTAINMENT TANK
 3. FINISH: BLACK HAMMERED
 4. TANK TO INCLUDE
 - FUEL SUPPLY / RETURN DIP TUBES
 - LIFTING / TIE DOWN BRACKETS

APPROXIMATE WEIGHT: 1600 LBS

REVISIONS:			
LEVEL:	DESCRIPTION:	DATE:	BY:
01	MOVE BUNGS, ADD 2" SPARE	08-27-20	ATB

BLUE STAR
Power Systems Inc.

TANK SB 450GL DW UL W/STUB-UP

P/N: 24392	90"L X 54"W X 36"H
DATE: 11-06-19	BY: MGH DRAWN TO SCALE