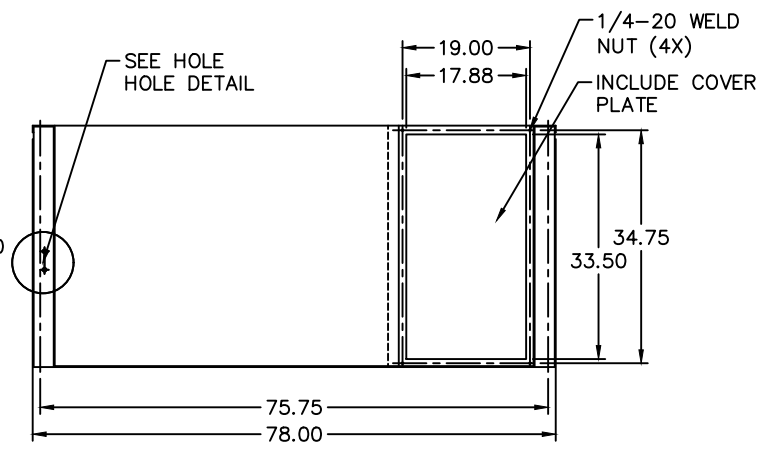
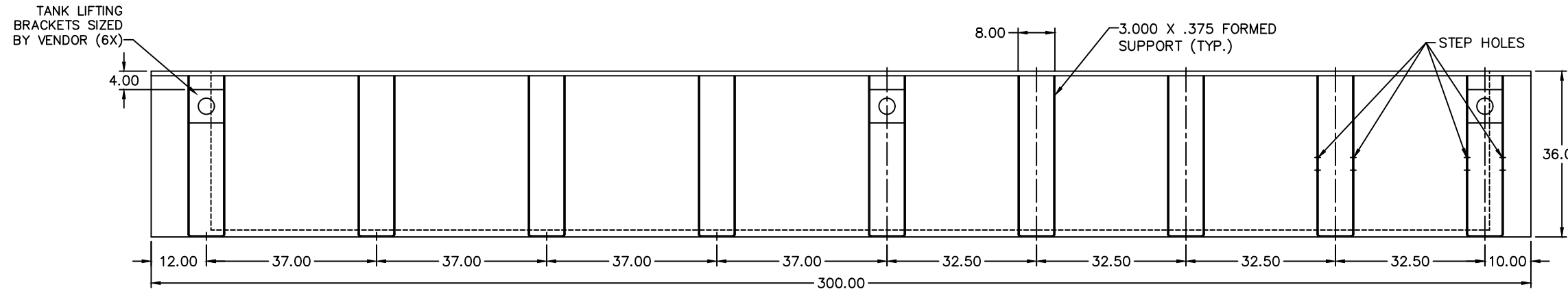
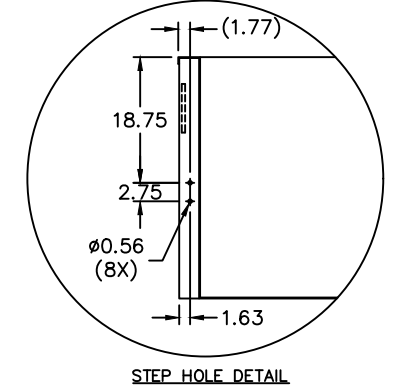
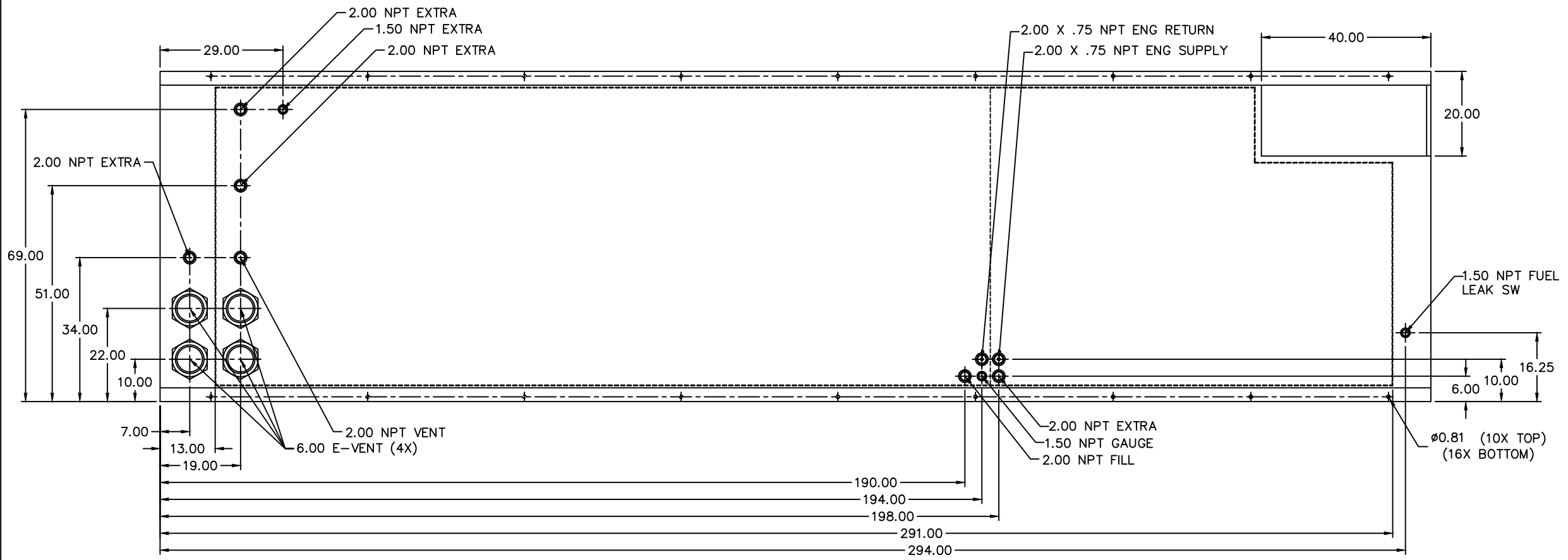


48HR TANK:
PD750
72HR TANK:
PD450,500

LV0, LV1, LV2, LV3



APPROXIMATE WEIGHT: 7600 LBS

- NOTES:
1. MATERIAL: 7GA. RUPTURE BASIN
10GA. INNER TANK
 2. SECONDARY CONTAINMENT TANK
 3. FINISH PAINT BLACK HAMMERED
 4. TANK TO INCLUDE
 - FUEL SUPPLY / RETURN DIP TUBES
 - LIFTING / TIE DOWN BRACKETS

REVISIONS:			
LEVEL:	DESCRIPTION:	DATE:	BY:
NA	NA	NA	NA



Power Systems Inc.
TANK SB 2700GL DW UL/ULC W/ STUB UP

P/N: 23591		
DATE: 03-03-21	BY: CRC	SCALE: NA