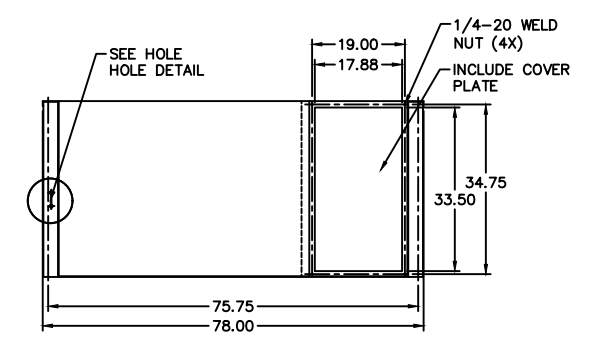
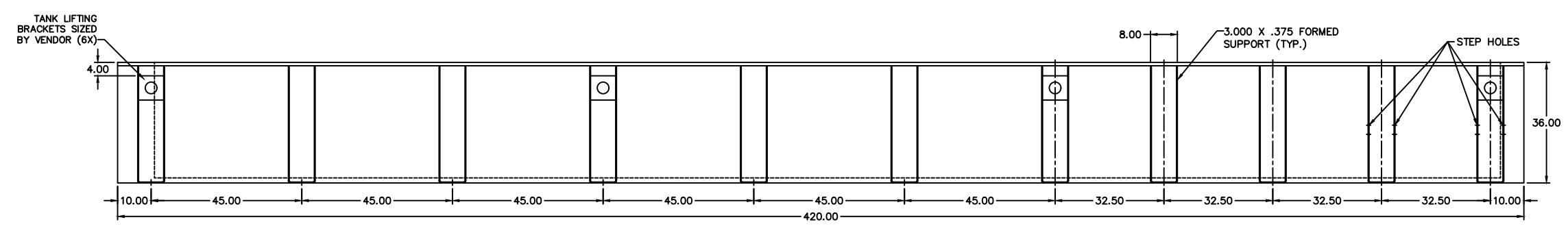
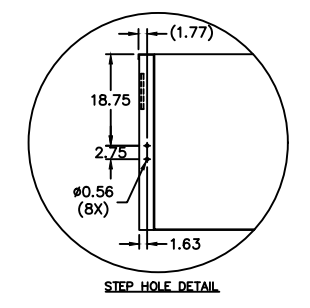
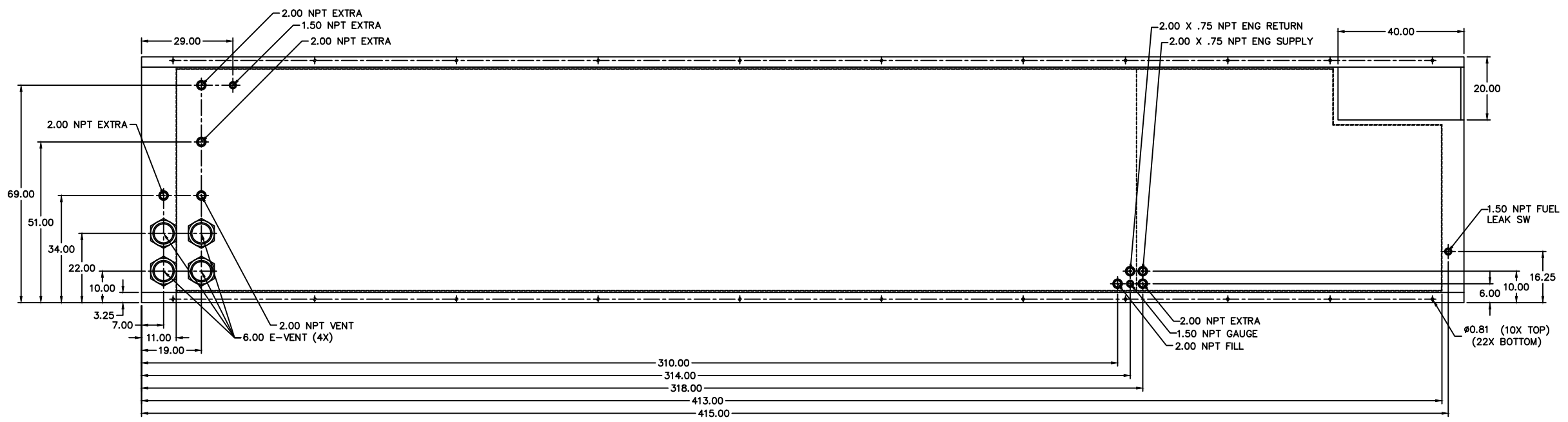


72HR TANK
PD750
LV0, LV1, LV2, LV3



APPROXIMATE WEIGHT: 10500 LBS

- NOTES:
1. MATERIAL: 7GA. RUPTURE BASIN
10GA. INNER TANK
2. SECONDARY CONTAINMENT TANK
3. FINISH PAINT BLACK HAMMERED
4. TANK TO INCLUDE
- FUEL SUPPLY / RETURN DIP TUBES
- LIFTING / TIE DOWN BRACKETS

REVISIONS:			
LEVEL:	DESCRIPTION:	DATE:	BY:
NA	NA	NA	NA



Power Systems Inc.
TANK SB 4000GL DW UL/ULC W/ STUB UP

P/N: 23593		
DATE: 03-03-21	BY: CRC	SCALE: NA