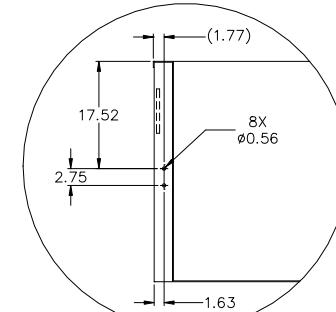
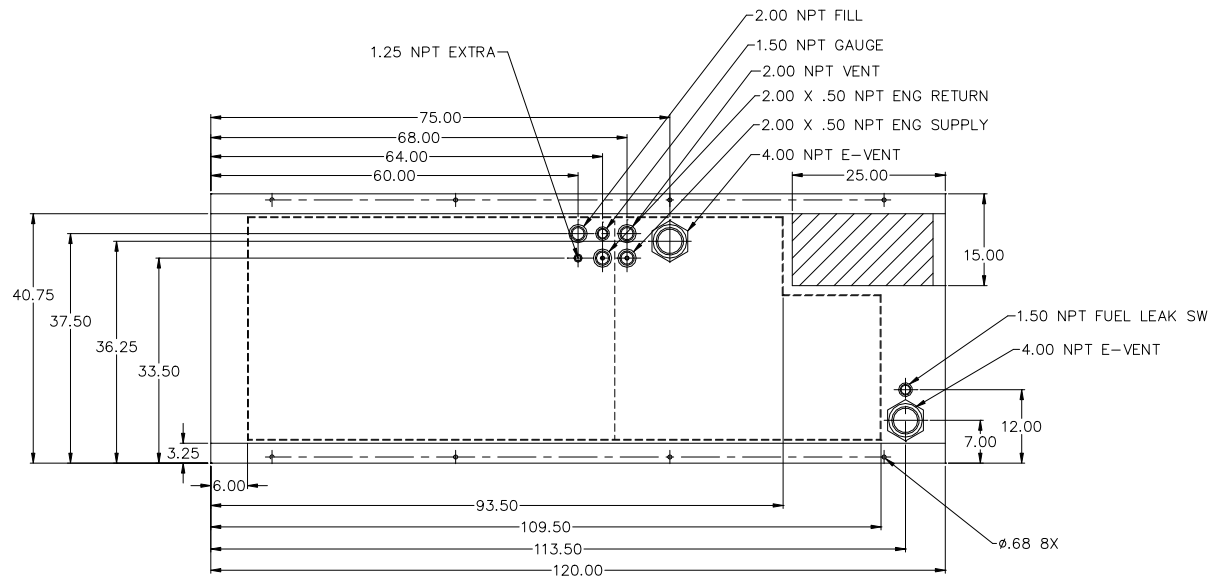
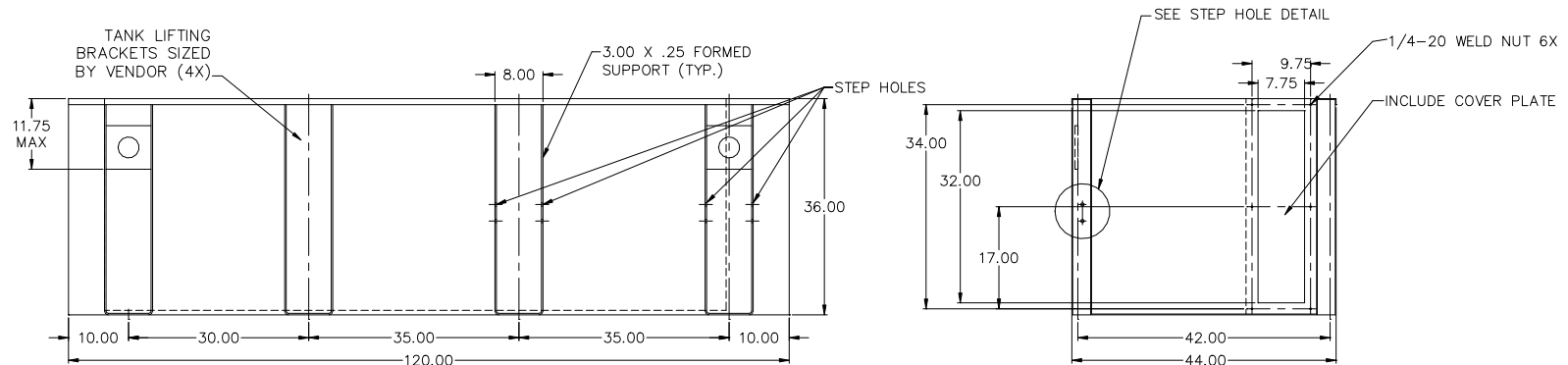


**48HR TANK
VD100
JD80, JD100**



STEP HOLE DETAIL



APPROXIMATE WEIGHT: 1200LBS

NOTES:

1. MATERIAL: 10GA
2. SECONDARY CONTAINMENT TANK
3. FINISH PAINT SEMI GLOSS BLACK
4. TANK TO INCLUDE
 - FUEL SUPPLY / RETURN DIP TUBES
 - LIFTING / TIE DOWN BRACKETS

REVISION:
1:

BLUE STAR
Power Systems Inc.

TANK SB 500GL DW UL W/STUB-UP

P/N: 17971 | 120"L X 44"W X 36"H

DATE: 12-03-15

BY: TDH

DRAWN TO SCALE