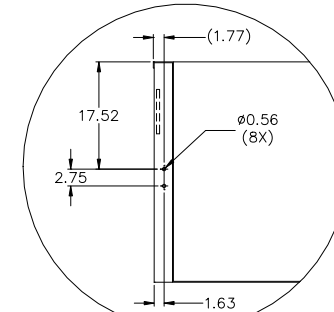
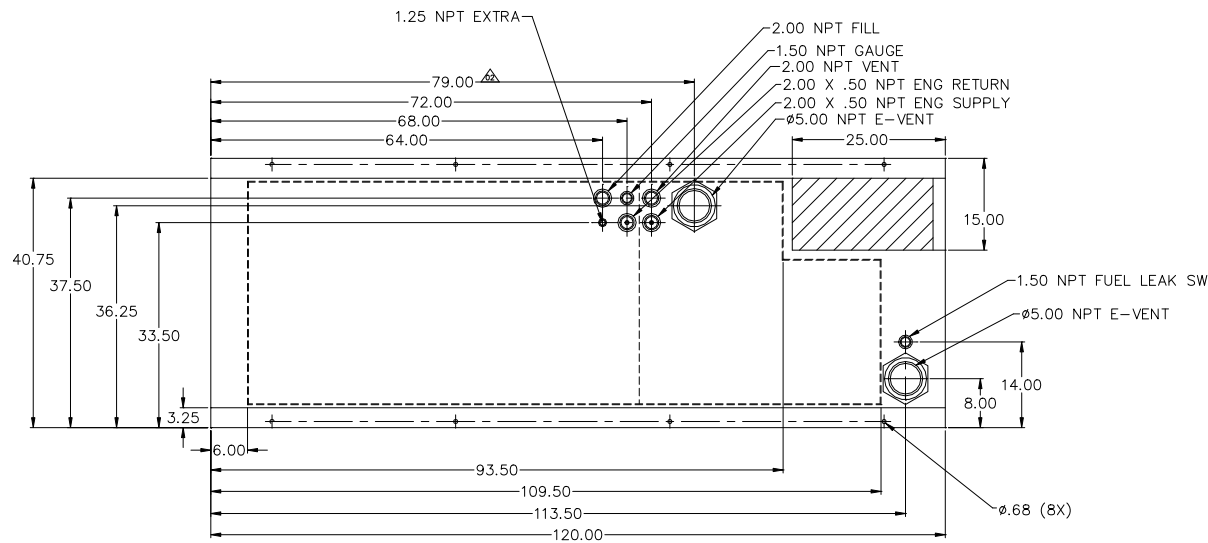
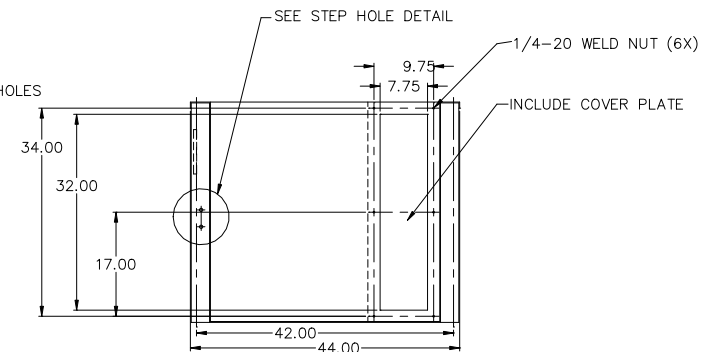
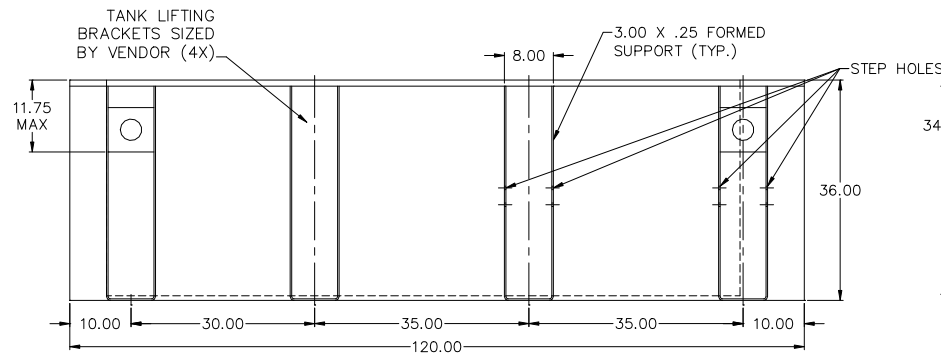


**48HR TANK
VD100
JD80, JD100, JD125**



STEP HOLE DETAIL



NOTES:

1. MATERIAL: 10GA
2. SECONDARY CONTAINMENT TANK
3. FINISH PAINT SEMI GLOSS BLACK
4. TANK TO INCLUDE
 - FUEL SUPPLY / RETURN DIP TUBES
 - LIFTING / TIE DOWN BRACKETS

APPROXIMATE WEIGHT: 1800LBS

REVISIONS:

LEVEL:	DESCRIPTION:	DATE:	BY:
03	CHANGED EVENT SIZE TO 5"	2-14-17	TDH
02	MOVED 77 TO 79 (E-VENT)	09-26-16	KAP
01	MOVED VENTS AND FILLS FOR OIL DRAIN	01-08-16	KDH

BLUE STAR
Power Systems Inc.

TANK SB 500GL DW UL W/STUB-UP

P/N: 17971 | 120"L X 44"W X 36"H

DATE: 12-03-15

BY: TDH

DRAWN TO SCALE