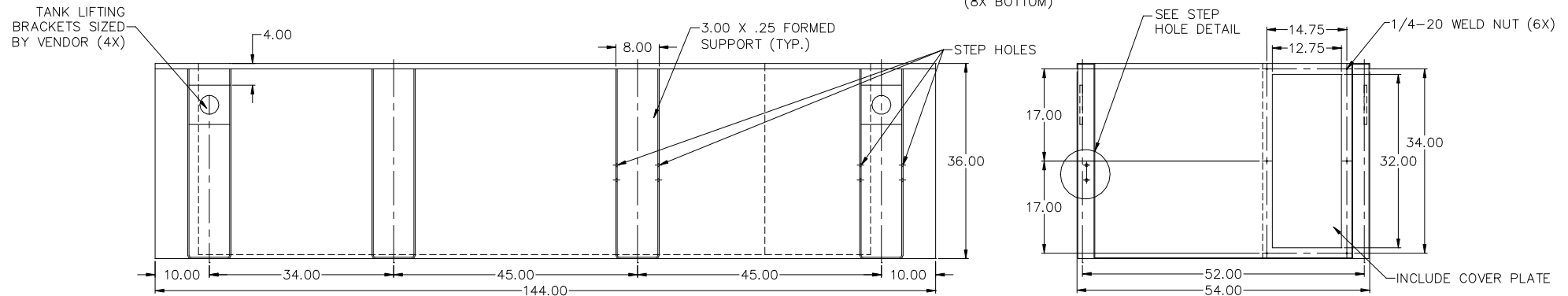
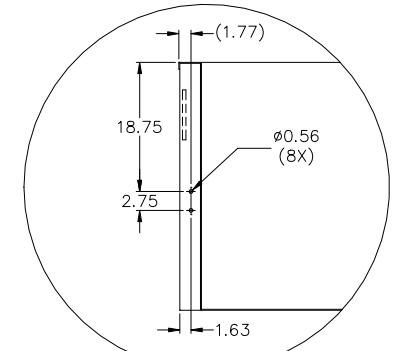
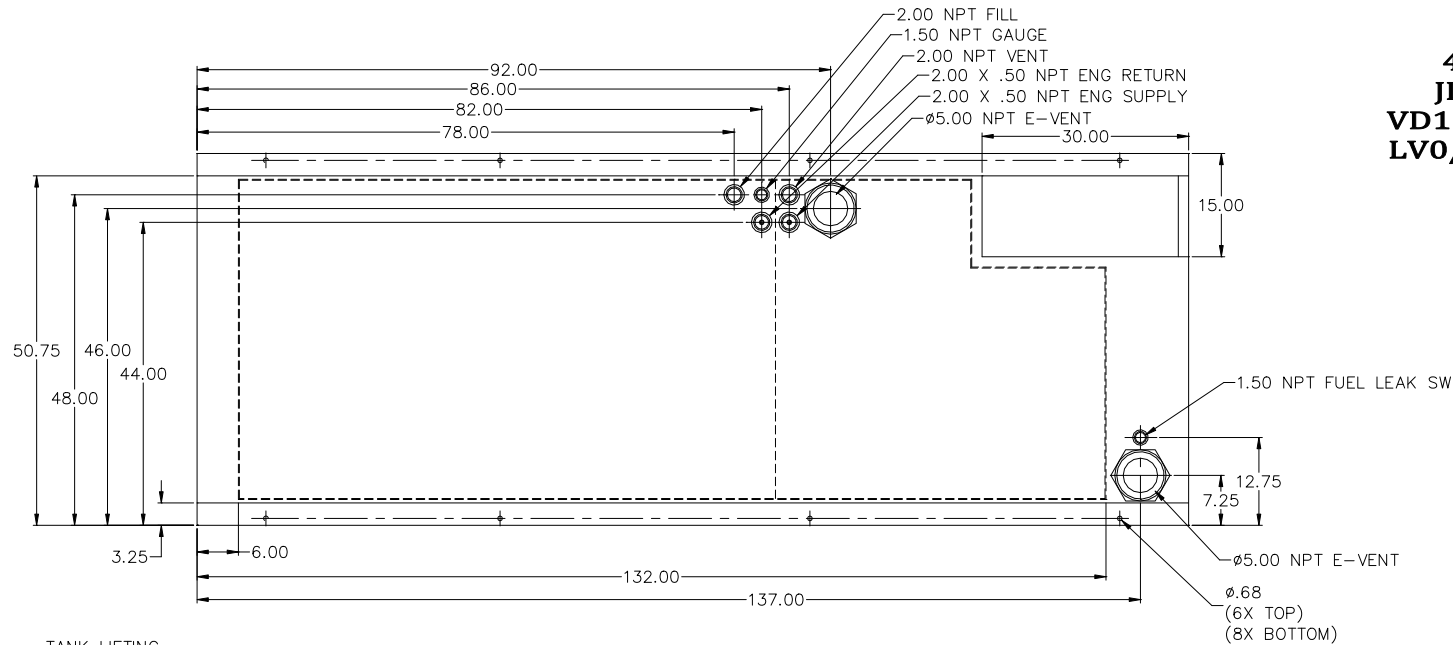


**48HR TANK
JD150, JD200
VD150, VD200 (01)
LV0/LV1/LV2/LV3**



NOTES:

1. MATERIAL: 10GA
2. SECONDARY CONTAINMENT TANK
3. FINISH PAINT GLOSS BLACK
4. TANK TO INCLUDE
 - FUEL SUPPLY / RETURN DIP TUBES
 - LIFTING / TIE DOWN BRACKETS

APPROXIMATE WEIGHT: 2200 LBS

BLUE STAR
Power Systems Inc.

TANK SB 750GL DW UL W/STUB-UP

P/N: NA 144"L X 54"W X 36"H

DATE: 12-18-15

BY: KDH

DRAWN TO SCALE