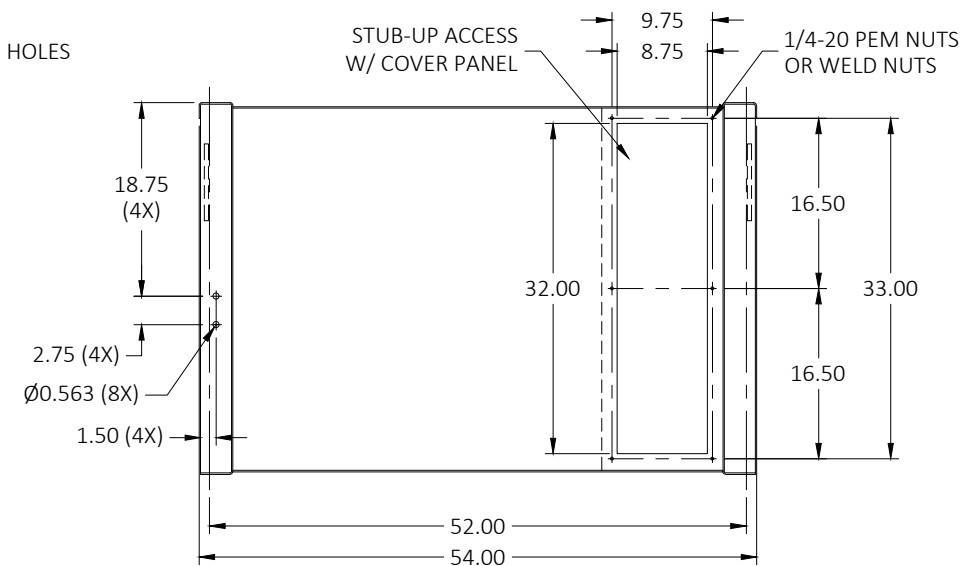
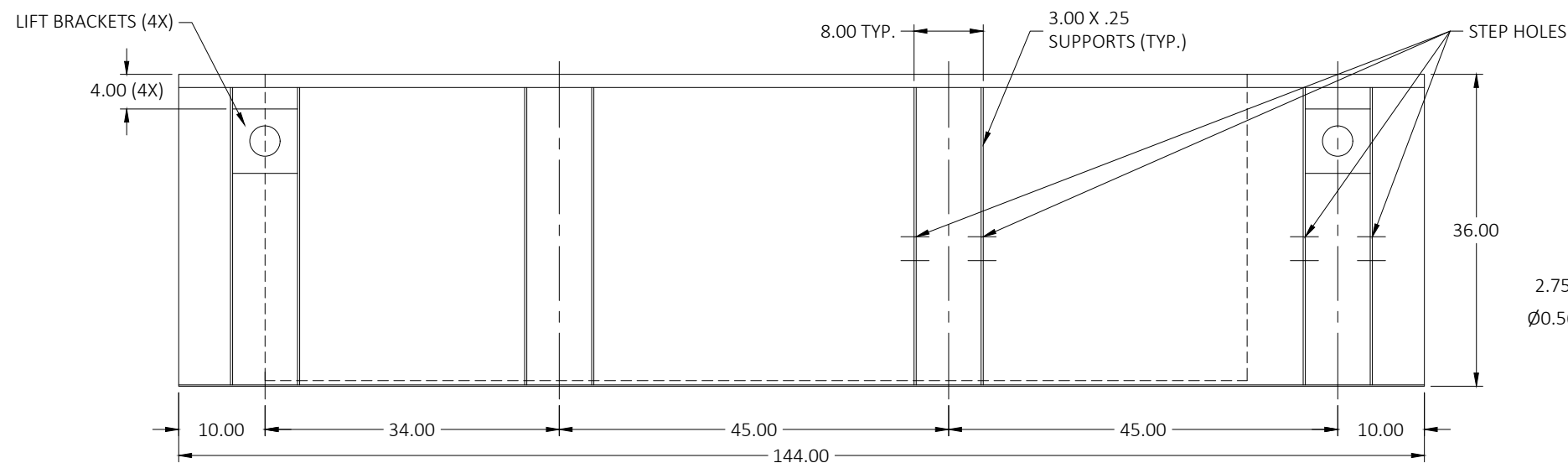
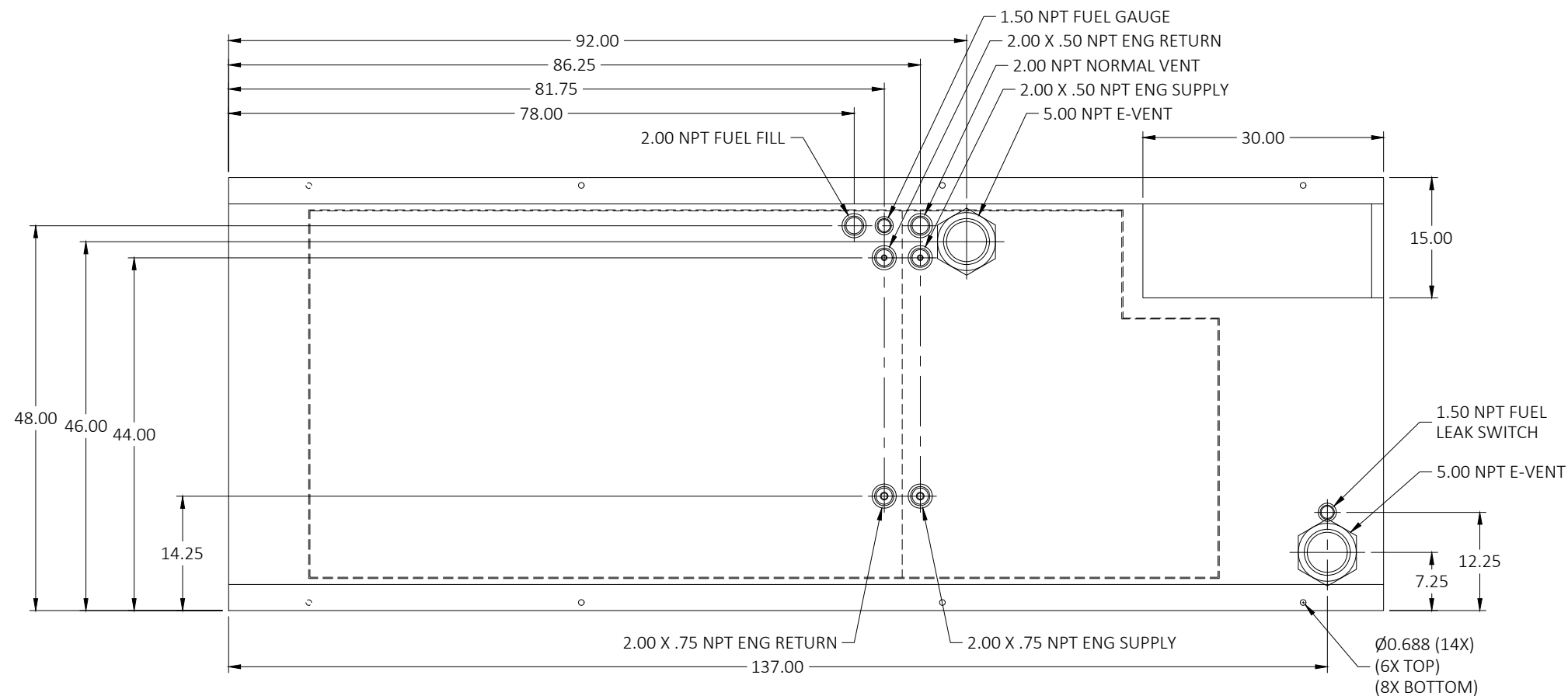


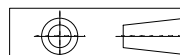
48HR / 750GL FUEL TANK
 JD150-01, JD200-01
 PD150-01, PD180-01, PD200-01
 LV0 / LV1 / LV2 / LV3



- NOTES:
 1. MATERIAL: PER UL/ULC REQUIREMENTS
 2. SECONDARY CONTAINMENT TANK
 3. TANK TO INCLUDE:
 -FUEL SUPPLY/RETURN DIP TUBES
 -LIFTING/TIE DOWN BRACKETS

MATERIAL: SEE NOTES

FINISH: BLACK HAMMERED



REMOVE ALL BURRS AND SHARP EDGES

TOLERANCE UNLESS OTHER SPECIFIED:

FRACTIONAL: ± 1/32
 ANGULAR: ± 1°
 X.X = ± .1
 X.XX = ± .03
 X.XXX = ± .010

DIMENSIONS ARE IN INCHES

DO NOT SCALE DRAWING

R08	UPDATED INTERNAL COMPONENTS	05-03-22	CRC
LEVEL:	DESCRIPTION:	DATE:	BY:
REVISIONS:			
THE INFORMATION CONTAINED IN THIS DRAWING IS THE SOLE PROPERTY OF BLUE STAR POWER SYSTEMS, INC. ANY REPRODUCTION, IN PART OR AS A WHOLE, WITHOUT THE WRITTEN PERMISSION IS PROHIBITED.			
2250 CARLSON DRIVE, NORTH MANKATO, MINNESOTA 56003 1 507 345 1776			
TANK SB 750GL DW SC UL/ULC W/ STUB-UP			
	NAME	DATE	SIZE PART NUMBER:
	DRAWN BY: CRC	12-07-22	B 20098
	APPROVED: CRC	12-07-22	SCALE: NONE APPROX. WEIGHT: 2,300 LBS SHEET 1 OF 1