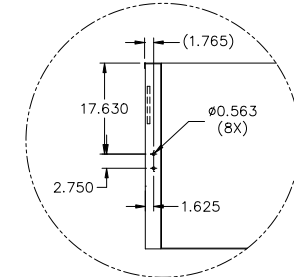
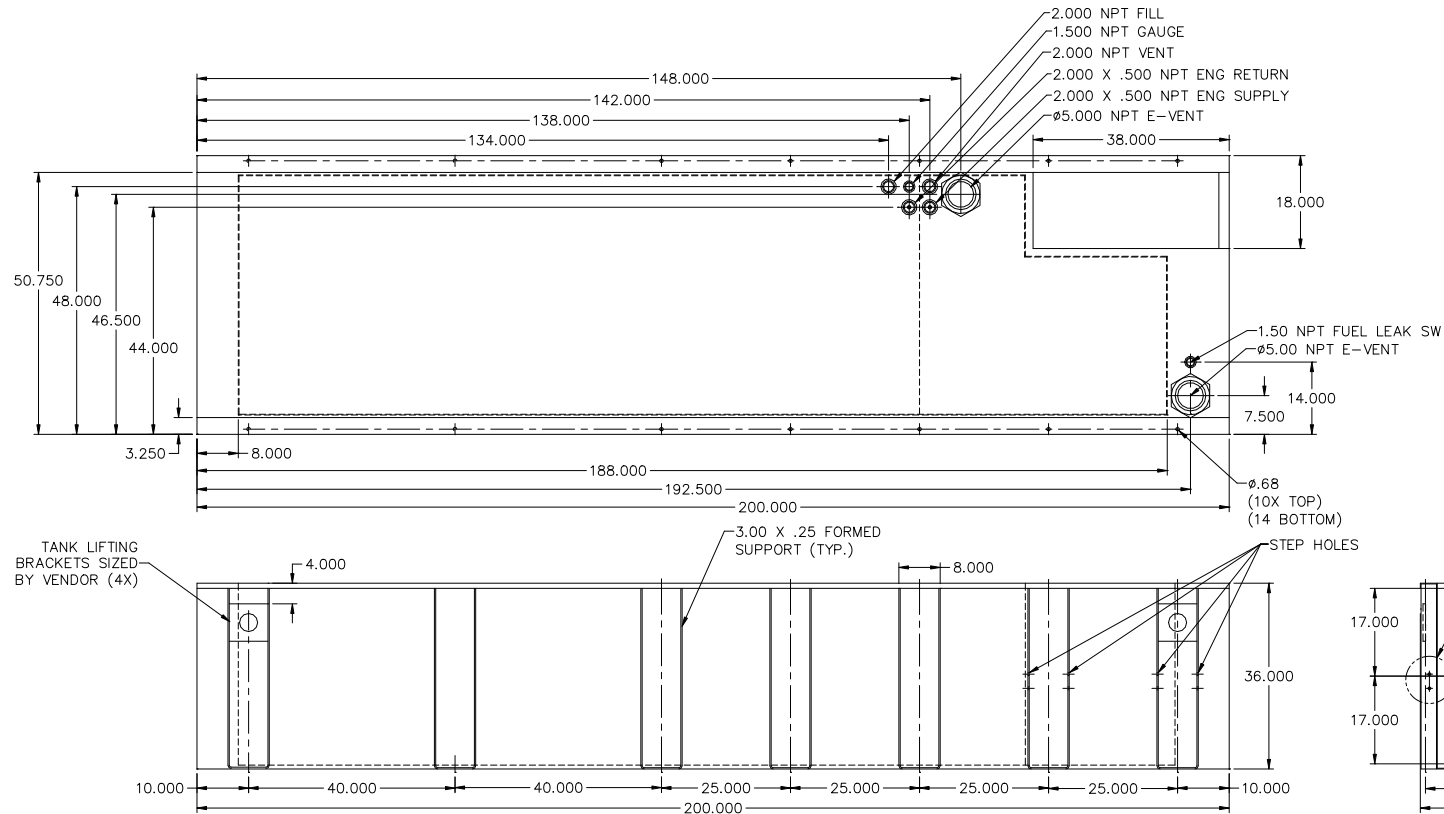
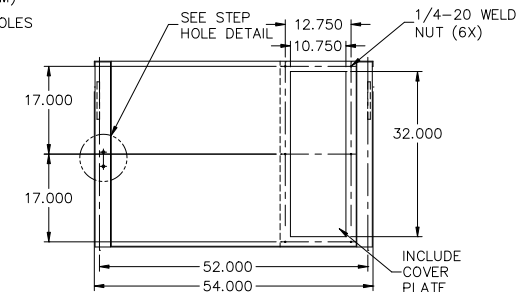


**48HR TANK
JD250, JD275
LV0/LV1/LV2
LEGACY**



STEP HOLE DETAIL



NOTES:

1. MATERIAL: 7GA. OUTER TANK
10GA INNER TANK
2. SECONDARY CONTAINMENT TANK
3. FINISH PAINT GLOSS BLACK
4. TANK TO INCLUDE
 - FUEL SUPPLY / RETURN DIP TUBES
 - LIFTING / TIE DOWN BRACKETS

APPROXIMATE WEIGHT: 3000LBS

REVISIONS:

LEVEL:	DESCRIPTION:	DATE:	BY:
NA	NA	NA	NA

BLUE STAR
Power Systems Inc.

TANK SB 1080GL DW UL W/STUB-UP

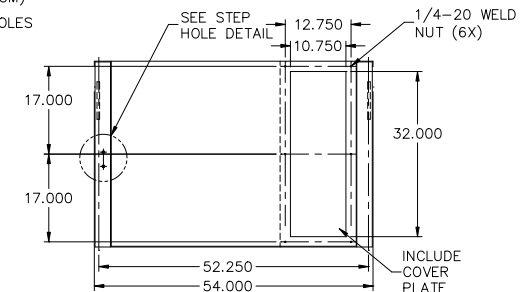
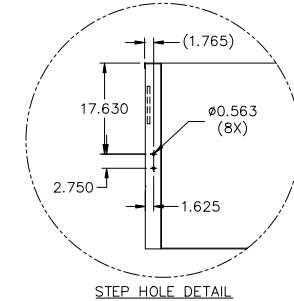
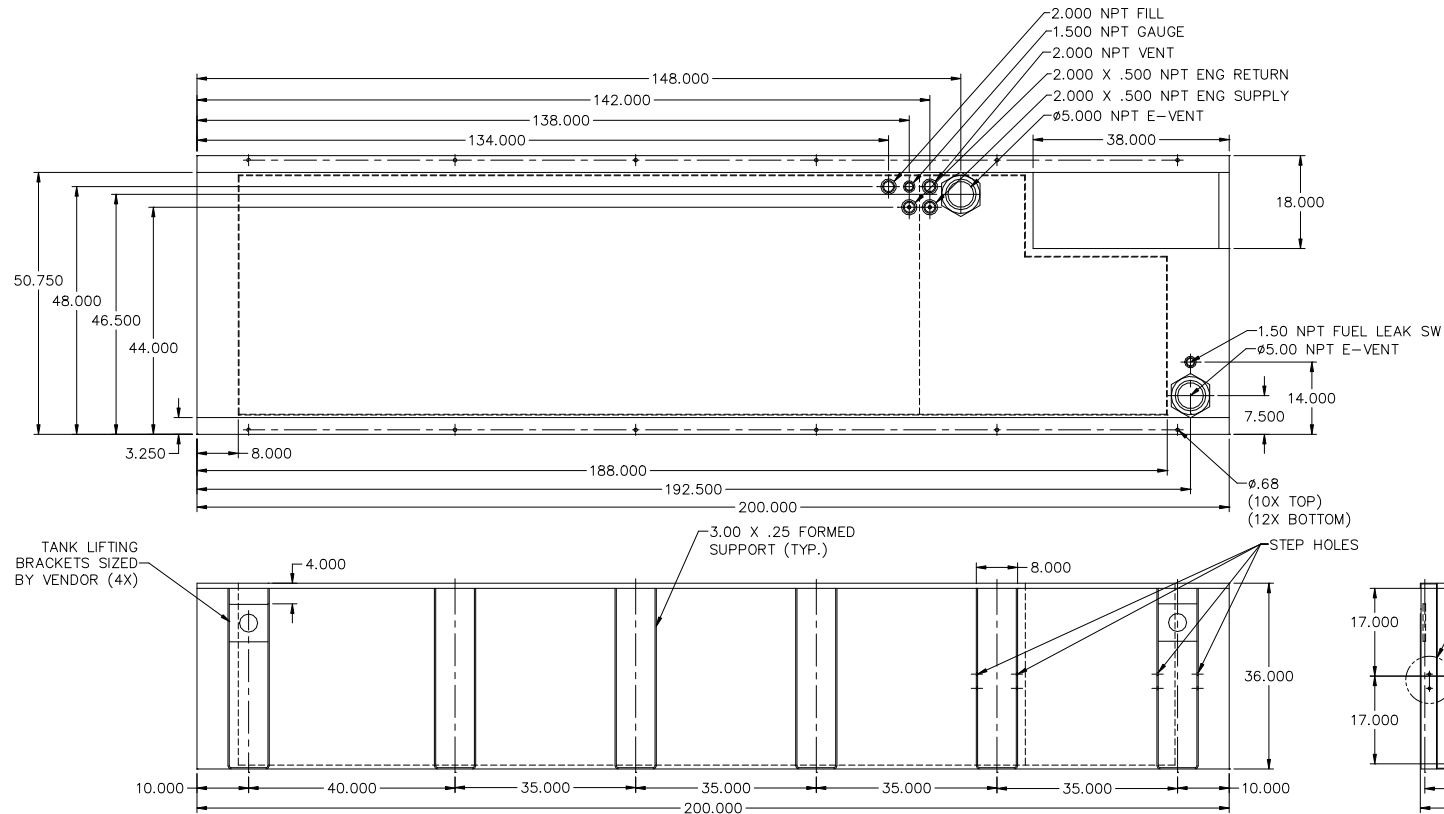
P/N: 20812 200"L X 54"W X 36"H

DATE: 01-05-15

BY: KDH

DRAWN TO SCALE

**48HR TANK
JD250, JD275
LV3
LEGACY**



NOTES:

1. MATERIAL: 7GA. OUTER TANK
10GA INNER TANK
2. SECONDARY CONTAINMENT TANK
3. FINISH PAINT GLOSS BLACK
4. TANK TO INCLUDE
 - FUEL SUPPLY / RETURN DIP TUBES
 - LIFTING / TIE DOWN BRACKETS

APPROXIMATE WEIGHT: 3300LBS

REVISIONS:

LEVEL:	DESCRIPTION:	DATE:	BY:
NA	NA	NA	NA

BLUE STAR
Power Systems Inc.

TANK SB 1080GL DW UL W/STUB-UP

P/N: 20810 200"L X 54"W X 36"H

DATE: 01-05-15

BY: KDH

DRAWN TO SCALE