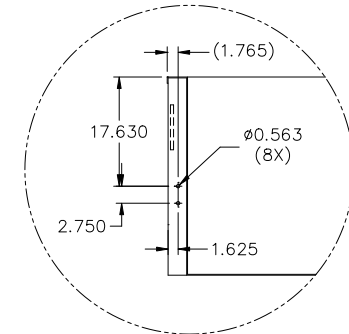
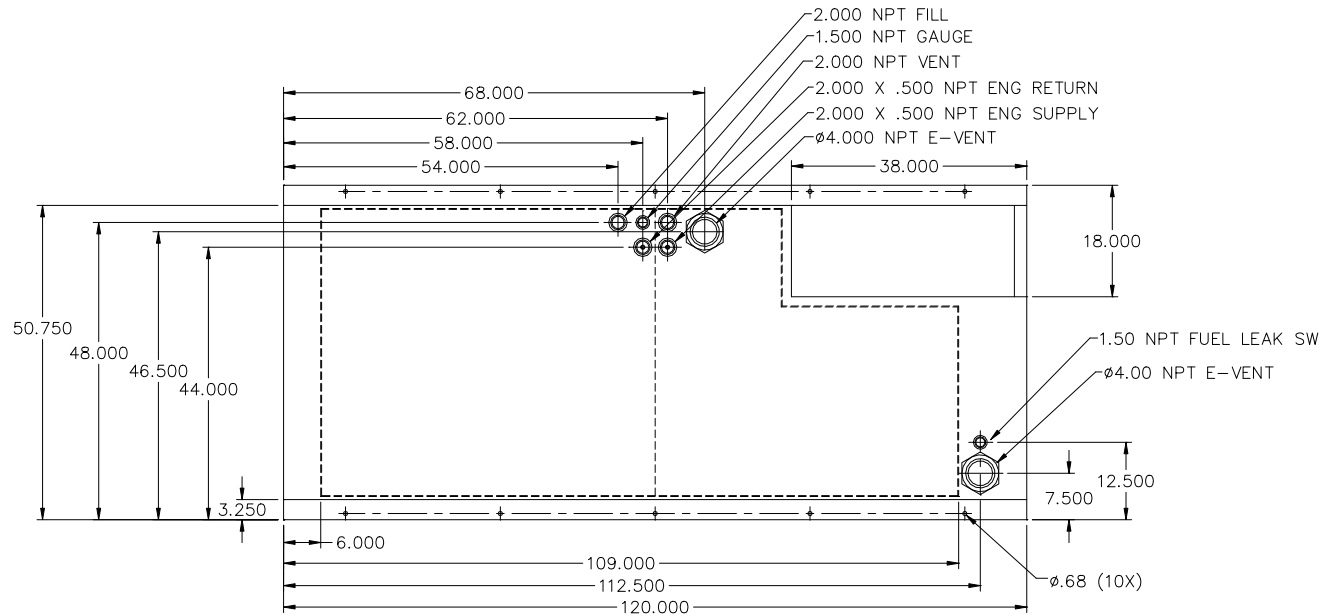
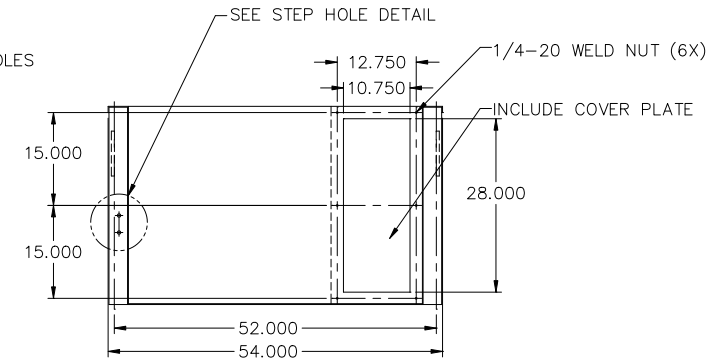
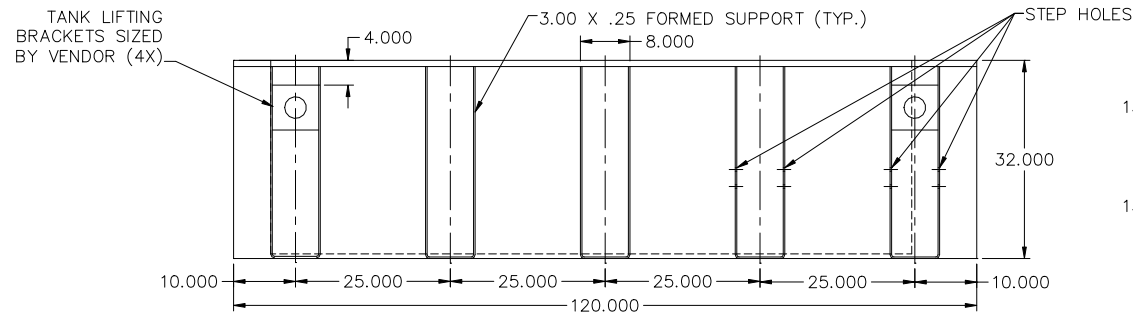


**24HR TANK  
JD250, JD275  
LV0/LV1/LV2  
LEGACY**



STEP HOLE DETAIL



## NOTES:

1. MATERIAL: 10GA
2. SECONDARY CONTAINMENT TANK
3. FINISH PAINT GLOSS BLACK
4. TANK TO INCLUDE
  - FUEL SUPPLY / RETURN DIP TUBES
  - LIFTING / TIE DOWN BRACKETS

APPROXIMATE WEIGHT: 1800LBS

## REVISIONS:

LEVEL:	DESCRIPTION:	DATE:	BY:
NA	NA	NA	NA

**BLUE STAR**  
Power Systems Inc.

TANK SB 540GL DW UL W/STUB-UP

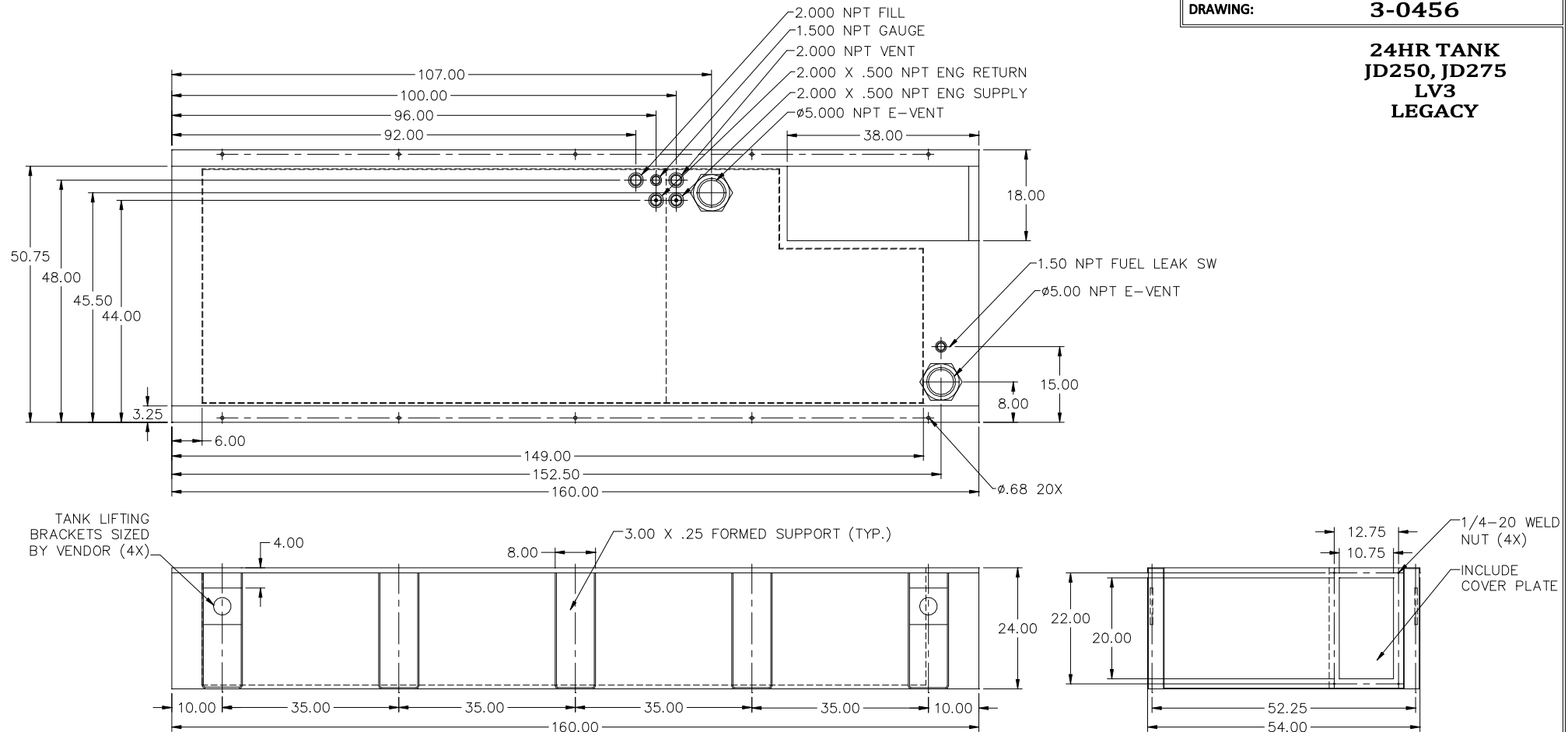
P/N: TBD 120"L X 54"W X 32"H

DATE: 01-05-15 BY: KAP DRAWN TO SCALE

DRAWING:

3-0456

**24HR TANK**  
**JD250, JD275**  
**LV3**  
**LEGACY**



## NOTES:

1. MATERIAL: 10GA
2. SECONDARY CONTAINMENT TANK
3. FINISH PAINT GLOSS BLACK
4. TANK TO INCLUDE
  - FUEL SUPPLY / RETURN DIP TUBES
  - LIFTING / TIE DOWN BRACKETS

APPROXIMATE WEIGHT: 1900LBS

## REVISIONS:

LEVEL:	DESCRIPTION:	DATE:	BY:
NA	NA	NA	NA

**BLUE STAR**  
 Power Systems Inc.

TANK SB 540GL DW UL W/STUB-UP

P/N: TBD 160"L X 54"W X 24"H

DATE: 01-05-16 BY: KAP DRAWN TO SCALE