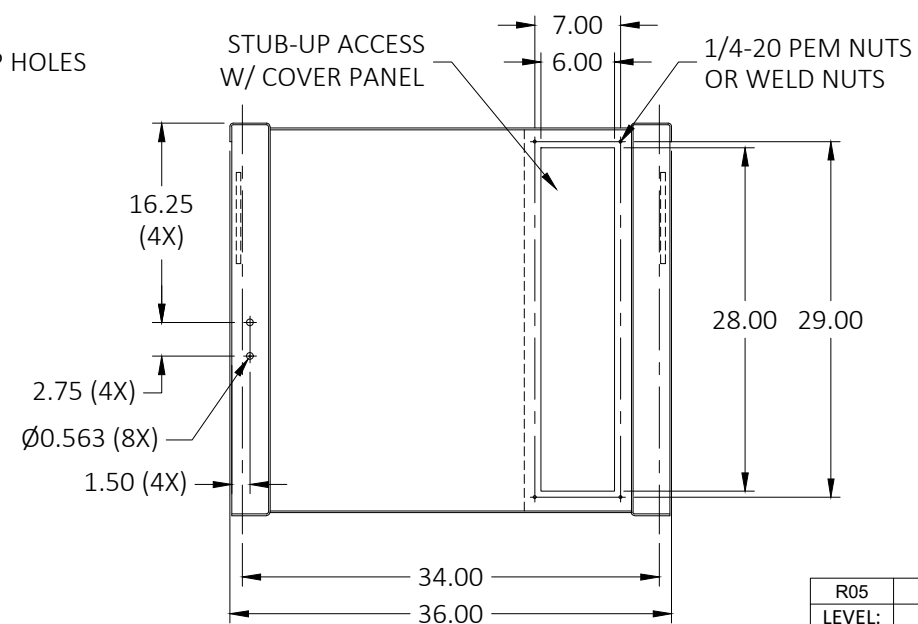
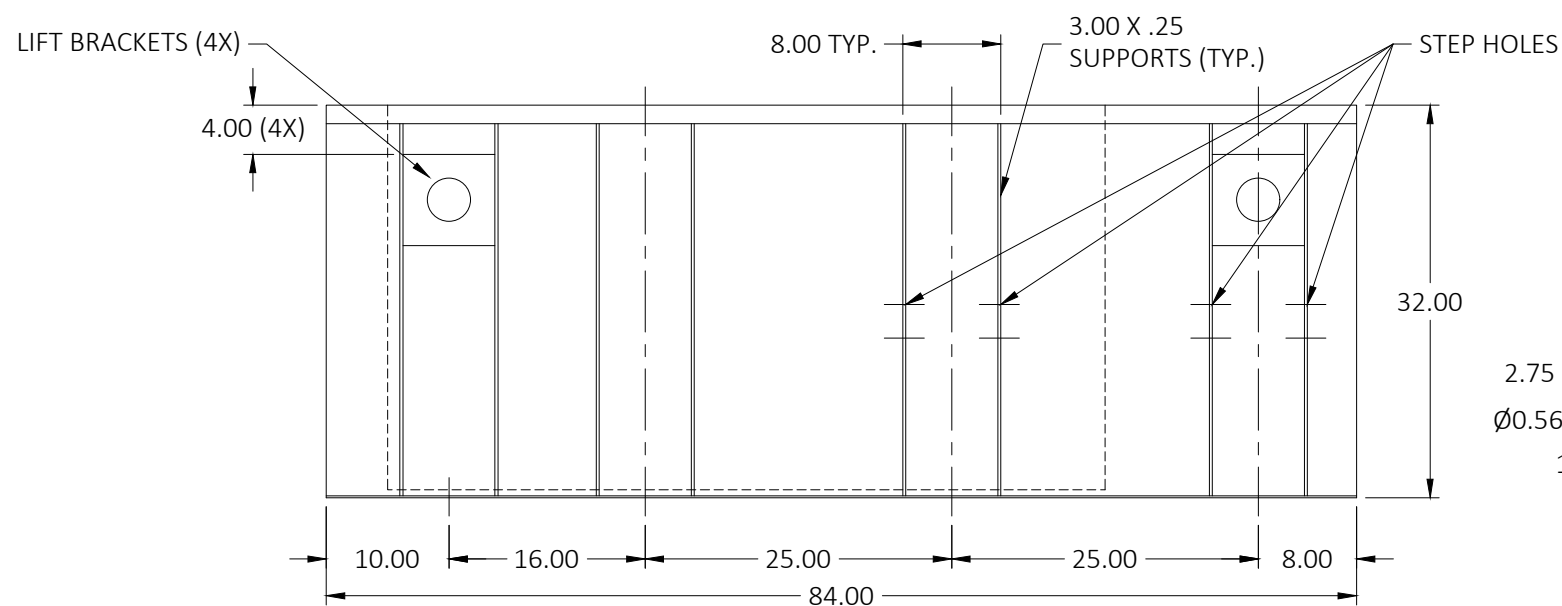
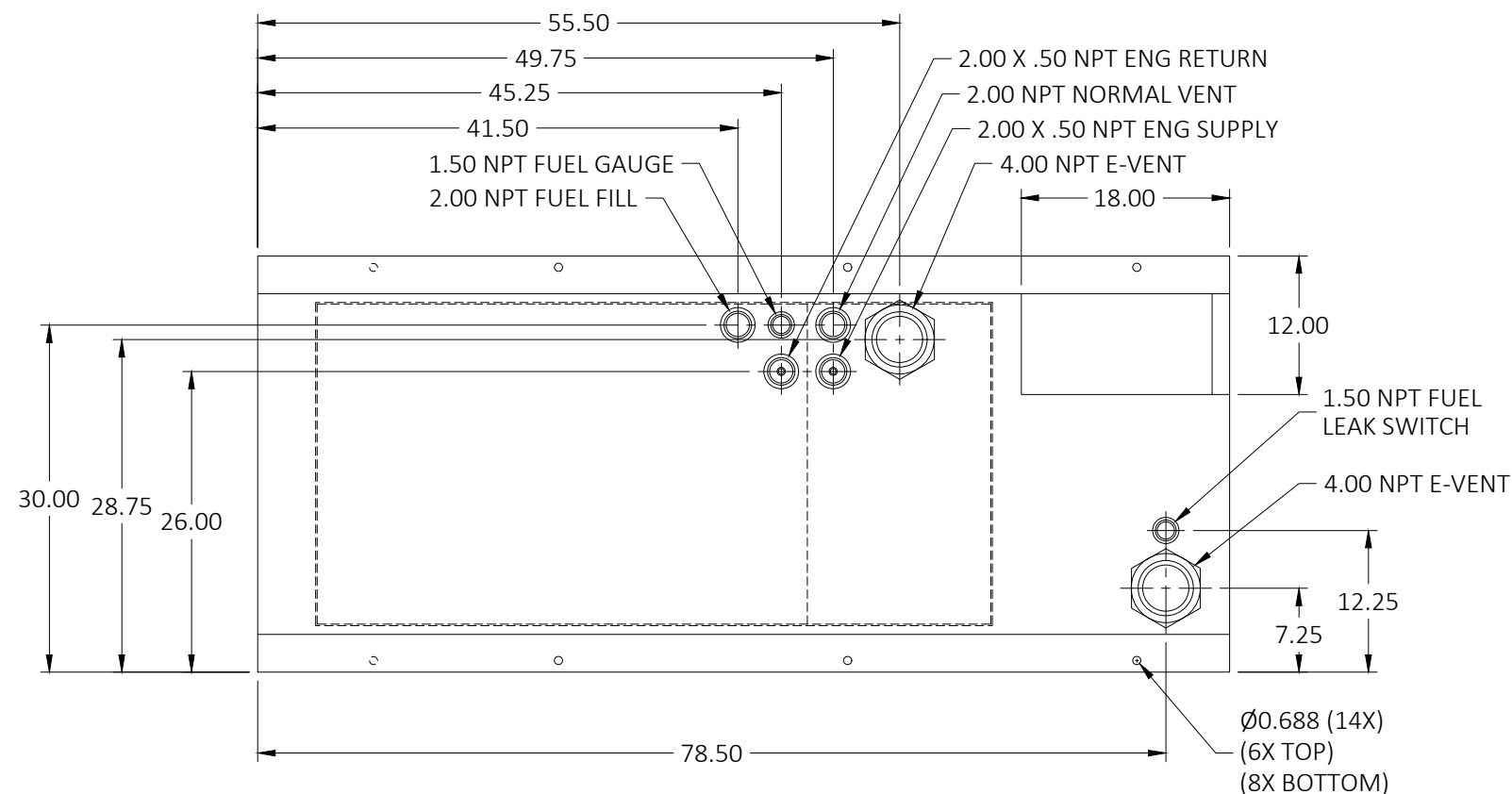


72HR / 210GL FUEL TANK

JD30-03IT4

PD20-01IT4

LV0 / LV1 / LV2 / LV3



NOTES:

1. MATERIAL: PER UL/ULC REQUIREMENTS
2. SECONDARY CONTAINMENT TANK
3. TANK TO INCLUDE:
 - FUEL SUPPLY/RETURN DIP TUBES
 - LIFTING/TIE DOWN BRACKETS

MATERIAL: SEE NOTES

FINISH: BLACK HAMMERED

REMOVE ALL BURRS AND SHARP EDGES
 TOLERANCE UNLESS OTHER SPECIFIED:
 FRACTIONAL: ± 1/32
 ANGULAR: ± 1°
 X.X = ± .1
 X.XX = ± .03
 X.XXX = ± .010
 DIMENSIONS ARE IN INCHES
 DO NOT SCALE DRAWING

R05	ADDED STEP HOLES TO LEFT SIDE	08-17-21	CRC
LEVEL:	DESCRIPTION:	DATE:	BY:
REVISIONS:			
<small>THE INFORMATION CONTAINED IN THIS DRAWING IS THE SOLE PROPERTY OF BLUE STAR POWER SYSTEMS, INC. ANY REPRODUCTION, IN PART OR AS A WHOLE, WITHOUT THE WRITTEN PERMISSION IS PROHIBITED.</small>			
<h2 style="margin: 0;">BLUE STAR</h2> <h3 style="margin: 0;">Power Systems Inc.</h3> <small>2250 CARLSON DRIVE, NORTH MANKATO, MINNESOTA 56003 1 507 345 1776</small>			
<h3 style="margin: 0;">TANK SB 210GL DW SC UL/ULC W/ STUB-UP</h3>			
	NAME	DATE	SIZE PART NUMBER:
	DRAWN BY: CRC	12-05-22	B 20108
	APPROVED: CRC	12-05-22	SCALE: NONE APPROX. WEIGHT: 1,100 LBS SHEET 1 OF 1