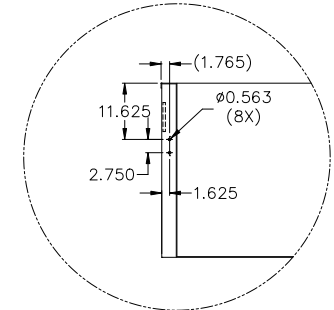
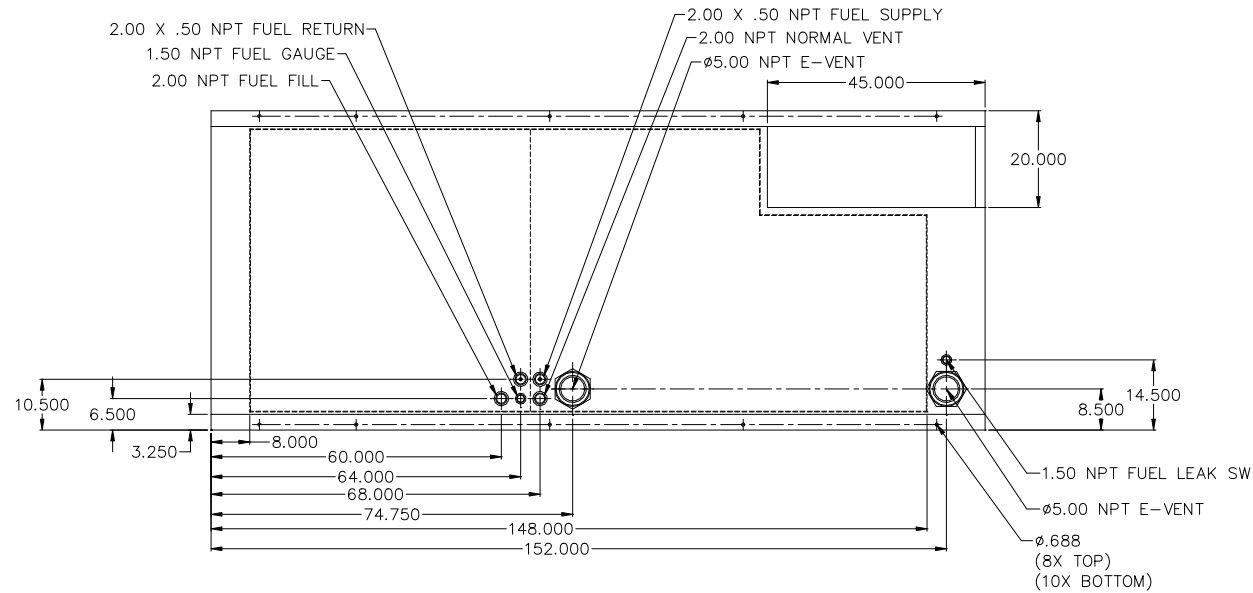


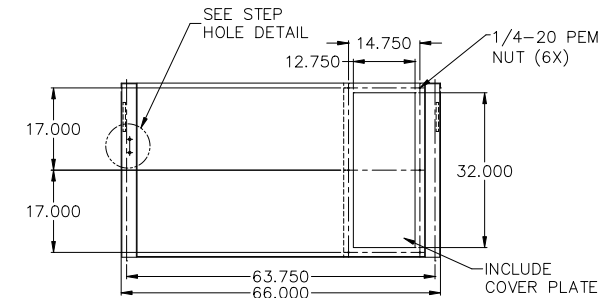
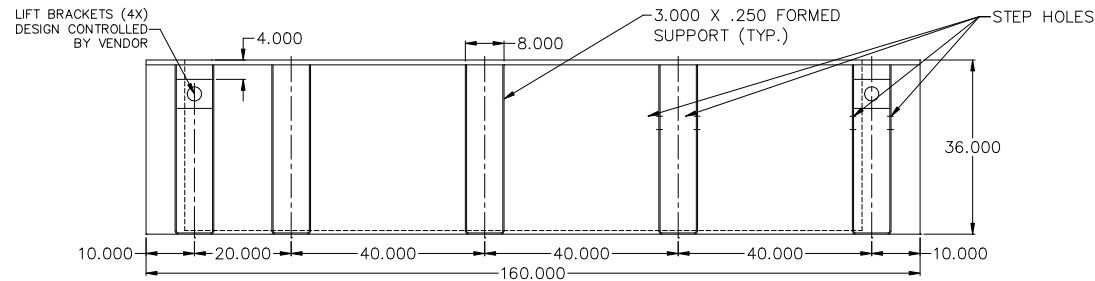
DRAWING:

3-0463

**48HR TANK
JD300
LV0/LV1/LV2
LEGACY**



STEP HOLE DETAIL



APPROXIMATE WEIGHT: 2700LBS

REVISIONS:

| LEVEL: | DESCRIPTION: | DATE: | BY: |
|--------|--------------|-------|-----|
| NA | NA | NA | NA |

BLUE STAR
Power Systems Inc.

TANK SB 1080GL DW UL W/STUB-UP

P/N: NA 160"L X 66"W X 36"H

DATE: 01-05-16

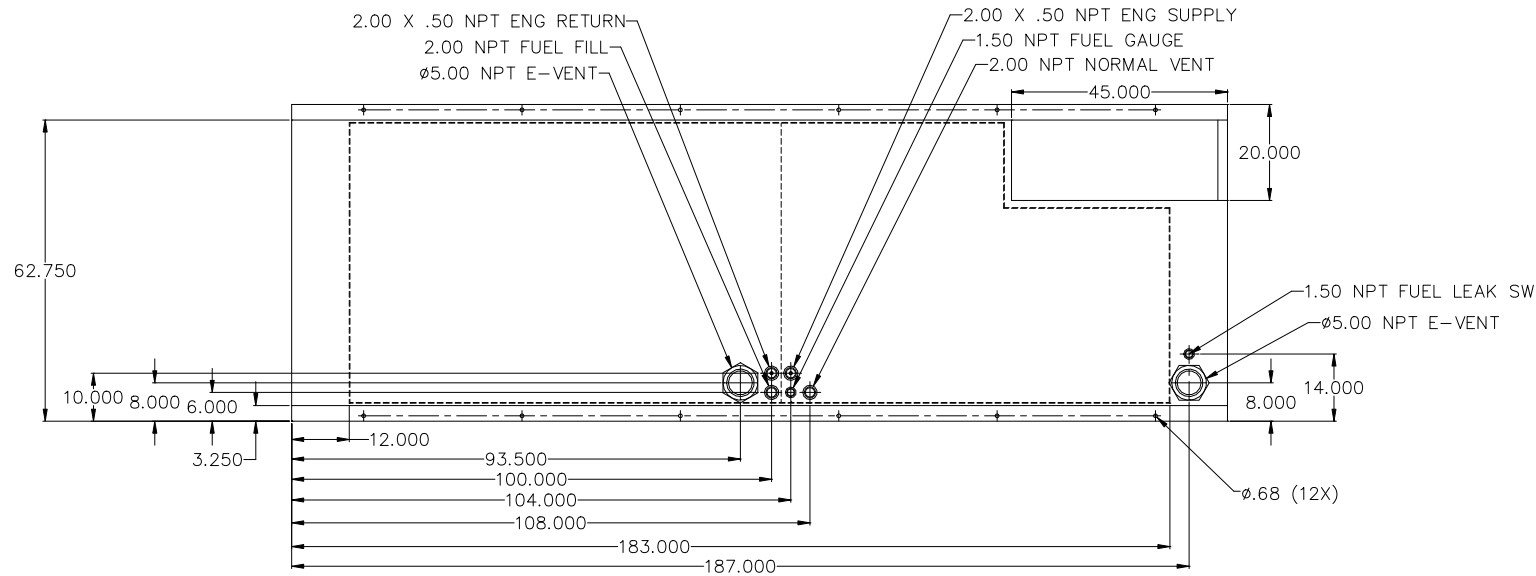
BY: KDH

DRAWN TO SCALE

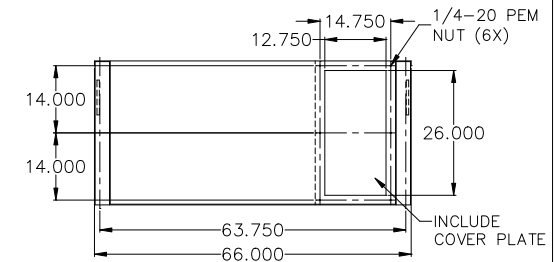
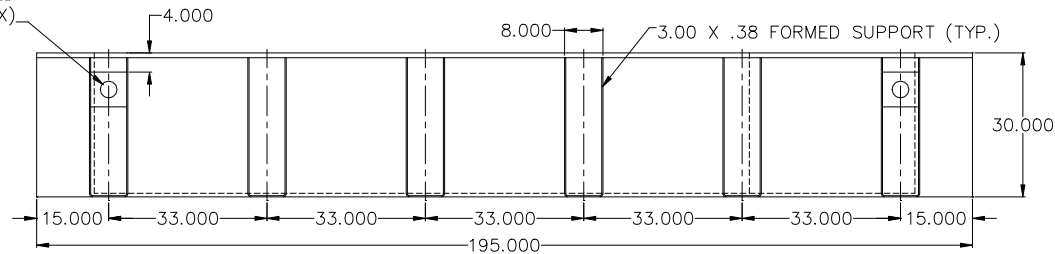
NOTES:

1. MATERIAL: 10GA
2. SECONDARY CONTAINMENT TANK
3. FINISH PAINT GLOSS BLACK
4. TANK TO INCLUDE
 - FUEL SUPPLY / RETURN DIP TUBES
 - LIFTING / TIE DOWN BRACKETS

**48HR TANK
JD300
LV3
LEGACY**



TANK LIFTING
BRACKETS SIZED
BY VENDOR (4X)



NOTES:

1. MATERIAL: 7GA RUPTURE BASIN
10GA INNER TANK
2. SECONDARY CONTAINMENT TANK
3. FINISH PAINT GLOSS BLACK
4. TANK TO INCLUDE
 - FUEL SUPPLY / RETURN DIP TUBES
 - LIFTING / TIE DOWN BRACKETS

APPROXIMATE WEIGHT: 3300LBS

REVISIONS:

| LEVEL: | DESCRIPTION: | DATE: | BY: |
|--------|--------------|-------|-----|
| NA | NA | NA | NA |

BLUE STAR
Power Systems Inc.

TANK SB 1080GL DW UL W/STUB-UP

P/N: NA 195"L X 66"W X 30"H

DATE: 01-05-16

BY: KDH

DRAWN TO SCALE