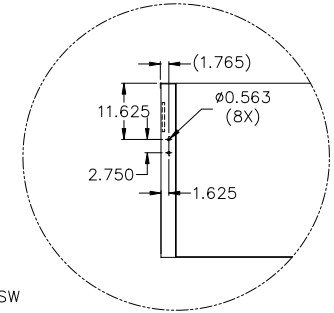
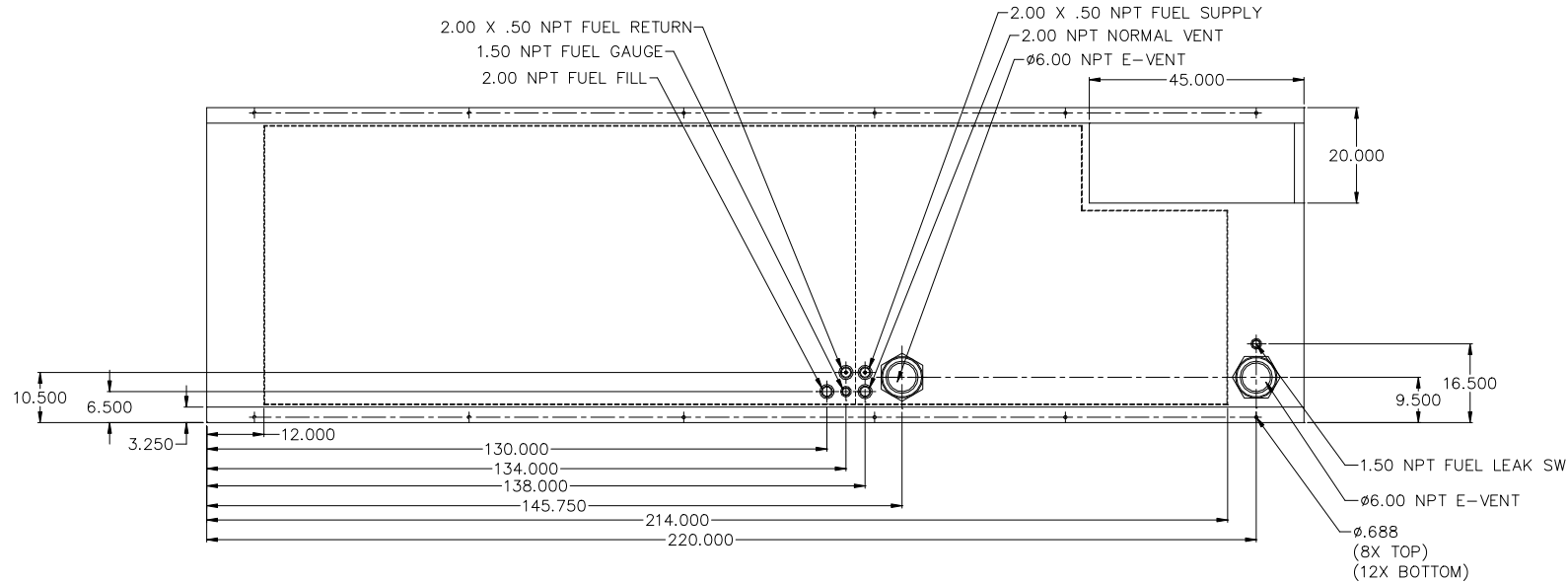
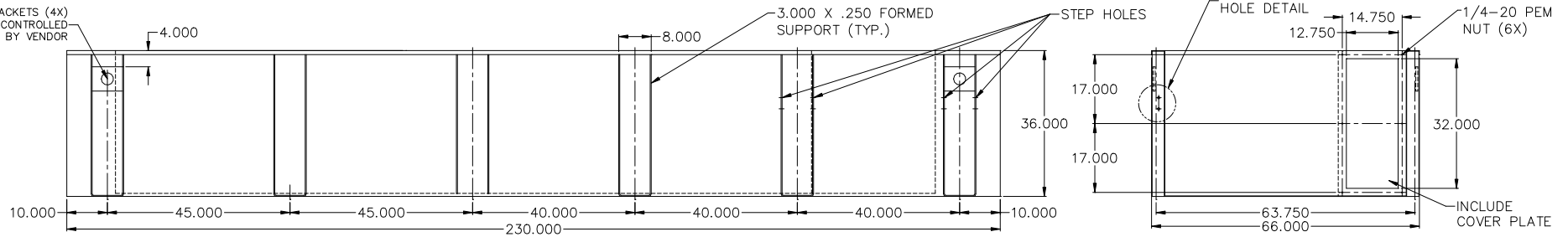


**72HR TANK
JD300
LV0/LV1/LV2
LEGACY**



STEP HOLE DETAIL

LIFT BRACKETS (4X)
DESIGN CONTROLLED
BY VENDOR

NOTES:

1. MATERIAL: 7GA. OUTER TANK
10GA INNER TANK
2. SECONDARY CONTAINMENT TANK
3. FINISH PAINT GLOSS BLACK
4. TANK TO INCLUDE
 - FUEL SUPPLY / RETURN DIP TUBES
 - LIFTING / TIE DOWN BRACKETS

APPROXIMATE WEIGHT: 4100LBS

REVISIONS:

LEVEL:	DESCRIPTION:	DATE:	BY:
NA	NA	NA	NA

BLUE STAR
Power Systems Inc.

TANK SB 1620GL DW UL W/STUB-UP

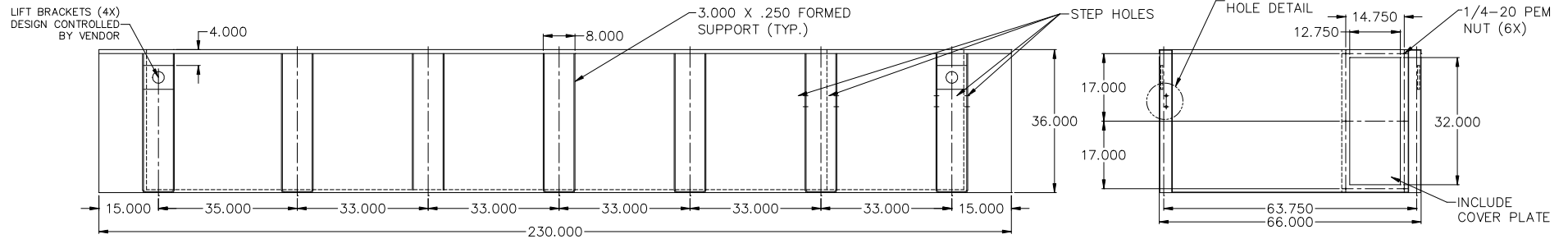
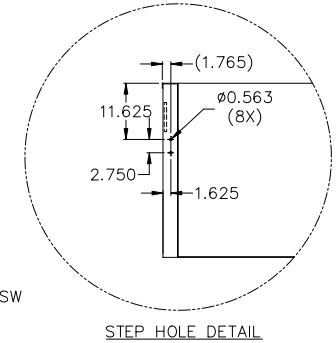
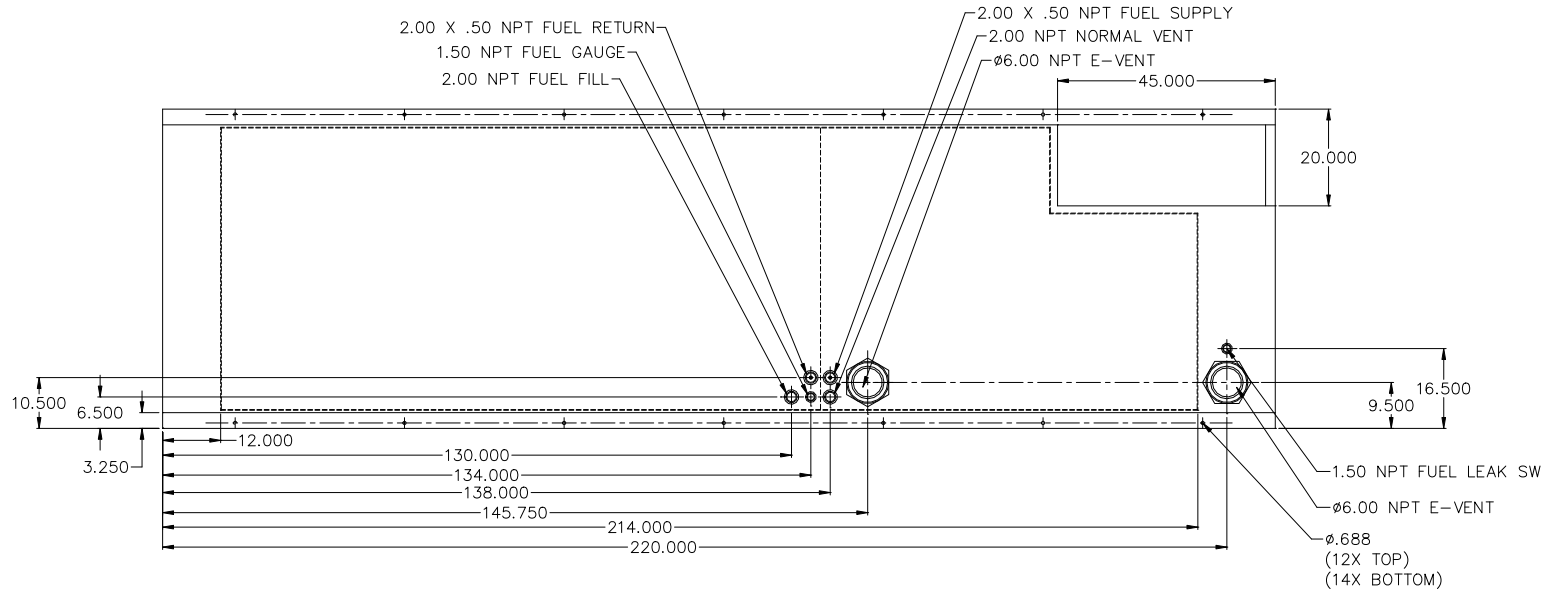
P/N: NA 230"L X 66"W X 36"H

DATE: 01-06-16

BY: KDH

DRAWN TO SCALE

**72HR TANK
JD300
LV3
LEGACY**



NOTES:

1. MATERIAL: 7GA. OUTER TANK
10GA INNER TANK
2. SECONDARY CONTAINMENT TANK
3. FINISH PAINT GLOSS BLACK
4. TANK TO INCLUDE
 - FUEL SUPPLY / RETURN DIP TUBES
 - LIFTING / TIE DOWN BRACKETS

APPROXIMATE WEIGHT: 4200 LBS

REVISIONS:

LEVEL:	DESCRIPTION:	DATE:	BY:
NA	NA	NA	NA

BLUE STAR
Power Systems Inc.

TANK SB 1620GL DW UL W/STUB-UP

P/N: NA 230"L X 66"W X 36"H

DATE: 01-06-16

BY: KDH

DRAWN TO SCALE