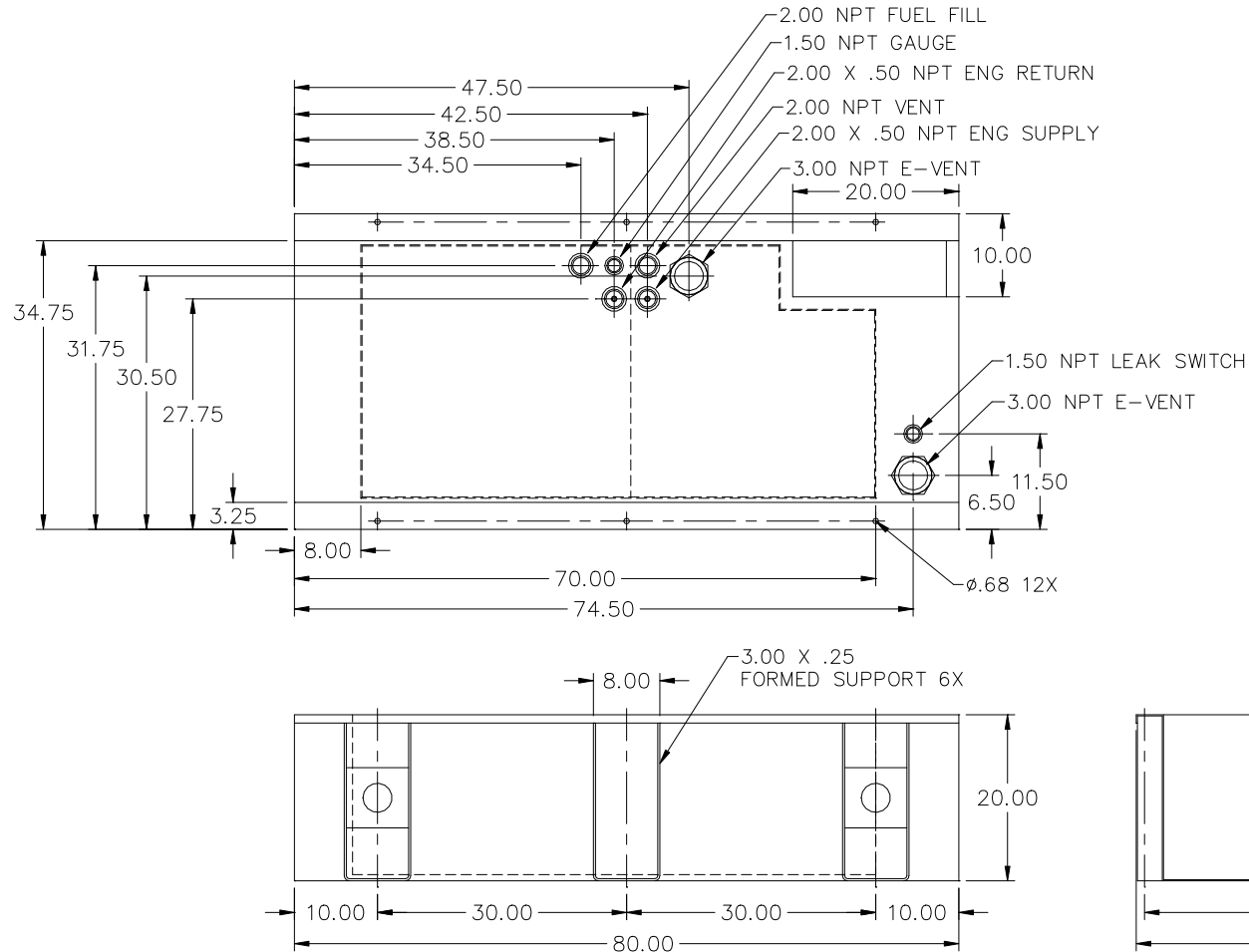


**24HR TANK**  
**JD40-03**  
**JD50-03**  
**JD60-03**



APPROXIMATE WEIGHT: 750LBS

## REVISIONS:

LEVEL:	DESCRIPTION:	DATE:	BY:
NA	NA	NA	NA

**BLUE STAR**  
**Power Systems Inc.**

**TANK SB 120GL DW UL W/ STUB-UP**  
**80 X 38 X 20**

P/N: 17722

DATE: 10-08-15

BY: KAP

DRAWN TO SCALE

## NOTES:

1. MATERIAL: 10GA
2. SECONDARY CONTAINMENT TANK
3. FINISH: PAINT SEMI GLOSS BLACK
4. TANK TO INCLUDE
  - FUEL SUPPLY / RETURN DIP TUBES
  - LIFTING / TIE DOWN BRACKETS

UNLESS OTHERWISE SPECIFIED DIMENSIONS ARE IN INCHES - DO NOT SCALE DRAWING

ANGLES	SHEET METAL			STRUCTURAL STEEL			
	.X	.XX	.XXX	STRAIGHTNESS PER FOOT	.X	.XX	.XXX
± 1.0°	± .13	± .06	± .06	— .18	± .18	± .06	± .06