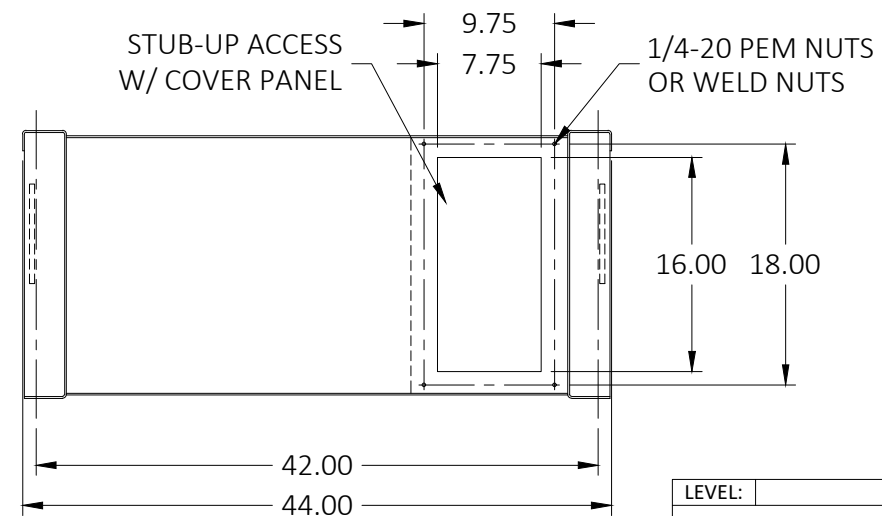
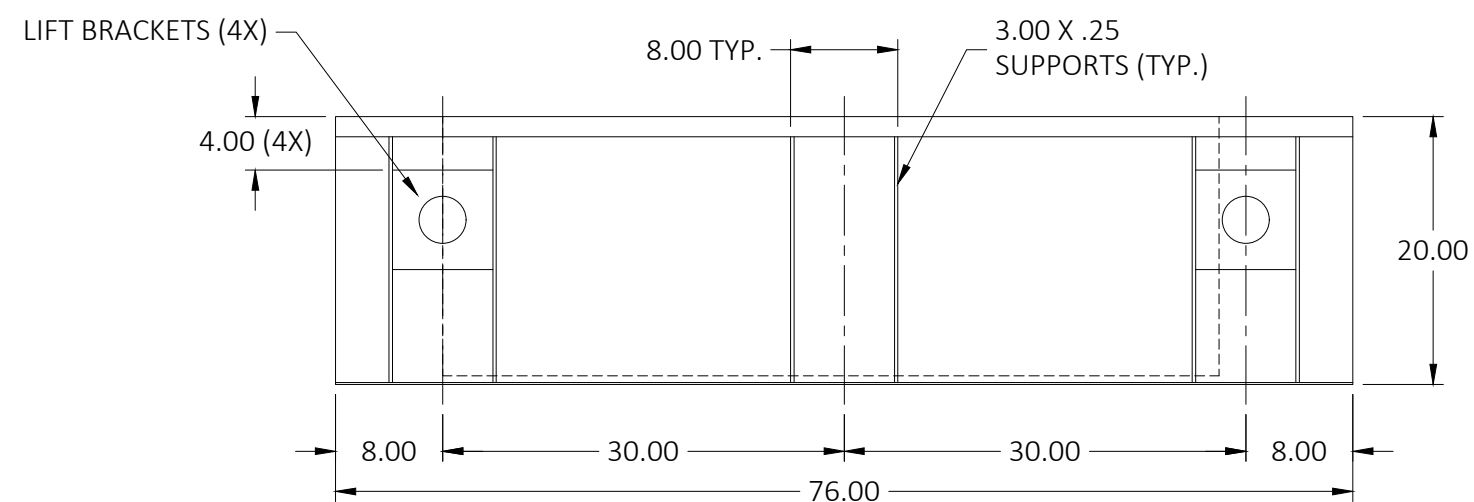
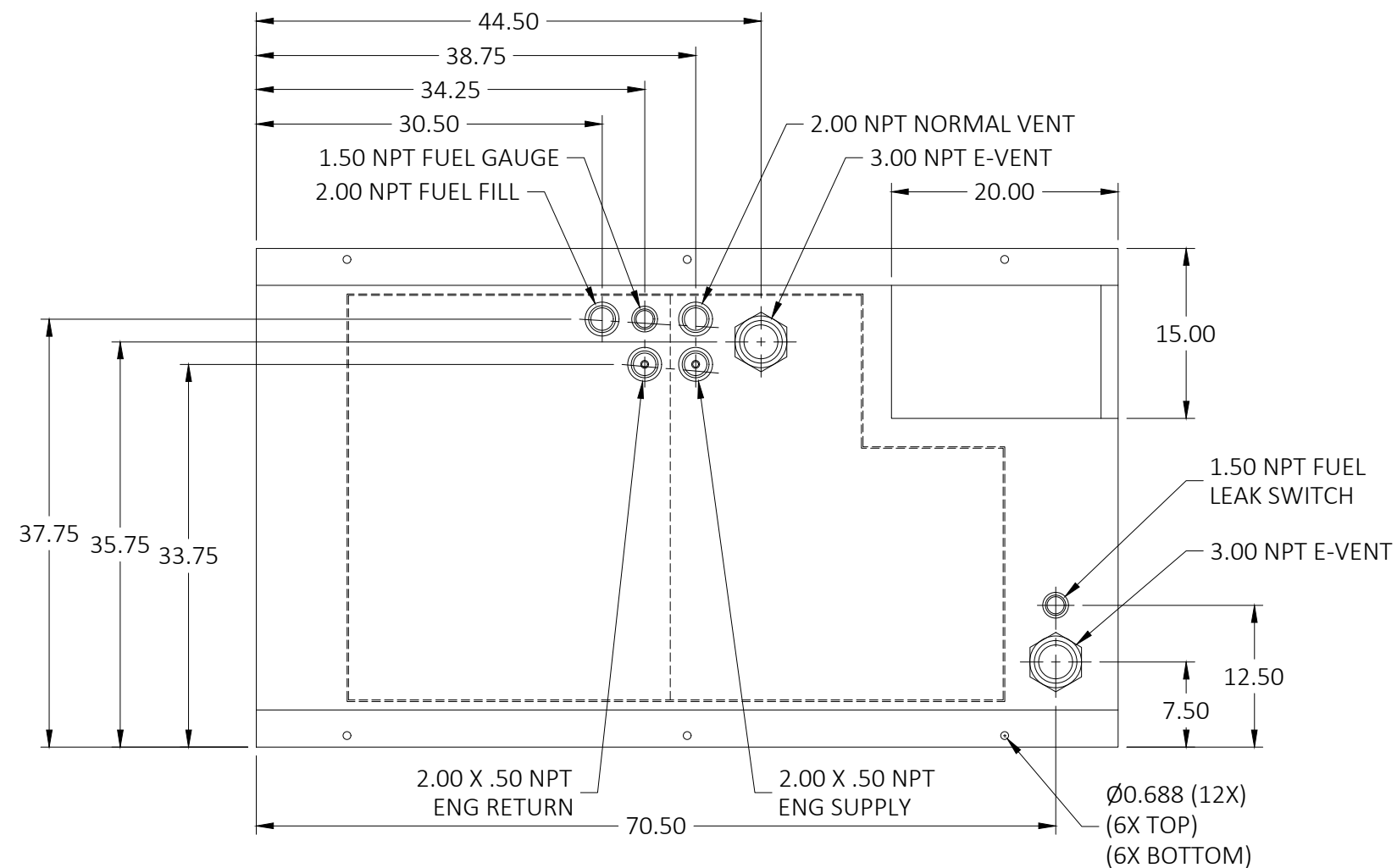


24HR / 150GL FUEL TANK
 JD40-05FT4
 LV0 / LV1 / LV2 / LV3



- NOTES:
1. MATERIAL: PER UL/ULC REQUIREMENTS
 2. SECONDARY CONTAINMENT TANK
 3. TANK TO INCLUDE:
 - FUEL SUPPLY/RETURN DIP TUBES
 - LIFTING/TIE DOWN BRACKETS

MATERIAL: SEE NOTES

FINISH: BLACK HAMMERED

REMOVE ALL BURRS AND SHARP EDGES
 TOLERANCE UNLESS OTHER SPECIFIED:
 FRACTIONAL: ± 1/32
 ANGULAR: ± 1°
 X.X = ± .1
 X.XX = ± .03
 X.XXX = ± .010
 DIMENSIONS ARE IN INCHES
 DO NOT SCALE DRAWING

LEVEL:	DESCRIPTION:	DATE:	BY:
REVISIONS:			
THE INFORMATION CONTAINED IN THIS DRAWING IS THE SOLE PROPERTY OF BLUE STAR POWER SYSTEMS, INC. ANY REPRODUCTION, IN PART OR AS A WHOLE, WITHOUT THE WRITTEN PERMISSION IS PROHIBITED.			
2250 CARLSON DRIVE, NORTH MANKATO, MINNESOTA 56003 1 507 345 1776			
TANK SB 150GL DW SC UL/ULC W/ STUB-UP			
NAME:	DATE:	SIZE:	PART NUMBER:
DRAWN BY: CRC	12-06-22	B	25763
APPROVED: CRC	12-06-22	SCALE: NONE	APPROX. WEIGHT: 900 LBS
			SHEET 1 OF 1