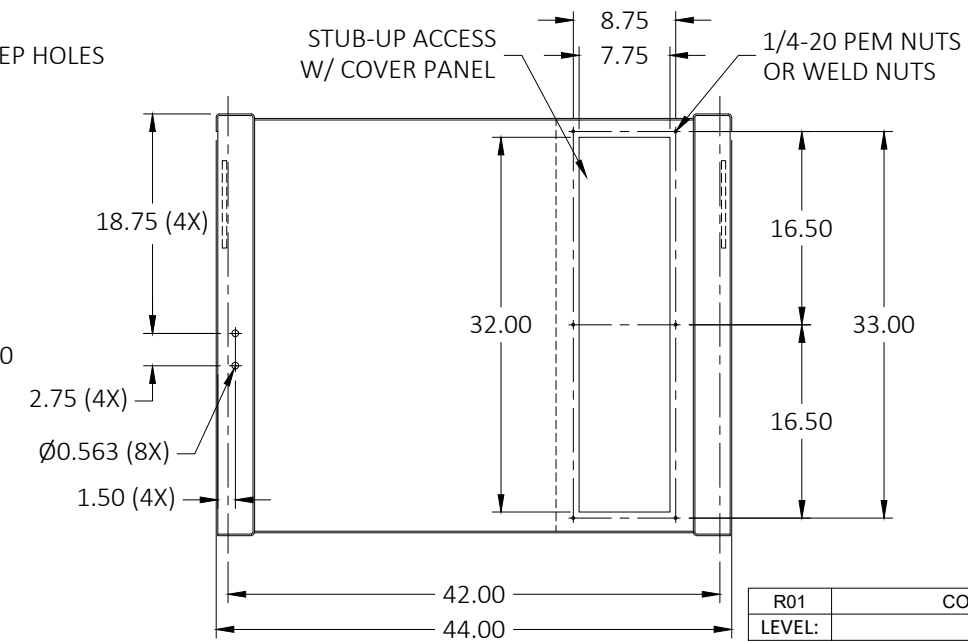
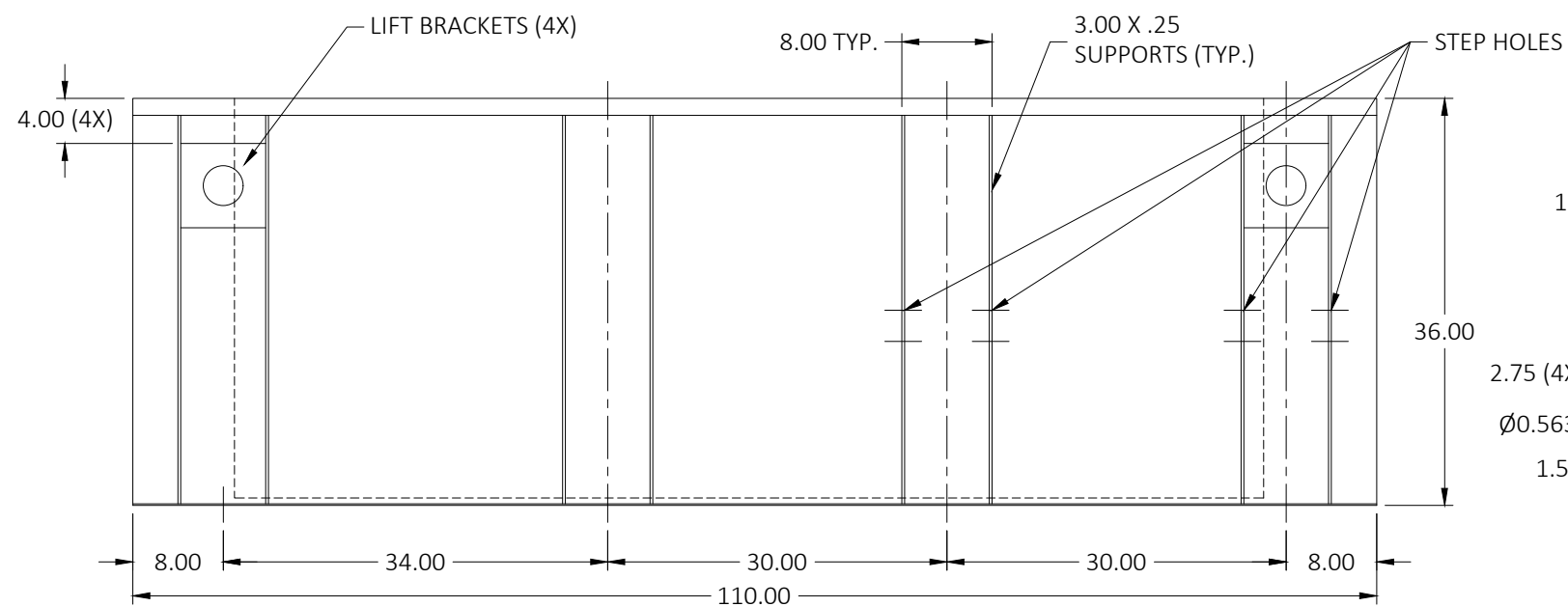
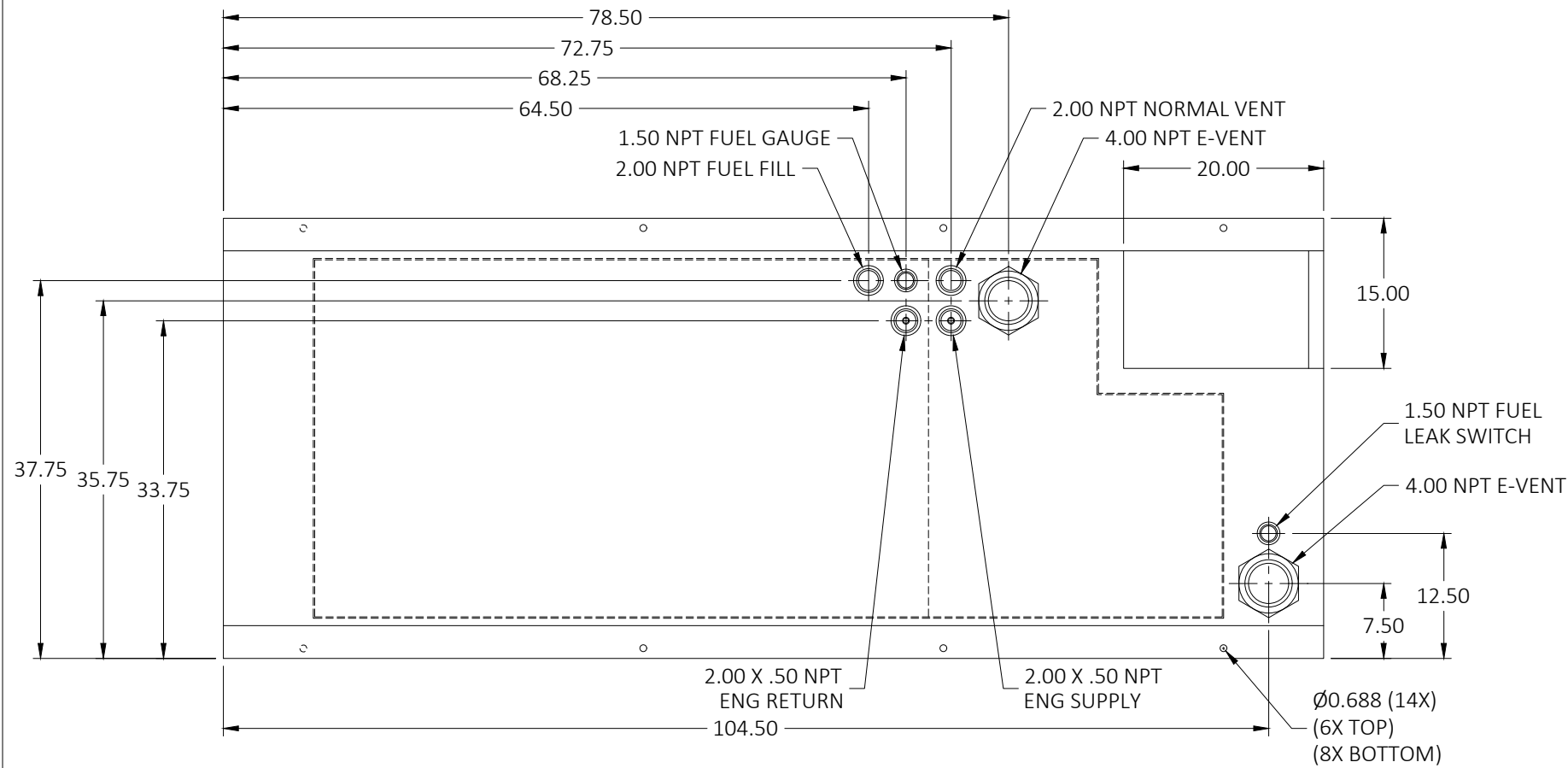


72HR / 450GL FUEL TANK

JD40-05FT4

LV0 / LV1 / LV2 / LV3



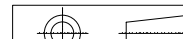
- NOTES:
1. MATERIAL: PER UL/ULC REQUIREMENTS
  2. SECONDARY CONTAINMENT TANK
  3. TANK TO INCLUDE:
    - FUEL SUPPLY/RETURN DIP TUBES
    - LIFTING/TIE DOWN BRACKETS

MATERIAL: SEE NOTES

FINISH: BLACK HAMMERED

R01	CONVERT TO SOLIDWORKS (3D)	04-08-21	CRC
LEVEL:	DESCRIPTION:	DATE:	BY:

REVISIONS:  
 THE INFORMATION CONTAINED IN THIS DRAWING IS THE SOLE PROPERTY OF BLUE STAR POWER SYSTEMS, INC. ANY REPRODUCTION, IN PART OR AS A WHOLE, WITHOUT THE WRITTEN PERMISSION IS PROHIBITED.



REMOVE ALL BURRS AND SHARP EDGES

TOLERANCE UNLESS OTHER SPECIFIED:

FRACTIONAL: ± 1/32  
 ANGULAR: ± 1°  
 X.X = ± .1  
 X.XX = ± .03  
 X.XXX = ± .010

DIMENSIONS ARE IN INCHES

DO NOT SCALE DRAWING

**BLUE STAR**  
 Power Systems Inc.  
 2250 CARLSON DRIVE, NORTH MANKATO, MINNESOTA 56003 | 1 507 345 1776

TANK SB 450GL DW SC UL/ULC W/ STUB-UP

NAME	DATE	SIZE	PART NUMBER:
DRAWN BY: CRC	12-06-22	B	25765
APPROVED: CRC	12-06-22	SCALE: NONE	APPROX. WEIGHT: 1,700 LBS