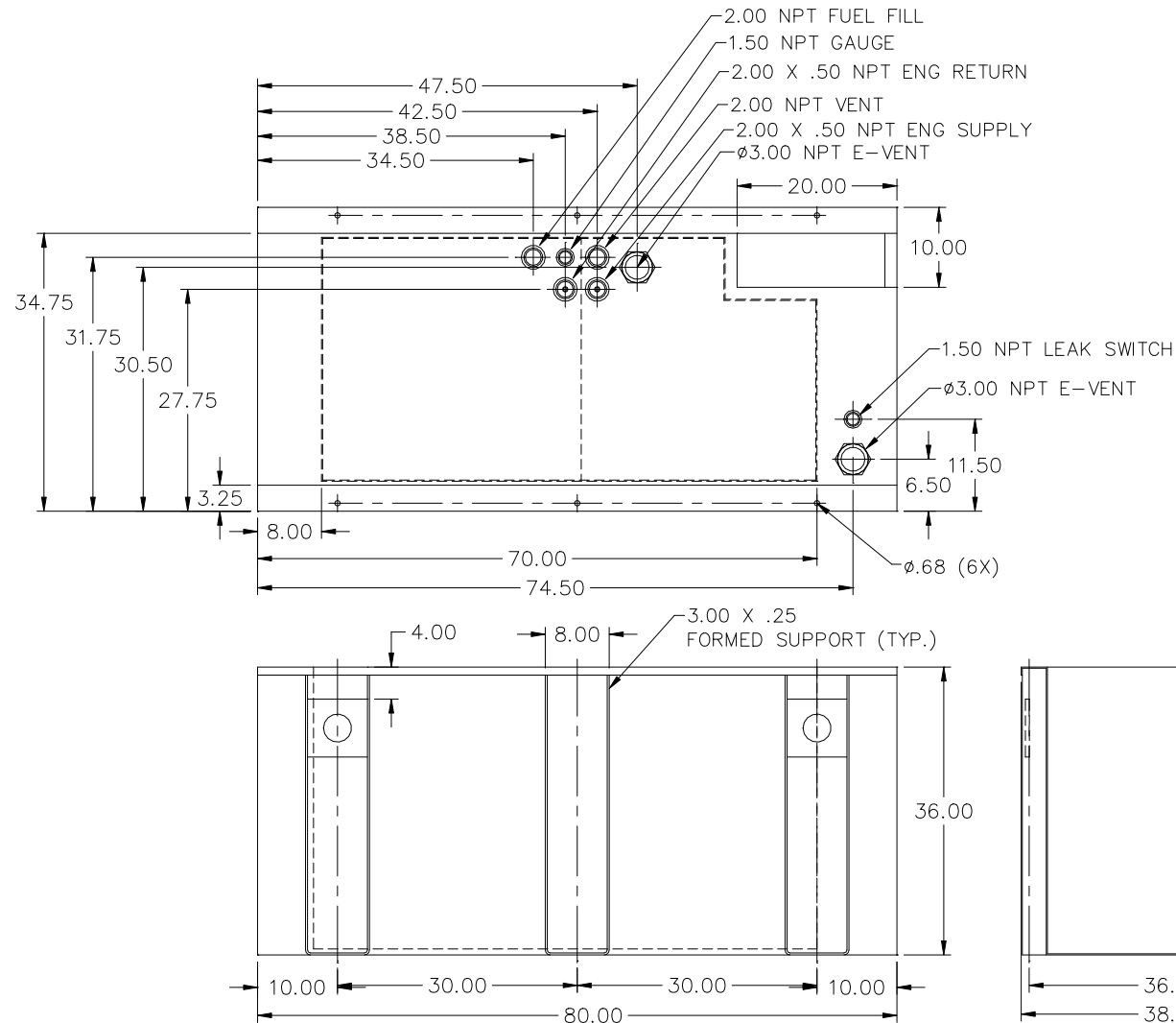


48HR TANK
JD40, JD50, JD60
LVO/LV1/LV2/LV3



NOTES:

1. MATERIAL: 10GA
2. SECONDARY CONTAINMENT TANK
3. FINISH: PAINT SEMI GLOSS BLACK
4. TANK TO INCLUDE
 - FUEL SUPPLY / RETURN DIP TUBES
 - LIFTING / TIE DOWN BRACKETS

APPROXIMATE WEIGHT: 1100 LBS

REVISIONS:

LEVEL:	DESCRIPTION:	DATE:	BY:
NA	NA	NA	NA

BLUE STAR
 Power Systems Inc.

TANK SB 240GL DW UL W/ STUB-UP

P/N: NA 80"L X 38"W X 36"H

DATE: 12-25-15 BY: KDH DRAWN TO SCALE

UNLESS OTHERWISE SPECIFIED DIMENSIONS ARE IN INCHES - DO NOT SCALE DRAWING

ANGLES	SHEET METAL			STRUCTURAL STEEL			
	.X	.XX	.XXX	STRAIGHTNESS PER FOOT	.X	.XX	.XXX
± 1.0°	± .13	± .06	± .06	-.18	± .18	± .06	± .06