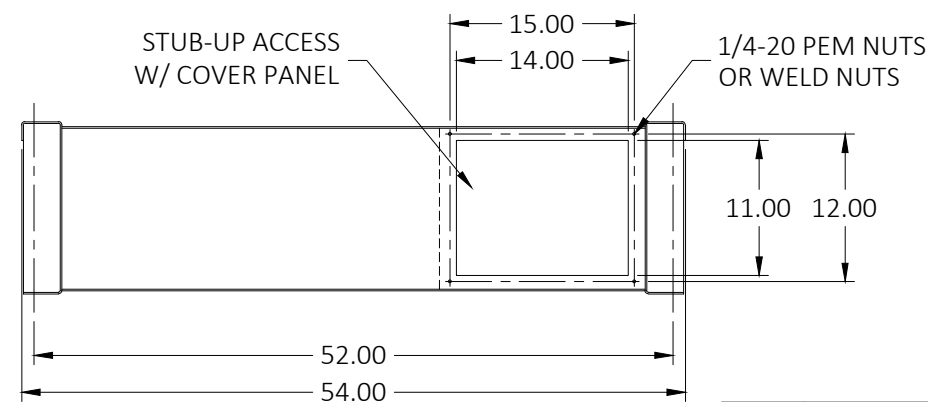
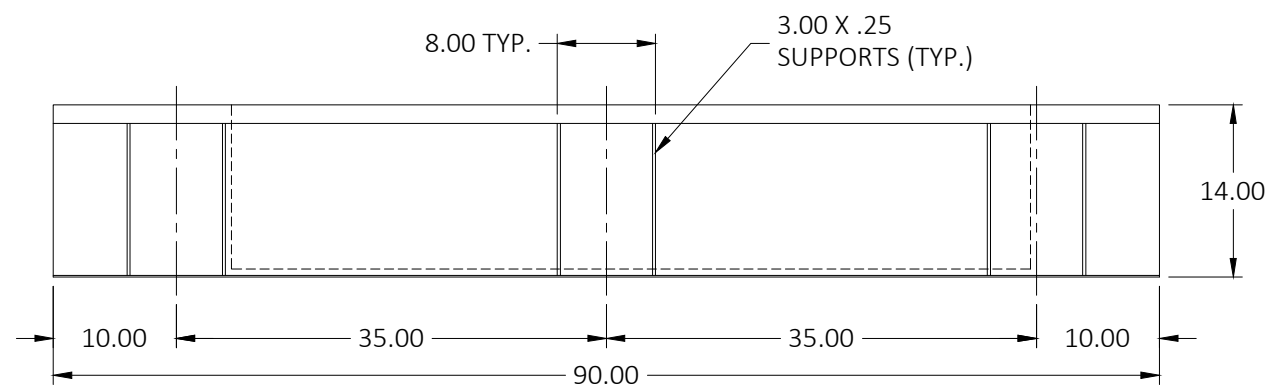
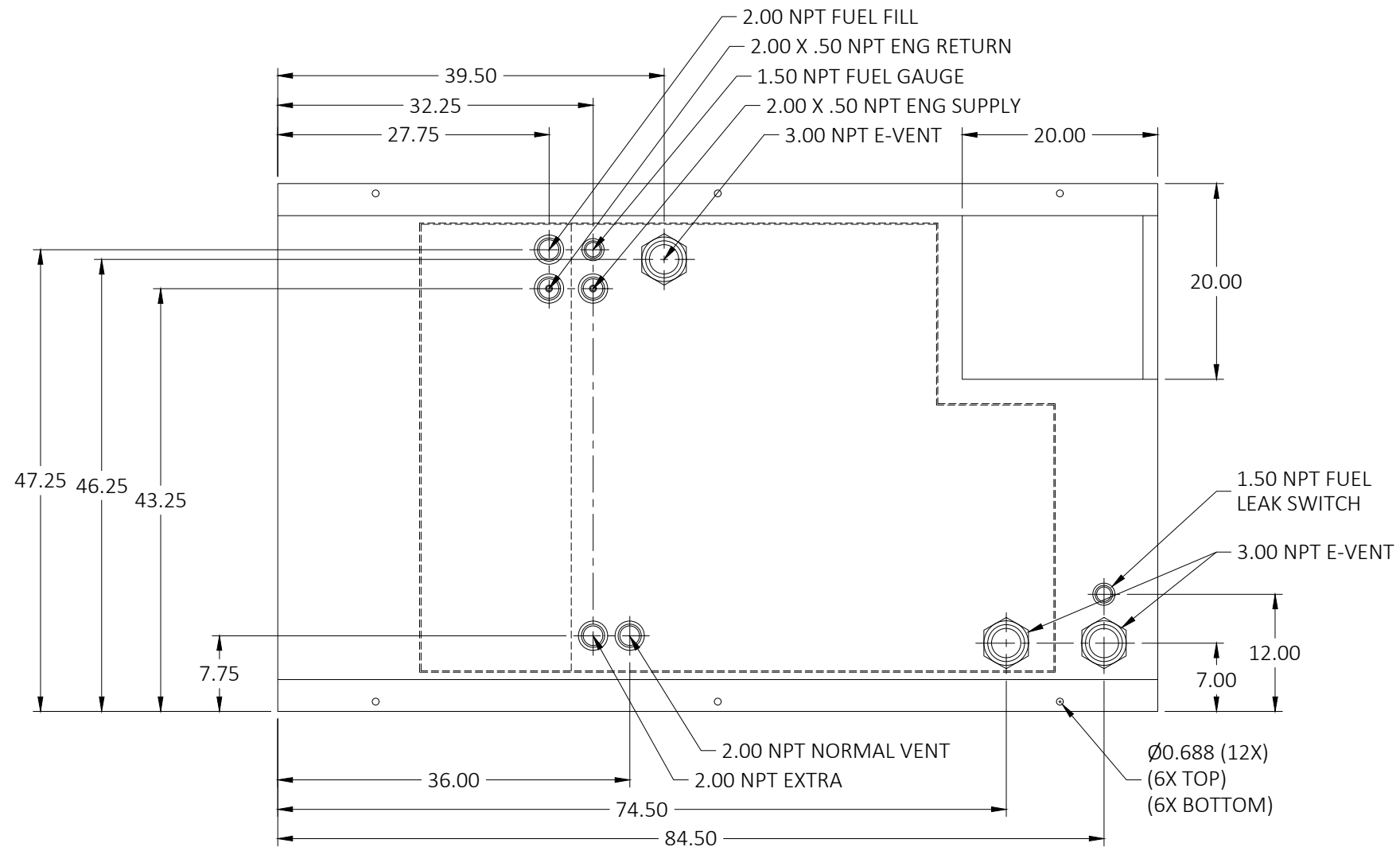


24HR / 150GL FUEL TANK
 JD60-04FT4, JD80-03FT4
 LV0 / LV1 / LV2 / LV3



- NOTES:
1. MATERIAL: PER UL/ULC REQUIREMENTS
 2. SECONDARY CONTAINMENT TANK
 3. TANK TO INCLUDE:
 -FUEL SUPPLY/RETURN DIP TUBES

MATERIAL: SEE NOTES

FINISH: BLACK HAMMERED

REMOVE ALL BURRS AND SHARP EDGES
 TOLERANCE UNLESS OTHER SPECIFIED:
 FRACTIONAL: ± 1/32
 ANGULAR: ± 1°
 X.X = ± .1
 X.XX = ± .03
 X.XXX = ± .010

R03	E-VENTS TO 3.00 NPT & FINISH TO BLACK HAMMERED	12-09-21	CRC
LEVEL:	DESCRIPTION:	DATE:	BY:

REVISIONS:
 THE INFORMATION CONTAINED IN THIS DRAWING IS THE SOLE PROPERTY OF BLUE STAR POWER SYSTEMS, INC. ANY REPRODUCTION, IN PART OR AS A WHOLE, WITHOUT THE WRITTEN PERMISSION IS PROHIBITED.



2250 CARLSON DRIVE, NORTH MANKATO, MINNESOTA 56003 | 1 507 345 1776

TANK SB 150GL DW SC UL/ULC W/ STUB-UP

NAME	DATE	SIZE	PART NUMBER:
CRC	12-06-22	B	25655
APPROVED:	CRC	SCALE: NONE	APPROX. WEIGHT: 900 LBS
DO NOT SCALE DRAWING	12-06-22		SHEET 1 OF 1