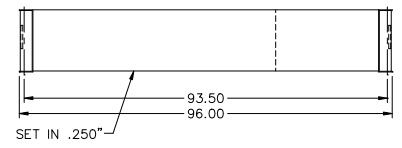
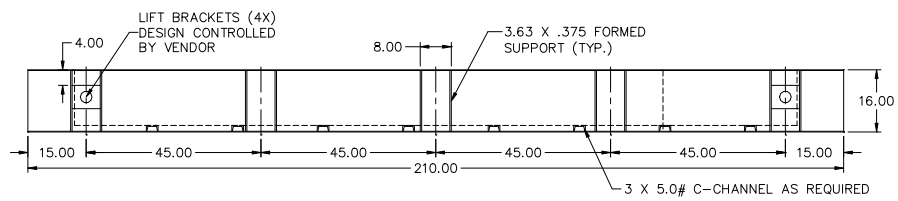
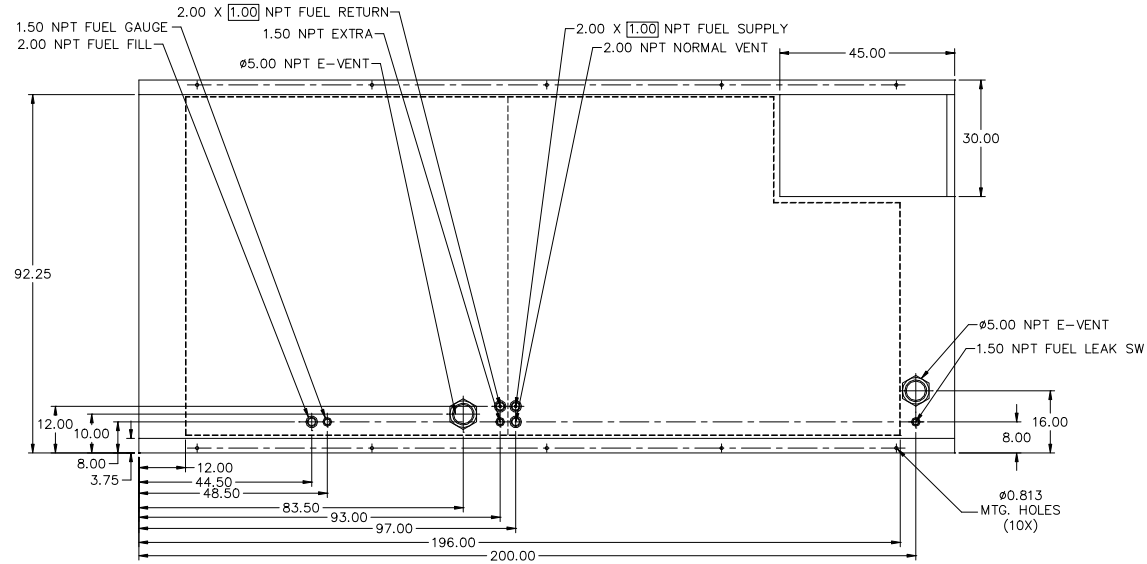


12HR TANK  
MD800, MD1000  
LV0/LV1/LV2



- NOTES:
- MATERIAL: 7GA. RUPTURE BASIN  
7GA. INNER TANK
  - SECONDARY CONTAINMENT TANK
  - FINISH PAINT GLOSS BLACK
  - TANK TO INCLUDE
    - FUEL SUPPLY / RETURN DIP TUBES
    - LIFTING / TIE DOWN BRACKETS
  - FUEL NPT SUPPLY/RETURN 2.00 X 1.00

APPROXIMATE WEIGHT: 4200 LBS

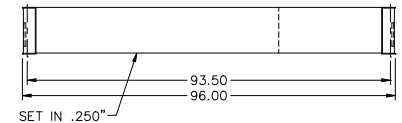
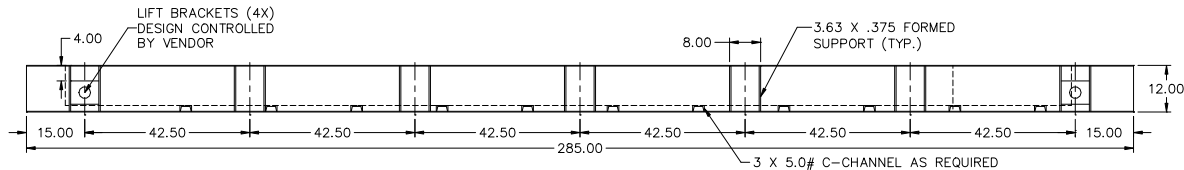
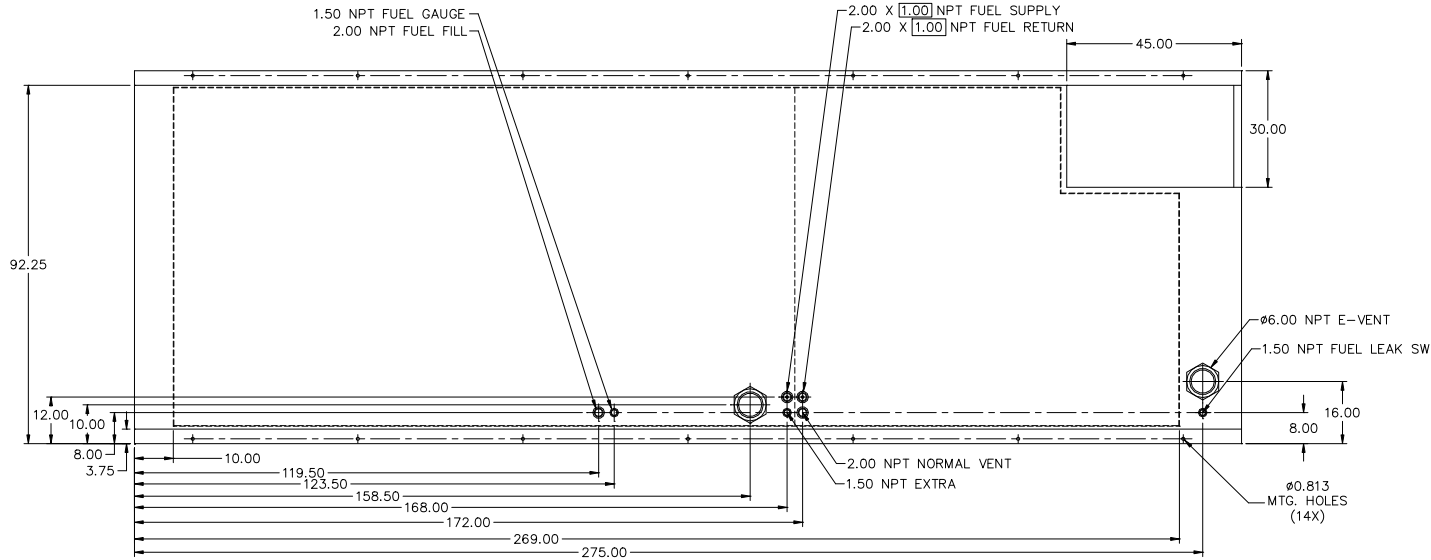
REVISIONS:			
LEVEL:	DESCRIPTION:	DATE:	BY:
01	MOVE FITTINGS TO STANDARDIZE LOCATIONS, MATERIAL	07-15-16	KAP

**BLUE STAR**  
Power Systems Inc.

**TANK SB 900GL DW UL W/STUB-UP**

P/N: 20922	210"L X 96"W X 16"H
DATE: 07-15-16	BY: KDH DRAWN TO SCALE

12HR TANK  
MD800, MD 1000  
LV3



NOTES:

1. MATERIAL: 7GA. RUPTURE BASIN  
7GA. INNER TANK
2. SECONDARY CONTAINMENT TANK
3. FINISH PAINT GLOSS BLACK
4. TANK TO INCLUDE
  - FUEL SUPPLY / RETURN DIP TUBES
  - LIFTING / TIE DOWN BRACKETS
5. FUEL NPT SUPPLY/RETURN 2.00 X 1.00

APPROXIMATE WEIGHT: 5200 LBS

REVISIONS:

LEVEL:	DESCRIPTION:	DATE:	BY:
01	MOVED FUEL FILL INSIDE DOORWAY	07-05-16	KAP

**BLUE STAR**  
Power Systems Inc.

TANK SB 900GL DW UL W/STUB-UP

P/N: 20923 285"L X 96"W X 12"H

DATE: 07-15-16

BY: KDH

DRAWN TO SCALE