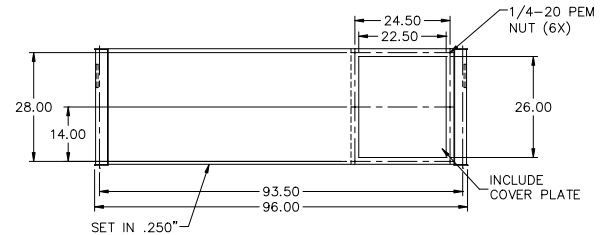
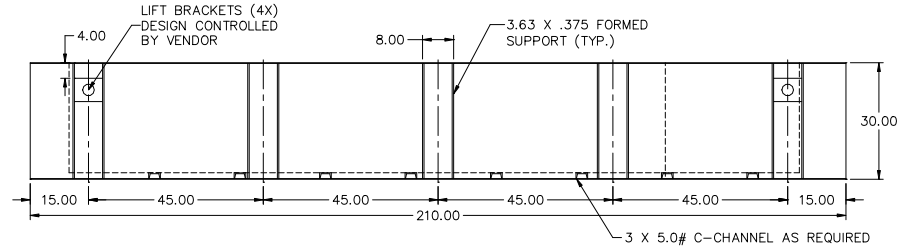
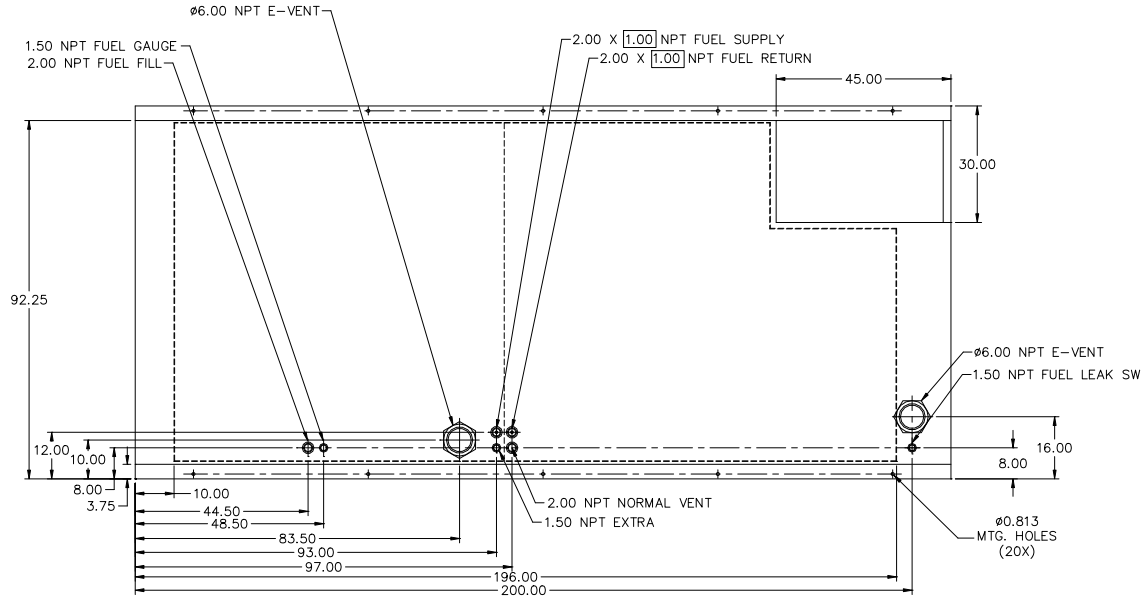


**24HR TANK
MD800, MD1000
LV0/LV1/LV2**



- NOTES:
1. MATERIAL: 7GA. RUPTURE BASIN
7GA. INNER TANK
 2. SECONDARY CONTAINMENT TANK
 3. FINISH PAINT GLOSS BLACK
 4. TANK TO INCLUDE
 - FUEL SUPPLY / RETURN DIP TUBES
 - LIFTING / TIE DOWN BRACKETS
 5. FUEL NPT SUPPLY/RETURN 2.00 X 1.00

APPROXIMATE WEIGHT: 5100 LBS

REVISIONS:

LEVEL:	DESCRIPTION:	DATE:	BY:
01	MOVE FITTINGS TO STANDARDIZE LOCATIONS, MATERIAL	07-15-16	KAP

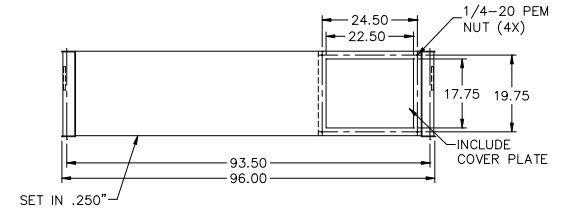
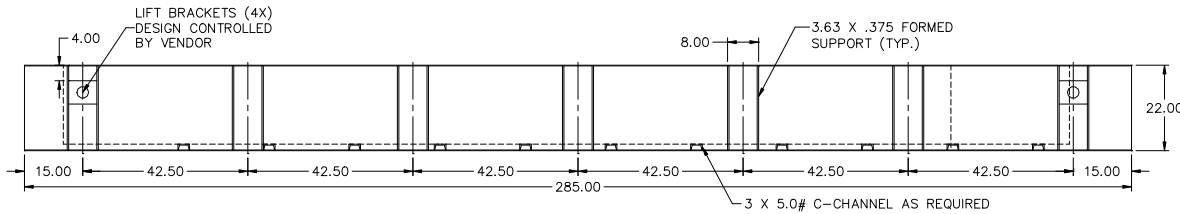
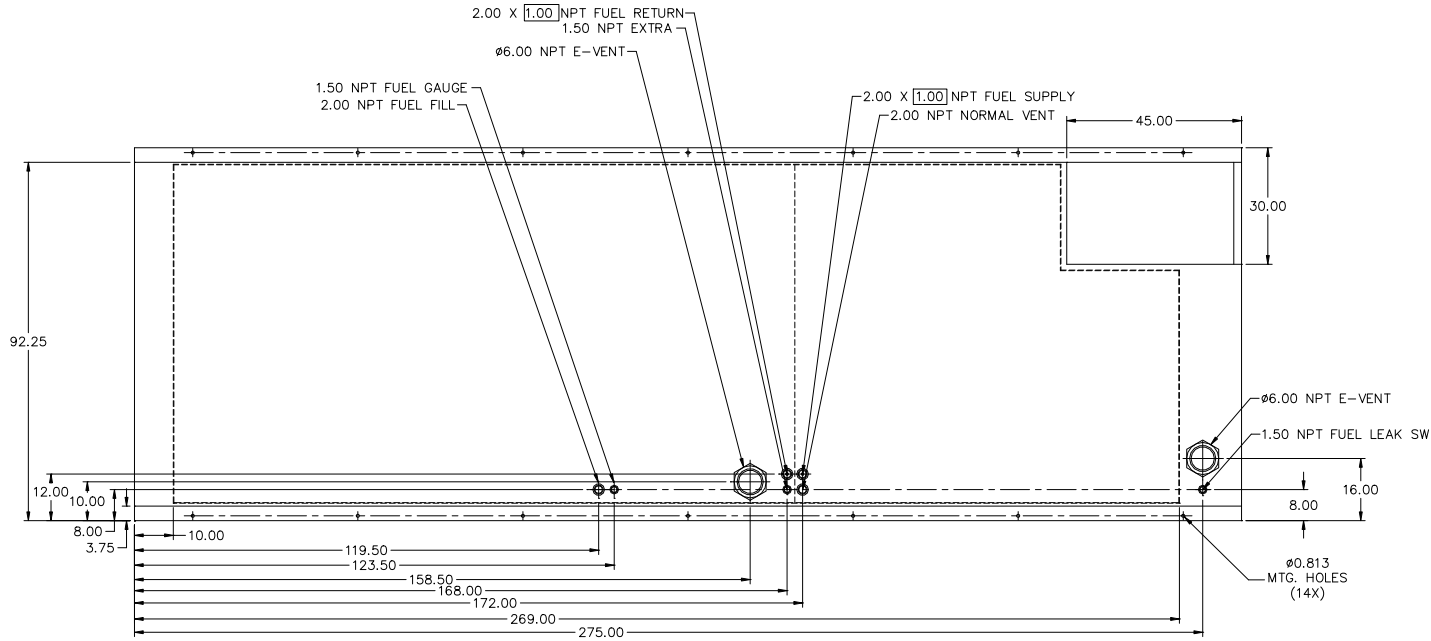


TANK SB 1800GL DW UL W/STUB-UP

P/N: 19663 210"L X 96"W X 30"H

DATE: 05-18-16 BY: KAP DRAWN TO SCALE

**24HR TANK
MD800, MD 1000
LV3**



- NOTES:
1. MATERIAL: 7GA. RUPTURE BASIN
7GA. INNER TANK
 2. SECONDARY CONTAINMENT TANK
 3. FINISH PAINT GLOSS BLACK
 4. TANK TO INCLUDE
 - FUEL SUPPLY / RETURN DIP TUBES
 - LIFTING / TIE DOWN BRACKETS
 5. FUEL NPT SUPPLY/RETURN 2.00 X 1.00

APPROXIMATE WEIGHT: 6200 LBS

REVISIONS:

LEVEL:	DESCRIPTION:	DATE:	BY:
01	MOVE FITTINGS TO STANDARDIZE LOCATIONS, MATERIAL	07-15-16	KAP



TANK SB 1800GL DW UL W/STUB-UP

P/N: 20234 285"L X 96"W X 22"H

DATE: 07-15-16 BY: KDH DRAWN TO SCALE