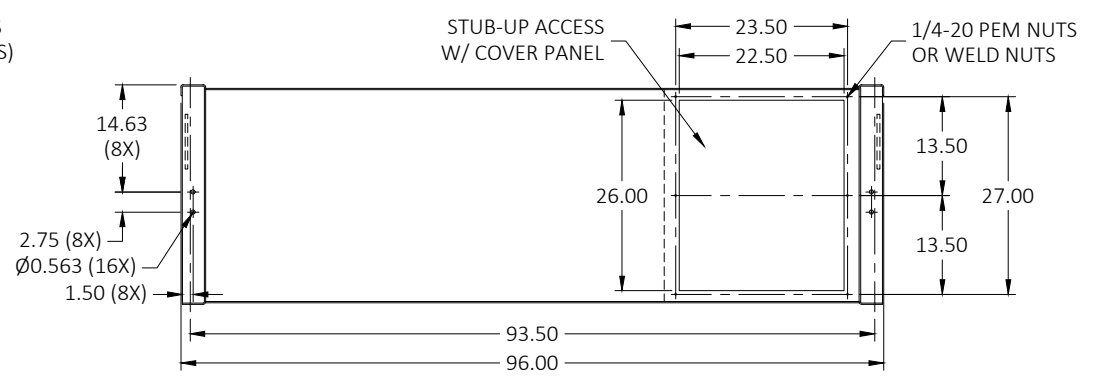
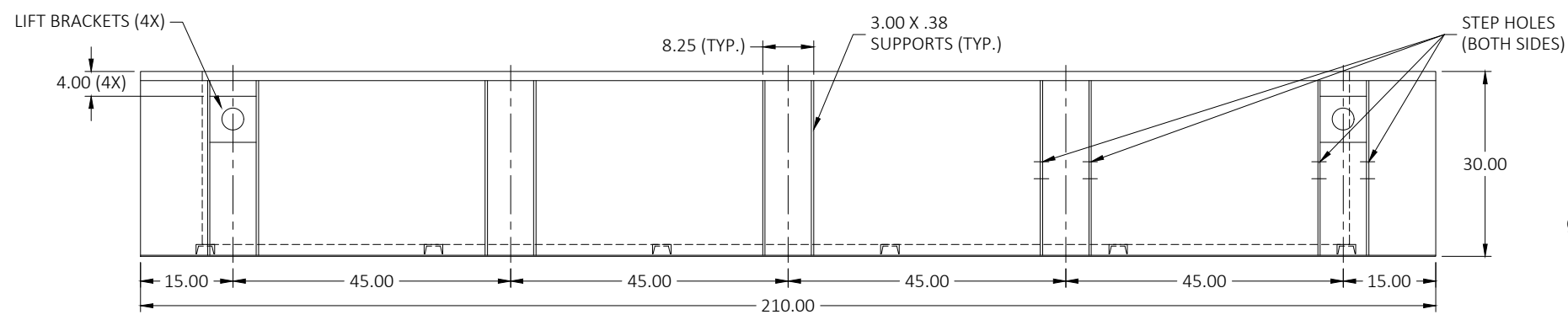
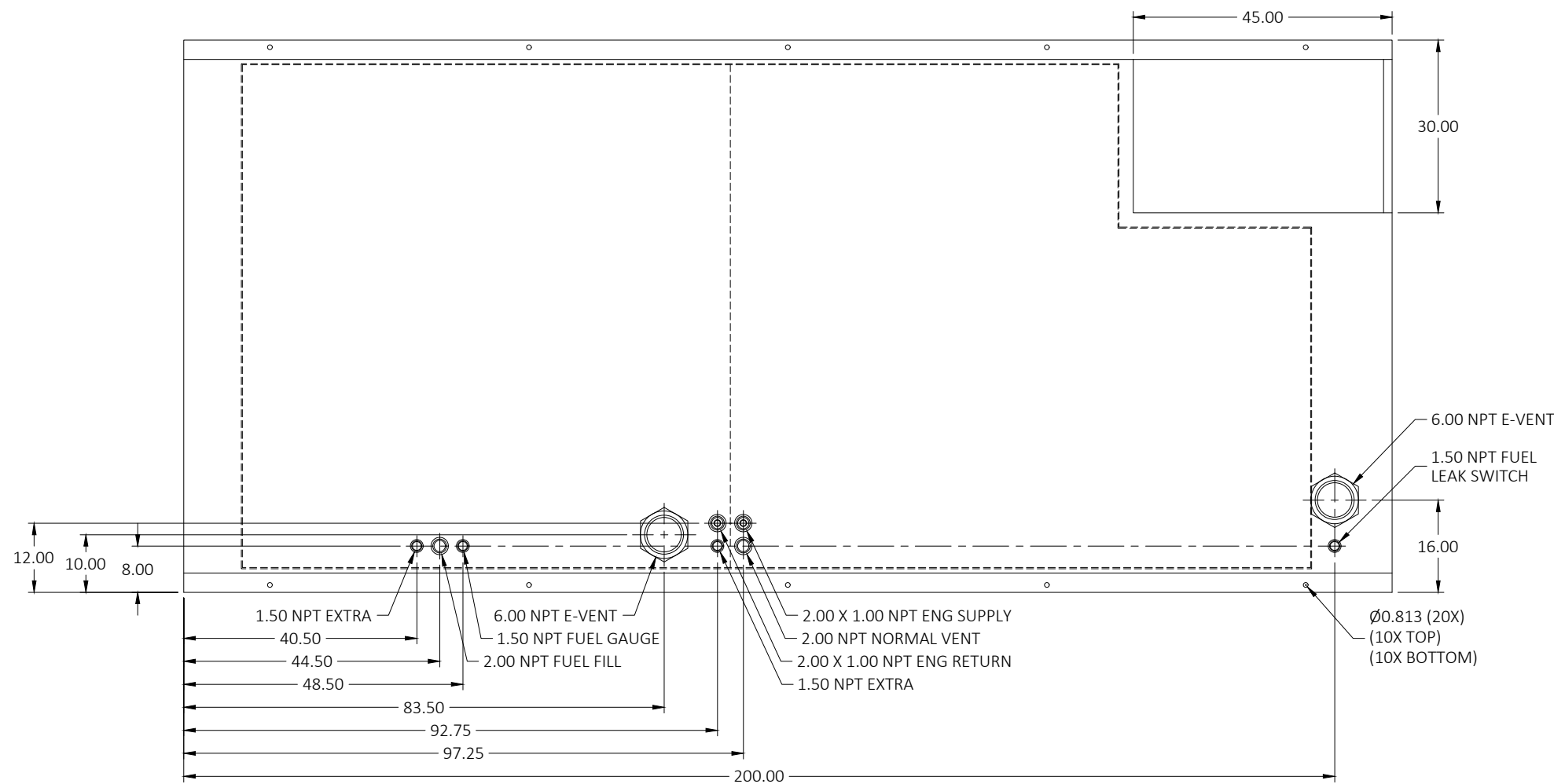


DRAWING: 19663

24HR / 1,800GL FUEL TANK
 MD800-01, MD1000-01
 LV0 / LV1 / LV2



- NOTES:
1. MATERIAL: PER UL/ULC REQUIREMENTS
 2. SECONDARY CONTAINMENT TANK
 3. TANK TO INCLUDE:
 - FUEL SUPPLY/RETURN DIP TUBES
 - LIFTING/TIE DOWN BRACKETS

MATERIAL: SEE NOTES FINISH: BLACK HAMMERED

R06	CHANGED FINISH TO BLACK HAMMERED	02-11-20	CRC
LEVEL:	DESCRIPTION:	DATE:	BY:

REVISIONS:

THE INFORMATION CONTAINED IN THIS DRAWING IS THE SOLE PROPERTY OF BLUE STAR POWER SYSTEMS, INC. ANY REPRODUCTION, IN PART OR AS A WHOLE, WITHOUT THE WRITTEN PERMISSION IS PROHIBITED.

REMOVE ALL BURRS AND SHARP EDGES

TOLERANCE UNLESS OTHER SPECIFIED:

FRACTIONAL: ± 1/32
 ANGULAR: ± 1°
 X.X = ± .1
 X.XX = ± .03
 X.XXX = ± .010

DIMENSIONS ARE IN INCHES

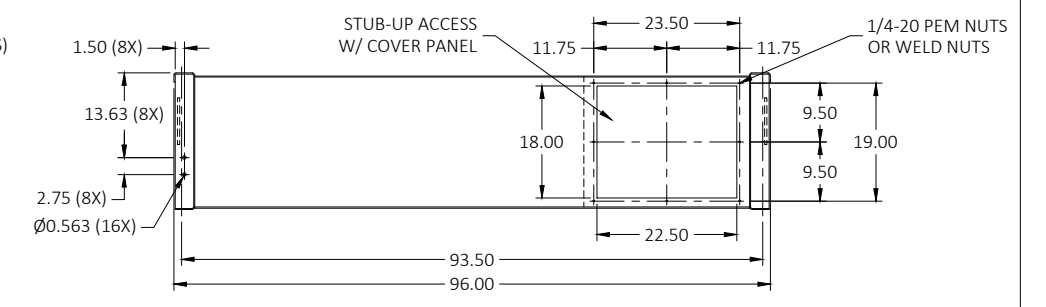
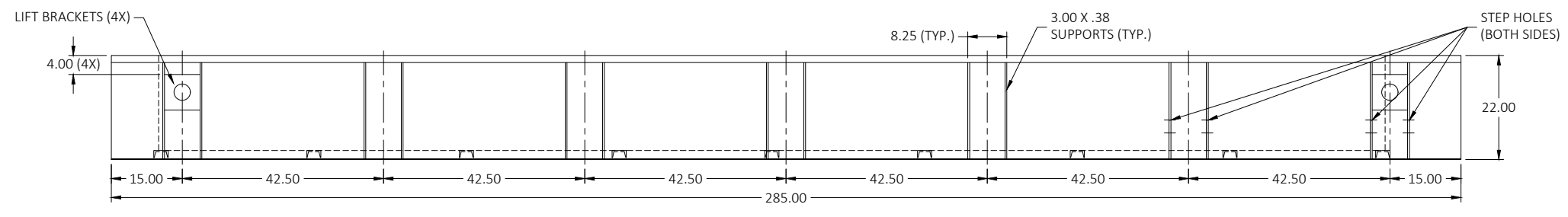
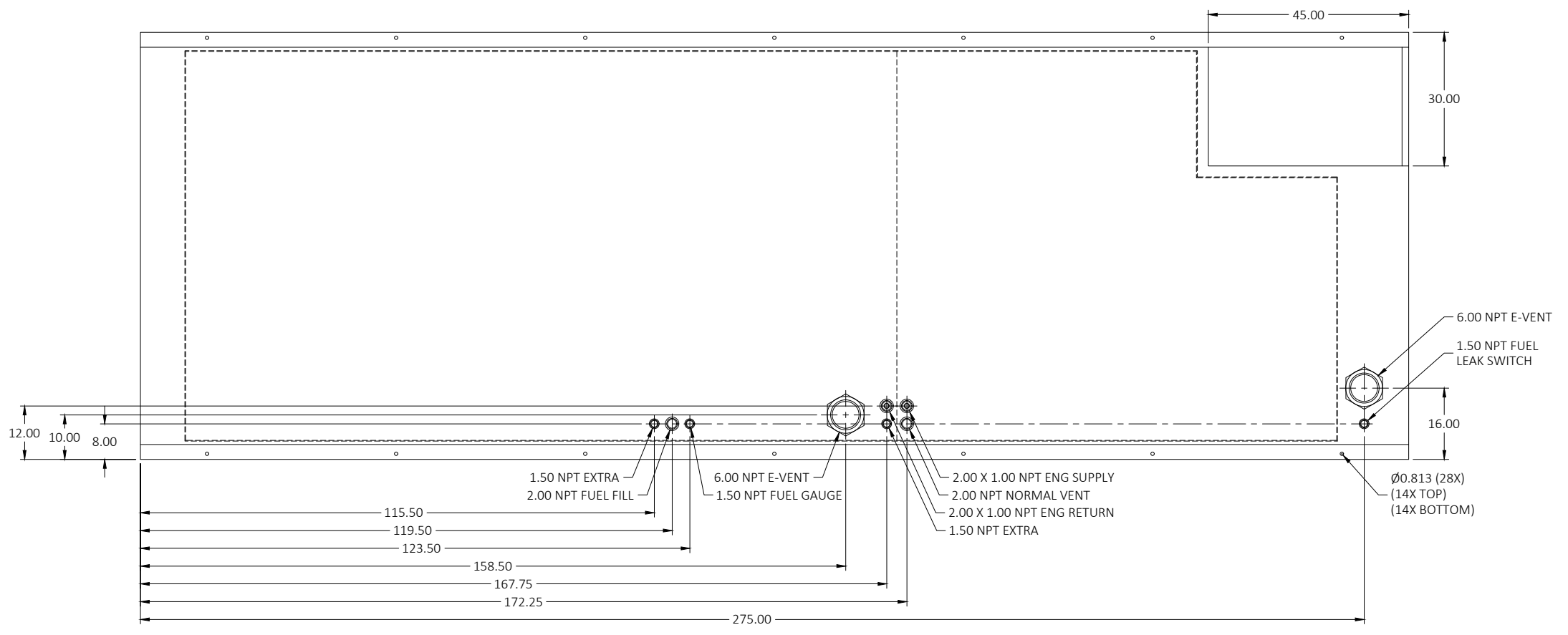
DO NOT SCALE DRAWING



TANK SB 1800GL DW SC UL/ULC W/ STUB-UP

NAME	DATE	SIZE	PART NUMBER:
CRC	12-12-22	B	19663
APPROVED:	CRC	SCALE: NONE	APPROX. WEIGHT: 6,200 LBS
	12-12-22		SHEET 1 OF 1

24HR / 1,800GL FUEL TANK
MD800-01, MD1000-01
LV3



- NOTES:
1. MATERIAL: PER UL/ULC REQUIREMENTS
 2. SECONDARY CONTAINMENT TANK
 3. TANK TO INCLUDE:
 - FUEL SUPPLY/RETURN DIP TUBES
 - LIFTING/TIE DOWN BRACKETS

MATERIAL: SEE NOTES FINISH: BLACK HAMMERED

R05	CONVERT TO SOLIDWORKS (3D)	05-11-20	CRC
LEVEL:	DESCRIPTION:	DATE:	BY:
REVISIONS:			
<small>THE INFORMATION CONTAINED IN THIS DRAWING IS THE SOLE PROPERTY OF BLUE STAR POWER SYSTEMS, INC. ANY REPRODUCTION, IN PART OR AS A WHOLE, WITHOUT THE WRITTEN PERMISSION IS PROHIBITED.</small>			
<small>2250 CARLSON DRIVE, NORTH MANKATO, MINNESOTA 56003 1 507 345 1776</small>			
TANK SB 1800GL DW SC UL/ULC W/ STUB-UP			
	NAME	DATE	SIZE PART NUMBER:
	CRC	12-12-22	B 20234
DIMENSIONS ARE IN INCHES	DRAWN BY:	APPROVED:	SCALE: NONE APPROX. WEIGHT: 7,200LBS SHEET 1 OF 1
DO NOT SCALE DRAWING	CRC	12-12-22	