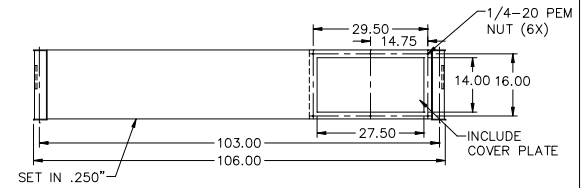
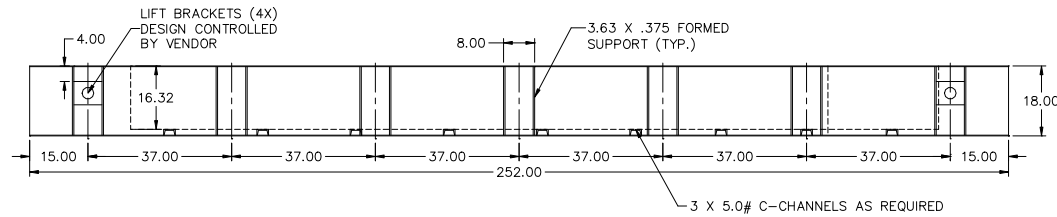
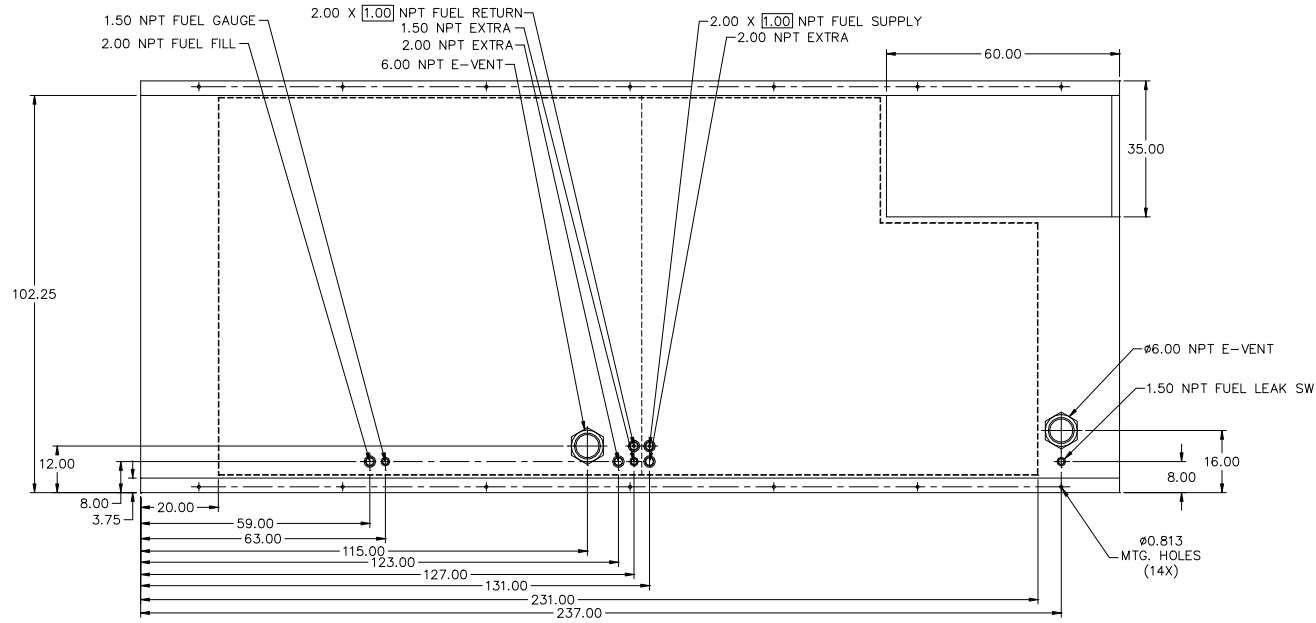


**12HR TANK
MD1250
LV0/LV1/LV2**



APPROXIMATE WEIGHT: 5400 LBS

- NOTES:
- MATERIAL: 7GA. RUPTURE BASIN
7GA. INNER TANK
 - SECONDARY CONTAINMENT TANK
 - FINISH PAINT GLOSS BLACK
 - TANK TO INCLUDE
 - FUEL SUPPLY / RETURN DIP TUBES
 - LIFTING / TIE DOWN BRACKETS
 - FUEL NPT SUPPLY/RETURN 2.00 X 1.00

REVISIONS:			
LEVEL:	DESCRIPTION:	DATE:	BY:
03	MOVE FITTINGS	08-02-17	KAP
02	MOVE FITTINGS FOR NEW RAD	06-20-17	KAP
01	ADDED TANK CHANNEL UNDER TANK	12-29-16	KDH

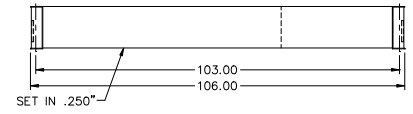
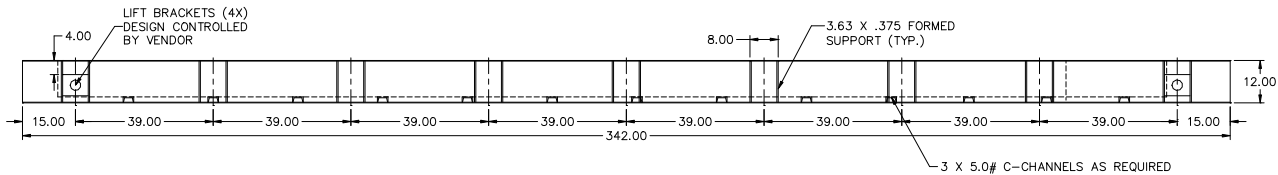
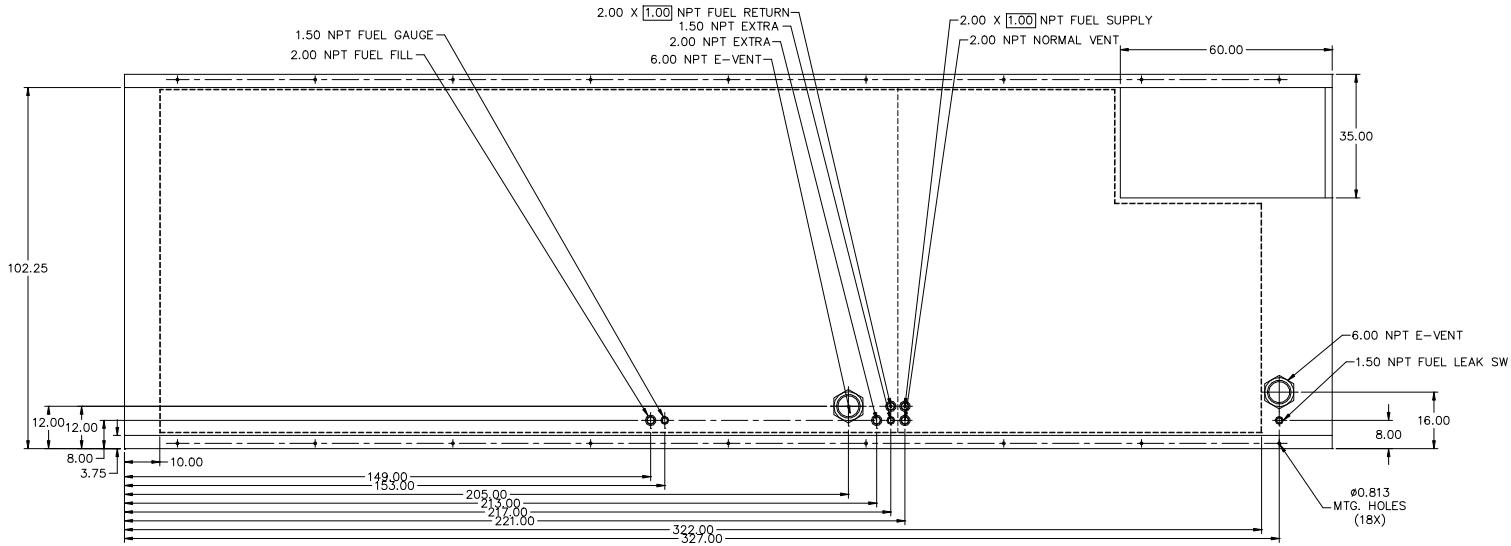


TANK SB 1250GL DW UL W/STUB-UP

P/N: 18482 252"L X 106"W X 18"H

DATE: 12-31-15 BY: KDH DRAWN TO SCALE

12HR TANK
MD1250
LV3



APPROXIMATE WEIGHT: 6600 LBS

- NOTES:
1. MATERIAL: 7GA. RUPTURE BASIN
7GA. INNER TANK
 2. SECONDARY CONTAINMENT TANK
 3. FINISH PAINT GLOSS BLACK
 4. TANK TO INCLUDE
 - FUEL SUPPLY / RETURN DIP TUBES
 - LIFTING / TIE DOWN BRACKETS
 5. FUEL NPT SUPPLY/RETURN 2.00 X 1.00

REVISIONS:			
LEVEL:	DESCRIPTION:	DATE:	BY:
NA	NA	NA	NA
BLUE STAR Power Systems Inc.			
TANK SB 1250GL DW UL W/STUB-UP			
P/N: NA	342"L X 106"W X 12"H		
DATE: 08-02-17	BY: KAP	DRAWN TO SCALE	